

Model

Designation **CU KLF7.7CND R290 230/1/50 CAP**



Sales code: 314H6004
Engineering code: CUKLF77CND0CE

Application Data

Power supply 220-240V / 50Hz 1~
Refrigerants R290
Refr. charge - tech. limit 200g / 7,1oz
Starter HST / capillary tube or expansion valve
Sound pressure (10m)

Generic data

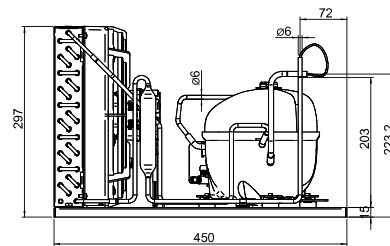
Voltage range 198 - 254V / 50Hz
Refrigerant R290
Application LBP+MBP

Rated performance pe=-10°C, Tsuc=20°C, Tamb=25°C, subcooling: 0K
Cooling capacity 689W / 2353Btu/h
Power consumption 313,2W
Current consumption 1,9A
COP/EER 2,2 / 7,51Btu/Wh

Approvals Eco design (EU) 2015/1095,
CE, UK CA, VDE

Compressor

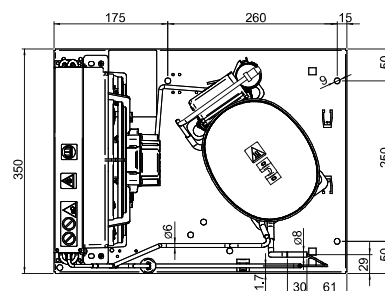
Designation **KLF7.7CND**
Motor configuration CSIR
Locked rotor amperage 12,3A
Rated load amperage 2,1A
Winding resistance main 8,4Ω
Winding resistance aux 11,9Ω
Oil quantity 152cm³ / 5,1fl.oz
Oil type POE
Horsepower rating 3/8 HP



Dimensions

Condensing unit

Height x Width x Depth 297 x 350 x 450 [mm] / 11,7 x 13,8 x 17,7 [in]
Weight 15,9kg / 35,1lbs
Suction adapter OD ø8mm / 1/3in
Discharge adapter OD ø6mm / 1/4in
Process connector ø6,2mm / 0,24in



Package data

Height x Width x Depth 340 x 372 x 570 [mm] / 13,4 x 14,6 x 22,4 [in]
Weight 18,9kg / 41,7lbs

Model

Designation **CU KLF7.7CND R290 230/1/50 CAP**

Sales code: 314H6004

Engineering code: CUKLF77CND0CE

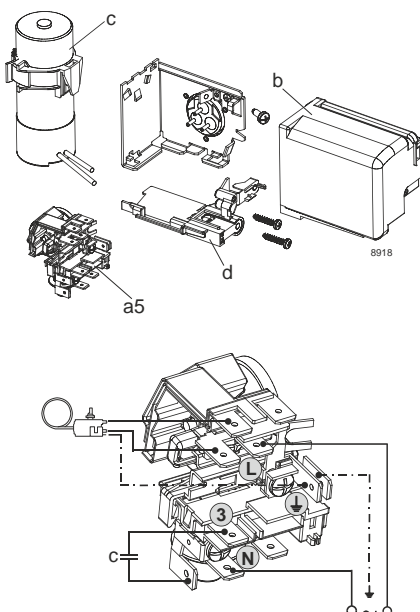
Components Condensing-Unit / Spare Parts

Component	Type	Spare part code number
Compressor code	KLF7.7CND	106H2800
Condenser	Condenser (3 rows x 11 tubes)	SP 314S0003
Fan motor	30W	MP 314S0016
Blade code	ø254mm 28°	SP 314S0027
Air flow	551,4m³/h	
Receiver code	not installed	-/-
Suction valve code	OD ø8mm / 1/3in	-/-
Liquid valve code	OD ø6mm / 1/4in	-/-

Compressor starting equipment	Spare part code number
pos. a5 - current relay TY (T0337/L6-S1)	117U7071
pos. c - start capacitor (80µF, 6.3mm)	117U5001
pos. b, d - cover + clamp + screws	103N0600

Wiring Sketch Compressor

CSIR



Model

Designation	CU KLF7.7CND R290 230/1/50 CAP	Sales code:	314H6004
		Engineering code:	CUKLF77CND0CE

Cooling performance - Conf. 1

Power supply	220-240V / 50Hz 1~	Voltage range	198 - 254V / 50Hz
Refr. charge - tech. limit	200g / 7,1oz		
Starter	HST / capillary tube or expansion valve		
Motor configuration	CSIR		
Refrigerant	R290		
Application	LBP+MBP		
Approvals	Eco design (EU) 2015/1095, CE, UK CA, VDE		

ambient temperature	[°C / °F]	25 / 77 (suction gas temperature [°C / °F]: 20 / 68, subcooling: 0K)						
evaporating temperature	[°C / °F]	-30 / -22	-25 / -13	-20 / -4	-10 / 14	0 / 32	5 / 41	10 / 50
cooling capacity	[W]	349	415	495	689	922	1050	1184
COP	[W/W]	1,62	1,75	1,9	2,2	2,49	2,63	2,75
cooling capacity	[Btu/h]	1190	1418	1690	2353	3150	3587	4042
power consumption	[W]	215	237	260	313	370	400	430
current consumption	[A]	1,5	1,6	1,7	1,9	2,1	2,2	2,3

ambient temperature	[°C / °F]	32 / 90 (suction gas temperature [°C / °F]: 20 / 68, subcooling: 0K)						
evaporating temperature	[°C / °F]	-30 / -22	-25 / -13	-20 / -4	-10 / 14	0 / 32	5 / 41	10 / 50
cooling capacity	[W]	309	374	451	634	851	968	1089
COP	[W/W]	1,32	1,46	1,61	1,89	2,15	2,27	2,37
cooling capacity	[Btu/h]	1054	1277	1540	2166	2905	3306	3719
power consumption	[W]	234	256	280	335	395	426	459
current consumption	[A]	1,6	1,7	1,8	2	2,2	2,3	2,5

ambient temperature	[°C / °F]	38 / 100 (suction gas temperature [°C / °F]: 20 / 68, subcooling: 0K)						
evaporating temperature	[°C / °F]	-30 / -22	-25 / -13	-20 / -4	-10 / 14	0 / 32	5 / 41	10 / 50
cooling capacity	[W]	276	340	413	586	786	893	1004
COP	[W/W]	1,13	1,27	1,4	1,66	1,88	1,98	2,06
cooling capacity	[Btu/h]	944	1161	1411	2000	2684	3051	3429
power consumption	[W]	244	268	294	352	417	451	487
current consumption	[A]	1,7	1,7	1,8	2	2,3	2,4	2,6

ambient temperature	[°C / °F]	43 / 109 (suction gas temperature [°C / °F]: 20 / 68, subcooling: 0K)						
evaporating temperature	[°C / °F]	-30 / -22	-25 / -13	-20 / -4	-10 / 14	0 / 32	5 / 41	
cooling capacity	[W]	252	313	383	545	731	829	
COP	[W/W]	1,02	1,14	1,26	1,49	1,67	1,75	
cooling capacity	[Btu/h]	860	1069	1307	1861	2495	2832	
power consumption	[W]	248	274	303	366	437	474	
current consumption	[A]	1,7	1,8	1,8	2,1	2,4	2,5	