

## Model

Designation **CU NL7CLX MG\_Z 230/1/50 CAP**



Sales code: 314L5000  
Engineering code: CUNL7CLX000CE

## Application Data

Power supply	220-240V / 50Hz 1~
Refrigerants	R404A-R452A
Refr. charge - tech. limit	400g / 14,1oz
Starter	HST / capillary tube or expansion valve
Sound pressure (10m)	29,5dB(A)

## Configuration data

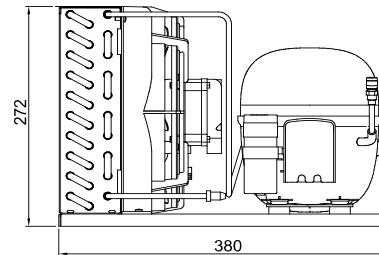
	Conf. 1	Conf. 2
Voltage range	198 - 254V / 50Hz	198 - 254V / 50Hz
Refrigerant	R404A	R452A
Application	LBP+MBP	LBP+MBP

Rated performance	<u>pe=-25°C, Tsuc=20°C, Tamb=25°C, subcooling: 2K</u>	
Cooling capacity	386W / 1318Btu/h	360W / 1228Btu/h
Power consumption	264,7W	247,9W
Current consumption	1,7A	1,6A
COP/EER	1,46 / 4,98Btu/Wh	1,45 / 4,95Btu/Wh

Approvals	Eco design (EU) 2015/1095, CE, UK CA, VDE	Eco design (EU) 2015/1095, CE, UK CA, VDE
-----------	--	--

## Compressor

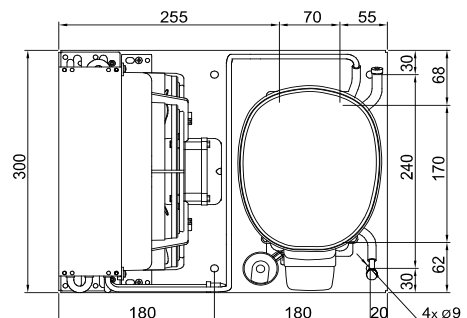
Designation	<b>NL7CLX</b>
Motor configuration	CSIR
Locked rotor amperage	11A
Rated load amperage	1,8A
Winding resistance main	8,7Ω
Winding resistance aux	13,8Ω
Oil quantity	300cm <sup>3</sup> / 10,1fl.oz
Oil type	POE
Horsepower rating	1/3 HP



## Dimensions

### Condensing unit

Height x Width x Depth	272 x 300 x 380 [mm] / 10,7 x 11,8 x 15 [in]
Weight	15,9kg / 35lbs
Suction adapter	OD ø8mm / 1/3in
Discharge adapter	OD ø6mm / 1/4in
Process connector	ø6,2mm / 0,24in



### Package data

Height x Width x Depth	350 x 400 x 500 [mm] / 13,8 x 15,7 x 19,7 [in]
Weight	18,9kg / 41,6lbs

## Model

Designation **CU NL7CLX MG\_Z 230/1/50 CAP**

Sales code: 314L5000  
Engineering code: CUNL7CLX000CE

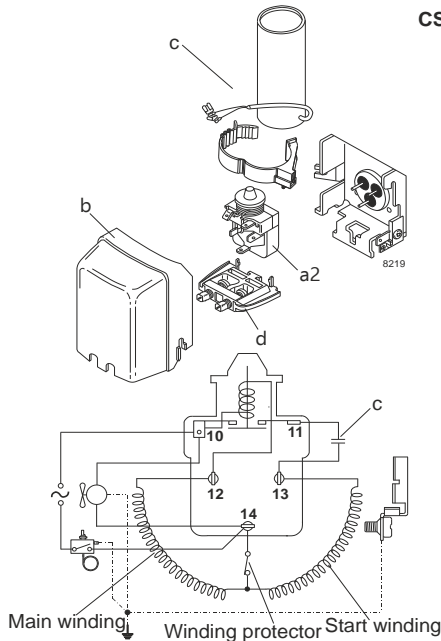
## Components Condensing-Unit / Spare Parts

Component	Type	Spare part code number
Compressor code	NL7CLX	105F3710
Condenser	Condenser (3 rows x 10 tubes)	SP 314S0002
Fan motor	10W	MP 314S0019
Blade code	ø230mm 28°	SP 314S0025
Air flow	462m³/h	
Receiver code	not installed	-/-
Suction valve code	OD ø8mm / 1/3in	-/-
Liquid valve code	OD ø6mm / 1/4in	-/-

Compressor starting equipment	Spare part code number
pos. a2 - assy. relay	117U6002
pos. c - start capacitor (80µF)	117U5015
pos. b - plastic cover	103N2010
pos. d - cord relief	103N1010

## Wiring Sketch Compressor

## Wiring Sketch Condensing Unit



## Model

Designation **CU NL7CLX MG\_Z 230/1/50 CAP**

Sales code: 314L5000

Engineering code: CUNL7CLX000CE

## Cooling performance - Conf. 1

Power supply	220-240V / 50Hz 1~	Voltage range	198 - 254V / 50Hz
Refr. charge - tech. limit	400g / 14,1oz		
Starter	HST / capillary tube or expansion valve		
Motor configuration	CSIR		
Refrigerant	R404A		
Application	LBP+MBP		
Approvals	Eco design (EU) 2015/1095, CE, UK CA, VDE		

ambient temperature	[°C / °F]	25 / 77 (suction gas temperature [°C / °F]: 20 / 68, subcooling: 2K)						
evaporating temperature	[°C / °F]	-45 / -49	-40 / -40	-35 / -31	-25 / -13	-20 / -4	-10 / 14	-5 / 23
cooling capacity	[W]	131	182	241	386	469	653	749
COP	[W/W]	0,83	1	1,16	1,46	1,57	1,69	1,69
cooling capacity	[Btu/h]	448	621	825	1318	1603	2229	2560
power consumption	[W]	158	182	207	265	299	387	442
current consumption	[A]	1,3	1,4	1,4	1,7	1,8	2,2	2,4

ambient temperature	[°C / °F]	32 / 90 (suction gas temperature [°C / °F]: 20 / 68, subcooling: 2K)						
evaporating temperature	[°C / °F]	-45 / -49	-40 / -40	-35 / -31	-25 / -13	-20 / -4	-10 / 14	-5 / 23
cooling capacity	[W]	118	163	215	343	416	577	662
COP	[W/W]	0,71	0,85	0,98	1,23	1,31	1,42	1,43
cooling capacity	[Btu/h]	402	556	736	1171	1421	1971	2261
power consumption	[W]	166	192	219	280	317	407	462
current consumption	[A]	1,4	1,4	1,5	1,7	1,9	2,2	2,5

ambient temperature	[°C / °F]	38 / 100 (suction gas temperature [°C / °F]: 20 / 68, subcooling: 2K)						
evaporating temperature	[°C / °F]	-45 / -49	-40 / -40	-35 / -31	-25 / -13	-20 / -4	-10 / 14	
cooling capacity	[W]	104	144	191	303	368	510	
COP	[W/W]	0,62	0,73	0,85	1,05	1,13	1,22	
cooling capacity	[Btu/h]	357	493	652	1036	1257	1742	
power consumption	[W]	168	196	225	289	327	419	
current consumption	[A]	1,4	1,4	1,5	1,8	1,9	2,3	

ambient temperature	[°C / °F]	43 / 109 (suction gas temperature [°C / °F]: 20 / 68, subcooling: 2K)						
evaporating temperature	[°C / °F]	-45 / -49	-40 / -40	-35 / -31	-25 / -13	-20 / -4		
cooling capacity	[W]	92	127	169	268	326		
COP	[W/W]	0,55	0,65	0,75	0,91	0,98		
cooling capacity	[Btu/h]	313	434	576	917	1114		
power consumption	[W]	166	195	226	293	331		
current consumption	[A]	1,4	1,4	1,5	1,8	1,9		

## Model

Designation **CU NL7CLX MG\_Z 230/1/50 CAP**

Sales code: 314L5000

Engineering code: CUNL7CLX000CE

## Cooling performance - Conf. 2

Power supply	220-240V / 50Hz 1~	Voltage range	198 - 254V / 50Hz
Refr. charge - tech. limit	400g / 14,1oz		
Starter	HST / capillary tube or expansion valve		
Motor configuration	CSIR		
Refrigerant	R452A		
Application	LBP+MBP		
Approvals	Eco design (EU) 2015/1095, CE, UK CA, VDE		

ambient temperature	[°C / °F]	25 / 77 (suction gas temperature [°C / °F]: 20 / 68, subcooling: 2K)						
evaporating temperature	[°C / °F]	-45 / -49	-40 / -40	-35 / -31	-25 / -13	-20 / -4	-10 / 14	-5 / 23
cooling capacity	[W]	116	164	220	360	441	624	722
COP	[W/W]	0,79	0,96	1,14	1,45	1,57	1,7	1,72
cooling capacity	[Btu/h]	396	559	752	1228	1507	2131	2466
power consumption	[W]	147	170	193	248	281	366	419
current consumption	[A]	1,2	1,3	1,4	1,6	1,8	2,1	2,3

ambient temperature	[°C / °F]	32 / 90 (suction gas temperature [°C / °F]: 20 / 68, subcooling: 2K)						
evaporating temperature	[°C / °F]	-45 / -49	-40 / -40	-35 / -31	-25 / -13	-20 / -4	-10 / 14	-5 / 23
cooling capacity	[W]	103	146	196	320	392	554	641
COP	[W/W]	0,68	0,82	0,96	1,22	1,32	1,44	1,46
cooling capacity	[Btu/h]	350	497	669	1093	1340	1892	2188
power consumption	[W]	152	178	204	262	298	385	440
current consumption	[A]	1,2	1,3	1,4	1,7	1,8	2,2	2,4

ambient temperature	[°C / °F]	38 / 100 (suction gas temperature [°C / °F]: 20 / 68, subcooling: 2K)						
evaporating temperature	[°C / °F]	-45 / -49	-40 / -40	-35 / -31	-25 / -13	-20 / -4	-10 / 14	
cooling capacity	[W]	90	129	174	284	348	492	
COP	[W/W]	0,58	0,71	0,83	1,05	1,13	1,24	
cooling capacity	[Btu/h]	308	439	593	969	1189	1679	
power consumption	[W]	154	181	209	271	307	397	
current consumption	[A]	1,2	1,3	1,5	1,7	1,9	2,2	

ambient temperature	[°C / °F]	43 / 109 (suction gas temperature [°C / °F]: 20 / 68, subcooling: 2K)						
evaporating temperature	[°C / °F]	-45 / -49	-40 / -40	-35 / -31	-25 / -13	-20 / -4		
cooling capacity	[W]	79	113	153	252	310		
COP	[W/W]	0,52	0,63	0,73	0,92	0,99		
cooling capacity	[Btu/h]	269	386	524	861	1057		
power consumption	[W]	151	180	209	274	312		
current consumption	[A]	1,2	1,3	1,5	1,7	1,9		