

Model

Designation **CU SC18CL MG_Z 230/1/50 VAL**



Sales code: 314L4005
Engineering code: CUSC18CL000VE

Application Data

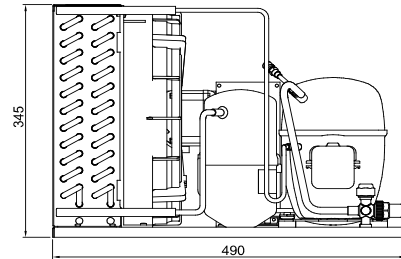
Power supply	220-240V / 50Hz 1~
Refrigerants	R404A-R452A
Refr. charge - tech. limit	1300g / 45,9oz
Starter	HST / capillary tube or expansion valve
Sound pressure (10m)	38,9dB(A)

Configuration data

	Conf. 1	Conf. 2
Voltage range	198 - 254V / 50Hz	198 - 254V / 50Hz
Refrigerant	R404A	R452A
Application	LBP+MBP	LBP+MBP
Rated performance	<u>pe=-25°C, Tsuc=20°C, Tamb=25°C, subccoling: 2K</u>	
Cooling capacity	845W / 2885Btu/h	791W / 2702Btu/h
Power consumption	602,3W	560,6W
Current consumption	3,6A	2,8A
COP/EER	1,4 / 4,79Btu/Wh	1,41 / 4,82Btu/Wh
Approvals	Eco design (EU) 2015/1095, CE, UK CA, VDE	Eco design (EU) 2015/1095, CE, UK CA, VDE

Compressor

Designation	SC18CL
Motor configuration	CSCR
Locked rotor amperage	20,43A
Rated load amperage	4,2A
Winding resistance main	3,7Ω
Winding resistance aux	14Ω
Oil quantity	550cm ³ / 18,6fl.oz
Oil type	POE
Horsepower rating	3/4 HP



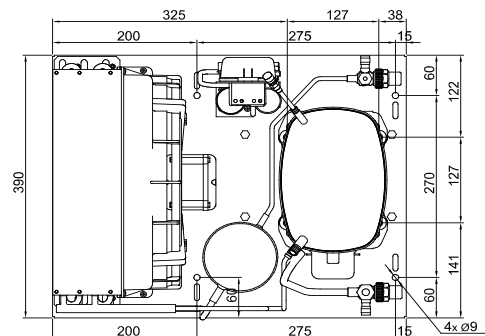
Dimensions

Condensing unit

Height x Width x Depth	345 x 390 x 490 [mm] / 13,6 x 15,4 x 19,3 [in]
Weight	24,4kg / 53,8lbs
Suction adapter	FLARE 3/8"
Discharge adapter	FLARE 1/4"
Process connector	ø6,2mm / 0,24in

Package data

Height x Width x Depth	400 x 500 x 600 [mm] / 15,7 x 19,7 x 23,6 [in]
Weight	28,4kg / 62,7lbs



Model

Designation **CU SC18CL MG_Z 230/1/50 VAL**

Sales code: 314L4005
Engineering code: CUSC18CL000VE

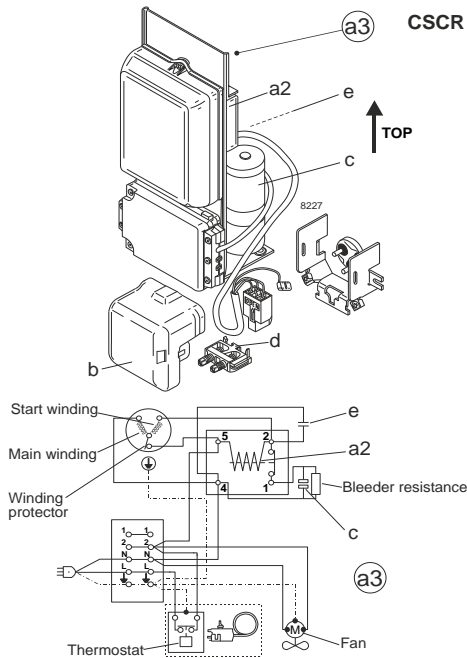
Components Condensing-Unit / Spare Parts

Component	Type	Spare part code number
Compressor code	SC18CL	104L2123
Condenser	Condenser (4 rows x 13 tubes)	SP 314S0005
Fan motor	16W	MP 314S0021
Blade code	ø300mm 19°	SP 314S0028
Air flow	769,8m³/h	
Receiver code	Receiver 1,3 liter	MP 314S0036
Suction valve code	FLARE 3/8"	FLARE 3/8"
Liquid valve code	FLARE 1/4"	FLARE 1/4"

Compressor starting equipment	Spare part code number
pos. a3 - SC starter kit (550mm)	117-7027
pos. b - plastic cover	103N2009
pos. d - cord relief	103N1004

Wiring Sketch Compressor

Wiring Sketch Condensing Unit



Model

Designation **CU SC18CL MG_Z 230/1/50 VAL**

Sales code: 314L4005

Engineering code: CUSC18CL000VE

Cooling performance - Conf. 1

Power supply	220-240V / 50Hz 1~	Voltage range	198 - 254V / 50Hz
Refr. charge - tech. limit	1300g / 45,9oz		
Starter	HST / capillary tube or expansion valve		
Motor configuration	CSCR		
Refrigerant	R404A		
Application	LBP+MBP		
Approvals	Eco design (EU) 2015/1095, CE, UK CA, VDE		

ambient temperature	[°C / °F]	25 / 77 (suction gas temperature [°C / °F]: 20 / 68, subcooling: 2K)						
evaporating temperature	[°C / °F]	-45 / -49	-40 / -40	-35 / -31	-25 / -13	-20 / -4	-10 / 14	-5 / 23
cooling capacity	[W]	298	407	535	845	1023	1413	1619
COP	[W/W]	0,91	1,05	1,18	1,4	1,48	1,56	1,57
cooling capacity	[Btu/h]	1019	1391	1828	2886	3493	4826	5529
power consumption	[W]	326	388	453	602	691	905	1032
current consumption	[A]	2,7	2,8	3	3,6	3,9	4,9	5,4

ambient temperature	[°C / °F]	32 / 90 (suction gas temperature [°C / °F]: 20 / 68, subcooling: 2K)						
evaporating temperature	[°C / °F]	-45 / -49	-40 / -40	-35 / -31	-25 / -13	-20 / -4	-10 / 14	-5 / 23
cooling capacity	[W]	237	337	452	730	889	1238	1422
COP	[W/W]	0,73	0,86	0,97	1,17	1,24	1,33	1,34
cooling capacity	[Btu/h]	809	1149	1544	2493	3037	4229	4856
power consumption	[W]	325	394	466	625	717	931	1058
current consumption	[A]	2,7	2,9	3,1	3,7	4	5	5,5

ambient temperature	[°C / °F]	38 / 100 (suction gas temperature [°C / °F]: 20 / 68, subcooling: 2K)						
evaporating temperature	[°C / °F]	-45 / -49	-40 / -40	-35 / -31	-25 / -13	-20 / -4	-10 / 14	
cooling capacity	[W]	187	279	384	635	778	1091	
COP	[W/W]	0,59	0,71	0,82	0,99	1,06	1,15	
cooling capacity	[Btu/h]	639	952	1311	2167	2656	3726	
power consumption	[W]	316	393	471	639	732	948	
current consumption	[A]	2,7	2,9	3,1	3,7	4,1	5,1	

ambient temperature	[°C / °F]	43 / 109 (suction gas temperature [°C / °F]: 20 / 68, subcooling: 2K)						
evaporating temperature	[°C / °F]	-45 / -49	-40 / -40	-35 / -31	-25 / -13	-20 / -4		
cooling capacity	[W]	148	232	329	557	688		
COP	[W/W]	0,49	0,6	0,7	0,86	0,93		
cooling capacity	[Btu/h]	504	794	1124	1904	2348		
power consumption	[W]	304	387	470	644	740		
current consumption	[A]	2,7	2,9	3,1	3,7	4,1		

Model

Designation **CU SC18CL MG_Z 230/1/50 VAL**

Sales code: 314L4005

Engineering code: CUSC18CL000VE

Cooling performance - Conf. 2

Power supply	220-240V / 50Hz 1~	Voltage range	198 - 254V / 50Hz
Refr. charge - tech. limit	1300g / 45,9oz		
Starter	HST / capillary tube or expansion valve		
Motor configuration	CSCR		
Refrigerant	R452A		
Application	LBP+MBP		
Approvals	Eco design (EU) 2015/1095, CE, UK CA, VDE		

ambient temperature	[°C / °F]	25 / 77 (suction gas temperature [°C / °F]: 20 / 68, subcooling: 2K)						
evaporating temperature	[°C / °F]	-45 / -49	-40 / -40	-35 / -31	-25 / -13	-20 / -4	-10 / 14	-5 / 23
cooling capacity	[W]	267	370	492	791	967	1357	1567
COP	[W/W]	0,9	1,04	1,18	1,41	1,5	1,59	1,6
cooling capacity	[Btu/h]	911	1262	1679	2702	3301	4636	5352
power consumption	[W]	296	356	418	561	645	852	978
current consumption	[A]	1,4	1,8	2,1	2,8	3,1	4	4,6

ambient temperature	[°C / °F]	32 / 90 (suction gas temperature [°C / °F]: 20 / 68, subcooling: 2K)						
evaporating temperature	[°C / °F]	-45 / -49	-40 / -40	-35 / -31	-25 / -13	-20 / -4	-10 / 14	-5 / 23
cooling capacity	[W]	209	303	414	684	842	1193	1381
COP	[W/W]	0,72	0,84	0,97	1,18	1,26	1,36	1,38
cooling capacity	[Btu/h]	713	1036	1415	2338	2875	4073	4716
power consumption	[W]	292	360	429	582	670	879	1004
current consumption	[A]	1,4	1,8	2,2	2,9	3,2	4,1	4,7

ambient temperature	[°C / °F]	38 / 100 (suction gas temperature [°C / °F]: 20 / 68, subcooling: 2K)						
evaporating temperature	[°C / °F]	-45 / -49	-40 / -40	-35 / -31	-25 / -13	-20 / -4	-10 / 14	
cooling capacity	[W]	163	250	351	596	738	1054	
COP	[W/W]	0,58	0,7	0,81	1	1,08	1,18	
cooling capacity	[Btu/h]	555	853	1200	2035	2521	3601	
power consumption	[W]	283	358	433	594	684	896	
current consumption	[A]	1,5	1,9	2,2	2,9	3,3	4,2	

ambient temperature	[°C / °F]	43 / 109 (suction gas temperature [°C / °F]: 20 / 68, subcooling: 2K)						
evaporating temperature	[°C / °F]	-45 / -49	-40 / -40	-35 / -31	-25 / -13	-20 / -4		
cooling capacity	[W]	126	208	301	524	654		
COP	[W/W]	0,47	0,59	0,7	0,87	0,95		
cooling capacity	[Btu/h]	431	709	1027	1790	2232		
power consumption	[W]	270	350	430	599	692		
current consumption	[A]	1,5	1,9	2,2	2,9	3,3		