

Model

Designation	HAD35AA	220-240V/50Hz ~	Sales code:	CDO00205
-------------	----------------	------------------------	-------------	-----------------

Compressor design

Oil type	Mineral	Refrigerant(s)	R600a
Oil viscosity	2,3cSt	Displacement	3,5cm ³ / 0,21cu.in
Oil quantity	77cm ³ / 2,6fl.oz	Compressors on pallet	168
Refr. charge - tech. limit	150g / 5,3oz		
Free gas volume comp.	837cm ³ / 28,3fl.oz		
Weight	3,7kg / 8,2lbs		
Motor protection	external		
Winding resistance main	74,4Ω (at 25°C)		
Winding resistance aux	72,7Ω (at 25°C)		
Max. winding temp.	120°C / 248°F		
Max. discharge temp.	120°C / 248°F		



General - Configurations with HAD35AA

	Conf. 1
Motorconfiguration	RSCR
Power supply (nominal)	220-240V/50Hz
Number of phases	1
Voltage range	187-264V
Approvals	VDE
Starting torque	LST
Note	Electrical equipment will be pre-assembled to compressor.

Applications with HAD35AA

	Conf. 1
Refrigerant	R600a
Application	LBP
System cooling	static
Hot gas defrost	-/-
Long interval pull down	-/-

Electrical data - Configurations with HAD35AA

	Conf. 1
Starting device type	PTC
Run capacitor	1,5μF
Start capacitor	-/-
LRA (locked rotor amps / 4s)	1,2A
RLA (rated load amps / 1s)	
Cut in current	2,69A
IP class	21

Model

Designation

HAD35AA

220-240V/50Hz ~

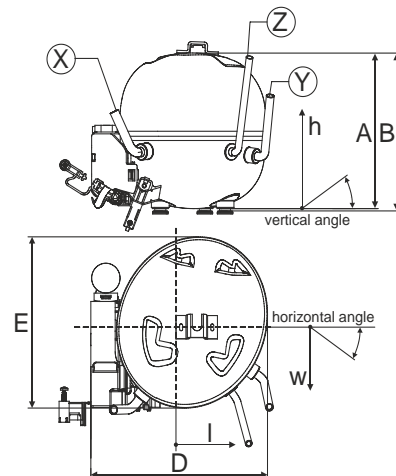
Sales code:

CDO00205

Compressor dimensions

Housing	A Height	133mm / 5,24in
	B Height	134,5mm / 5,3in
	C Length shell	135mm / 5,31in
	D Length w. cover	159mm / 6,26in
	E Width	147mm / 5,79in

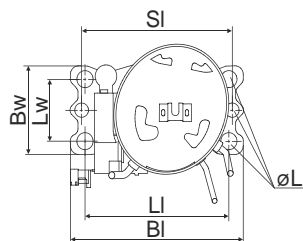
Connectors		Suction	Discharge	Process
		X	Y	Z
Diameter	[mm]	øi 6,1-6,3	øi 4,9-5,1	øo 5,92-6,08
	(i:inside, o:outside) [in]	øi 0,24-0,25	øi 0,19-0,2	øo 0,23-0,24
Material		copper	steel/CU	copper
Horizontal angle	±2°	0°	80°	74°
Vertical angle	±2°	79°	79°	72°
Position l/h/w	[mm]	-54/83/74	87/96/72	69/130/103
	[in]	-2,1/3,3/2,9	3,4/3,8/2,8	2,7/5,1/4,1
Straight tube l.	[mm]	14	14	14
	[in]	0,5	0,5	0,5



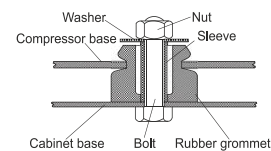
Compressor fixation

Adapter plate

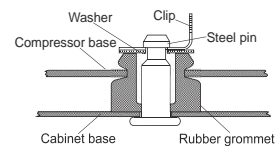
Bolt joint



Baseplate	[mm]	[inch]
BI	204	8.03
Bw	100	3.94
Large holes	[mm]	[inch]
LI	170	6.7
Lw	70	2.76
SI	178	7
øL	ø 16	ø 0.63



Snap-on



For standard mounting	one comp.	multi pack
Adapter plate	157008_	
Bolt joint M6 ø16mm	118-1917	118-1918
Bolt joint ø1/4" ø16mm	118-1946	
Snap-on ø7,3 ø16mm	118-1947	118-1919

Application notes

Various options of housing are possible (dip-tray fixture) - please contact SECOP-Sales.

Various options of connectors are possible - please contact SECOP-Sales.

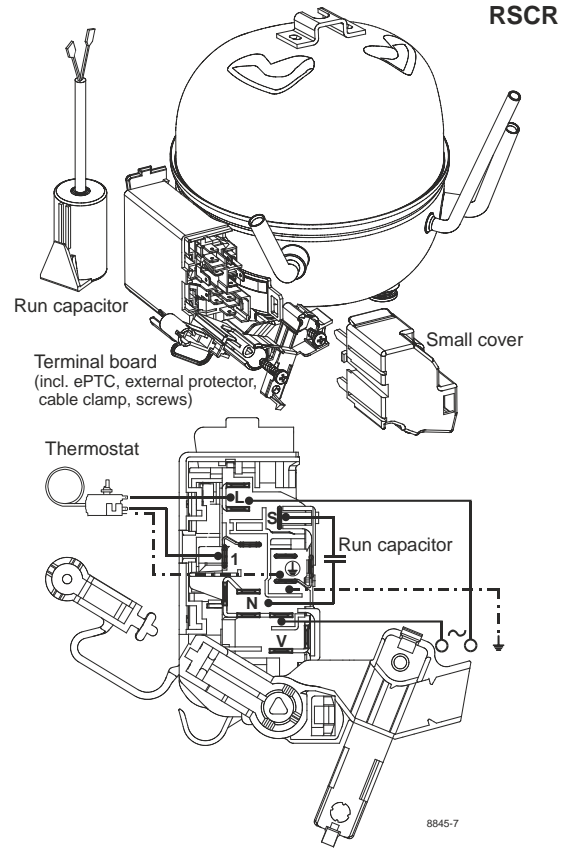
Model

Designation **HAD35AA** **220-240V/50Hz** Conf. 1 Sales code: **CDO00205**

Configuration

Motorconfiguration RSCR
 Power supply (nominal) 220-240V/50Hz 1~
 Refrigerant R600a
 Application LBP
 Voltage range 187-264V
 Starting torque LST
 Approvals VDE

Electrical accessories / wiring diagram

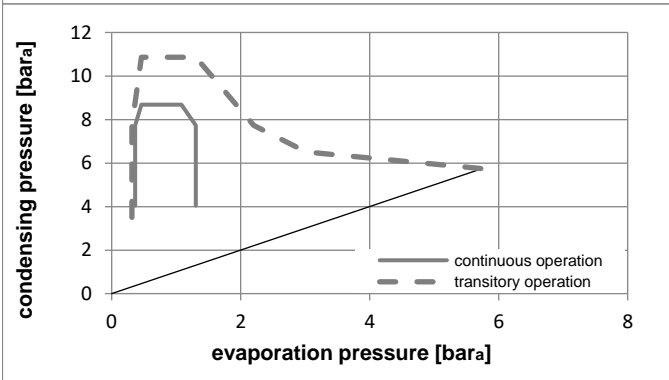
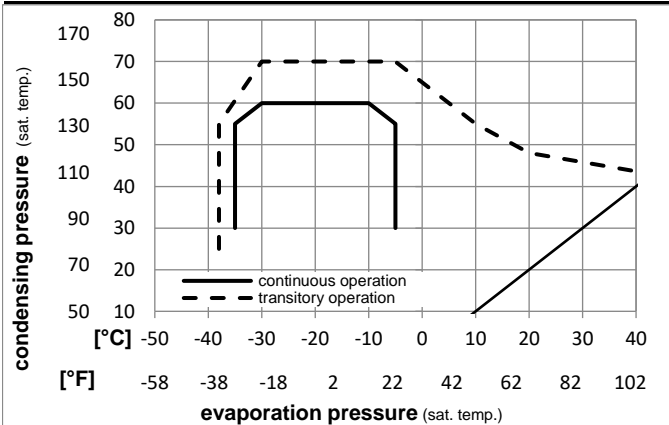


Ambient temperatures / system cooling

Ambient temperature min.: 10°C / 50°F
 Ambient temperature max.: 43°C / 110°F

System cooling (n/a: outside limits)			
T ambient	LBP	MBP	HBP
32°C / 90°F	static	n/a	n/a
38°C / 100°F	static	n/a	n/a
43°C / 110°F	static	n/a	n/a

Operation pressure range



Components (will be pre-assembled)

- terminal board (ePTC,4.8mm) BX E7
- motor protector BDG AE 90 AHM x E7
- run capacitor (1,5µF, 4.8mm) cap. 1,5µF
- cover terminal board 160943_

Model

Designation **HAD35AA 220-240V/50Hz** Conf. 1 Sales code: **CDO00205**

Optimization + standard conditions

220V/50Hz, RSCR, static, VDE

	Evaporating pressure (saturation temperature)				Condensing pressure (saturation temperature)						Power consumption			Ref. mass flow m
	pe	pc	RGT	Tliq	Cooling capacity			COP	EER		P1	I		
	[°C]	[°F]	[°C]	[°C]	[W]	[Btu/h]	[kcal/h]	[W/W]	[Btu/Wh]	[kcal/Wh]	[W]	[A]	[kg/h]	
	-23,3	45	32,2	32,2	65,5	224	56,4	2,13	7,27	1,83	30,8	0,14	0,70	opt
	-9,94	113	90	90										
	-23,3	54,4	32,2	32,2	60,9	208	52,4	1,89	6,46	1,63	32,2	0,15	0,65	ASHRAE LBP
	-10	130	90	90										
	-25	55	32	55	45,1	154	38,8	1,48	5,05	1,27	30,5	0,14	0,59	cecomaf LBP
	-13	131	89,6	131										
	-23,3	48,9	4,44	48,9	50,1	171	43,1	1,59	5,44	1,37	31,4	0,14	0,73	ARI540 LBP
	-10	120	40	120										
	-23,3	40,6	32,2	32,2	67,5	230	58,1	2,26	7,73	1,95	29,8	0,13	0,72	AHAM LBP
	-10	105	90	90										
	-35	45	32	45	28,3	97	24,4	1,40	4,78	1,21	20,2	0,09	0,34	opt
	-31	113	89,6	113										

Performance tables

220V/50Hz, RSCR, static, VDE

	pe	Cooling capacity			COP	EER		P1	I	m	
	[°C]	[°F]	[W]	[Btu/h]	[kcal/h]	[W/W]	[Btu/Wh]	[kcal/Wh]	[W]	[A]	[kg/h]
[°C / °F]	-35	-31	28,3	97	24,4	1,40	4,78	1,21	20,2	0,09	0,34
cond. pressure	-30	-22	39,7	136	34,1	1,59	5,42	1,37	25,0	0,11	0,47
pc= 45/113	-25	-13	53,7	183	46,2	1,83	6,25	1,57	29,3	0,13	0,64
return gas temp.	-23,3	-10	59,1	202	50,8	1,92	6,56	1,65	30,8	0,14	0,70
RGT= 32/90	-20	-4	70,5	241	60,7	2,11	7,19	1,81	33,5	0,15	0,84
liquid temp	-15	5	90,4	309	77,8	2,40	8,21	2,07	37,6	0,17	1,08
Tliq= 45/113	-5	23	140,4	480	120,9	3,00	10,24	2,58	46,9	0,21	1,69
[°C / °F]	-35	-31	22,0	75	18,9	1,12	3,82	0,96	19,7	0,09	0,29
cond. pressure	-30	-22	32,4	111	27,9	1,28	4,38	1,10	25,2	0,11	0,42
pc= 55/131	-25	-13	45,1	154	38,8	1,48	5,05	1,27	30,5	0,14	0,59
return gas temp	-23,3	-10	50,0	171	43,0	1,55	5,29	1,33	32,3	0,15	0,65
RGT= 32/90	-20	-4	60,4	206	52,0	1,69	5,78	1,46	35,7	0,16	0,79
liquid temp	-15	5	78,5	268	67,5	1,91	6,53	1,65	41,1	0,19	1,03
Tliq= 55/131	-5	23	124,1	424	106,8	2,34	7,98	2,01	53,1	0,24	1,63