

## Model

Designation	<b>HXD35AA</b>	<b>220-240V/50Hz ~</b>	Sales code:	<b>CDO00212</b>
-------------	----------------	------------------------	-------------	-----------------

## Compressor design

Oil type	Mineral	Refrigerant(s)	<b>R600a</b>
Oil viscosity	2,3cSt	Displacement	3,5cm <sup>3</sup> / 0,21cu.in
Oil quantity	77cm <sup>3</sup> / 2,6fl.oz	Compressors on pallet	168
Refr. charge - tech. limit	150g / 5,3oz		
Free gas volume comp.	837cm <sup>3</sup> / 28,3fl.oz		
Weight	3,7kg / 8,2lbs		
Motor protection	external		
Winding resistance main	82,8Ω (at 25°C)		
Winding resistance aux	63,7Ω (at 25°C)		
Max. winding temp.	120°C / 248°F		
Max. discharge temp.	120°C / 248°F		



## General - Configurations with HXD35AA

	<b>Conf. 1</b>
Motorconfiguration	RSCR
Power supply (nominal)	220-240V/50Hz
Number of phases	1
Voltage range	187-264V
Approvals	VDE
Starting torque	LST
Note	Electrical equipment will be pre-assembled to compressor.

## Applications with HXD35AA

	<b>Conf. 1</b>
Refrigerant	R600a
Application	LBP
System cooling	static
Hot gas defrost	-/-
Long interval pull down	-/-

## Electrical data - Configurations with HXD35AA

	<b>Conf. 1</b>
Starting device type	PTC
Run capacitor	1,5μF
Start capacitor	-/-
LRA (locked rotor amps / 4s)	1,4A
RLA (rated load amps / 1s)	
Cut in current	3,8A
IP class	21

## Model

Designation

**HXD35AA**

220-240V/50Hz ~

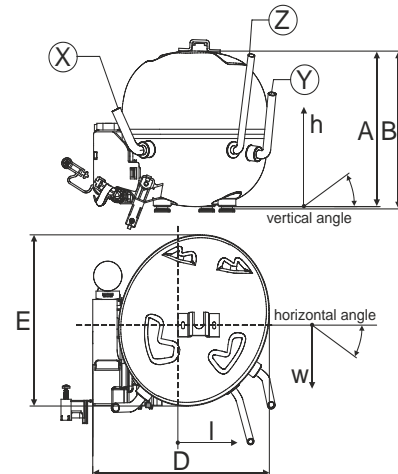
Sales code:

**CDO00212**

## Compressor dimensions

Housing	A Height	133mm / 5,24in
	B Height	134,5mm / 5,3in
	C Length shell	135mm / 5,31in
	D Length w. cover	159mm / 6,26in
	E Width	147mm / 5,79in

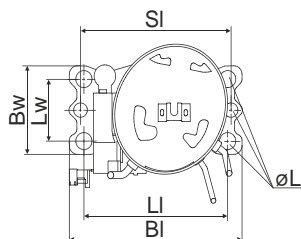
Connectors		Suction	Discharge	Process
		X	Y	Z
Diameter	[mm]	øi 6,1-6,3	øi 4,9-5,1	øo 5,92-6,08
(i:inside, o:outside)	[in]	øi 0,24-0,25	øi 0,19-0,2	øo 0,23-0,24
Material		copper	steel/CU	copper
Horizontal angle	±2°	0°	80°	74°
Vertical angle	±2°	79°	79°	72°
Position l/h/w	[mm]	-54/83/74	87/96/72	69/130/103
	[in]	-2,1/3,3/2,9	3,4/3,8/2,8	2,7/5,1/4,1
Straight tube l.	[mm]	14	14	14
	[in]	0,5	0,5	0,5



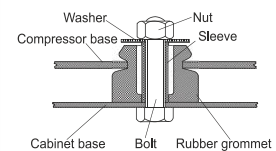
## Compressor fixation

### Adapter plate

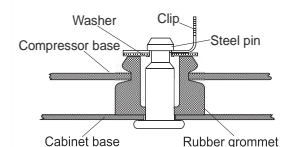
### Bolt joint



Baseplate	[mm]	[inch]
BI	204	8.03
Bw	100	3.94
Large holes	[mm]	[inch]
LI	170	6.7
LW	70	2.76
SI	178	7
øL	ø 16	ø 0.63



### Snap-on



For standard mounting	one comp.	multi pack
Adapter plate	157008_	
Bolt joint   M6   ø16mm	118-1917	118-1918
Bolt joint   ø1/4"   ø16mm	118-1946	
Snap-on   ø7,3   ø16mm	118-1947	118-1919

## Application notes

Various options of housing are possible (dip-tray fixture) - please contact SECOP-Sales.

Various options of connectors are possible - please contact SECOP-Sales.

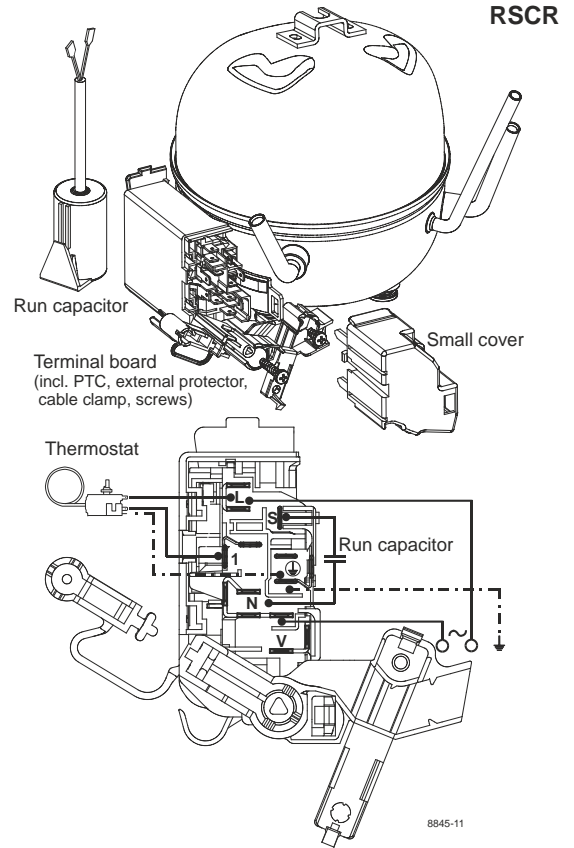
## Model

Designation **HXD35AA** **220-240V/50Hz** Conf. 1 Sales code: **CDO00212**

## Configuration

Motorconfiguration **RSCR**  
 Power supply (nominal) **220-240V/50Hz 1~**  
 Refrigerant **R600a**  
 Application **LBP**  
 Voltage range **187-264V**  
 Starting torque **LST**  
 Approvals **VDE**

## Electrical accessories / wiring diagram

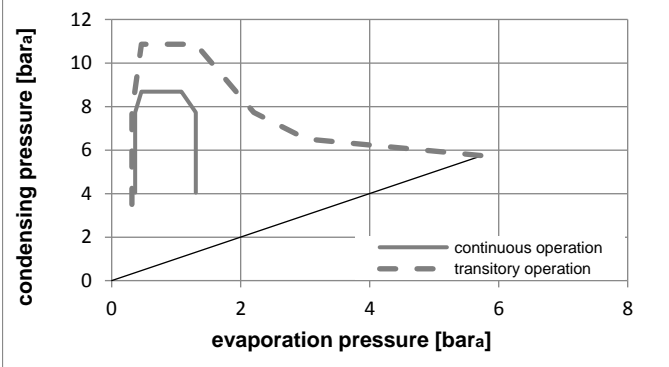
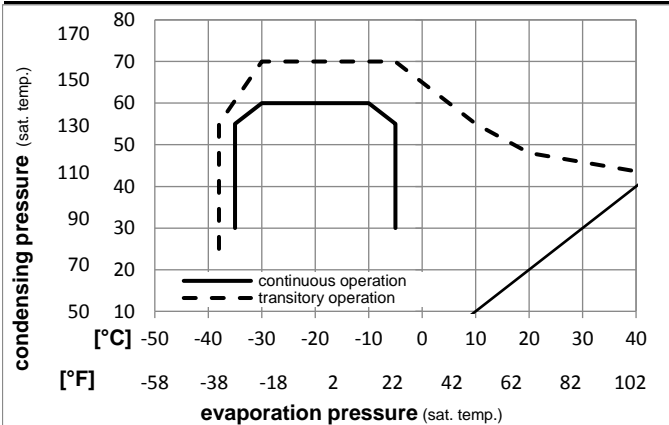


## Ambient temperatures / system cooling

Ambient temperature min.: **10°C / 50°F**  
 Ambient temperature max.: **43°C / 110°F**

System cooling (n/a: outside limits)			
T ambient	LBP	MBP	HBP
32°C / 90°F	static	n/a	n/a
38°C / 100°F	static	n/a	n/a
43°C / 110°F	static	n/a	n/a

## Operation pressure range



## Components (will be pre-assembled)

- terminal board (PTC,4.8mm) **BN E7**
- motor protector BDG AE 90 AHM x **E7**
- run capacitor (1,5µF, 4.8mm) **cap. 1,5µF**
- cover terminal board **160943\_**

## Model

Designation **HXD35AA 220-240V/50Hz** Conf. 1 Sales code: **CDO00212**

## Optimization + standard conditions

220V/50Hz, RSCR, static, VDE

	Evaporating pressure (saturation temperature)				Condensing pressure (saturation temperature)						Power consumption				Ref. mass flow
	pe	pc	RGT	Tliq	Cooling capacity			COP	EER			P1	I	m	
	[°C]	[°F]	[°C]	[°C]	[W]	[Btu/h]	[kcal/h]	[W/W]	[Btu/Wh]	[kcal/Wh]	[W]	[A]	[kg/h]		
	-23,3	45	32,2	32,2	65,7	224	56,5	2,01	6,88	1,73	32,6	0,15	0,70	opt	
	-9,94	113	90	90											
	-23,3	54,4	32,2	32,2	60,0	205	51,7	1,76	6,03	1,52	34,0	0,16	0,64	ASHRAE LBP	
	-10	130	90	90											
	-25	55	32	55	44,5	152	38,3	1,38	4,72	1,19	32,2	0,15	0,58	cecomaf LBP	
	-13	131	89,6	131											
	-23,3	48,9	4,44	48,9	49,7	170	42,7	1,49	5,10	1,29	33,2	0,15	0,73	ARI540 LBP	
	-10	120	40	120											
	-23,3	40,6	32,2	32,2	68,4	234	58,9	2,15	7,36	1,85	31,8	0,14	0,73	AHAM LBP	
	-10	105	90	90											
	-35	45	32	45	28,4	97	24,4	1,34	4,58	1,15	21,2	0,09	0,34	opt	
	-31	113	89,6	113											

## Performance tables

220V/50Hz, RSCR, static, VDE

	pe	Cooling capacity			COP	EER			P1	I	m
	[°C]	[°F]	[W]	[Btu/h]	[kcal/h]	[W/W]	[Btu/Wh]	[kcal/Wh]	[W]	[A]	[kg/h]
[°C / °F]	-35	-31	28,4	97	24,4	1,34	4,58	1,15	21,2	0,09	0,34
cond. pressure	-30	-22	40,1	137	34,5	1,52	5,21	1,31	26,3	0,12	0,48
pc= 45/113	-25	-13	53,9	184	46,4	1,74	5,93	1,49	31,0	0,14	0,64
return gas temp.	-23,3	-10	59,2	202	51,0	1,82	6,20	1,56	32,6	0,15	0,71
RGT= 32/90	-20	-4	70,5	241	60,7	1,98	6,77	1,71	35,6	0,16	0,84
liquid temp	-15	5	90,5	309	77,9	2,26	7,73	1,95	40,0	0,19	1,08
Tliq= 45/113	-5	23	143,3	489	123,3	2,92	9,96	2,51	49,2	0,22	1,72
[°C / °F]	-35	-31	20,5	70	17,6	0,99	3,37	0,85	20,8	0,09	0,27
cond. pressure	-30	-22	31,7	108	27,3	1,19	4,07	1,03	26,6	0,12	0,41
pc= 55/131	-25	-13	44,5	152	38,3	1,38	4,72	1,19	32,2	0,15	0,58
return gas temp	-23,3	-10	49,3	169	42,5	1,45	4,94	1,24	34,1	0,16	0,64
RGT= 32/90	-20	-4	59,5	203	51,2	1,58	5,39	1,36	37,7	0,18	0,78
liquid temp	-15	5	77,3	264	66,6	1,79	6,10	1,54	43,3	0,20	1,01
Tliq= 55/131	-5	23	124,0	424	106,7	2,25	7,70	1,94	55,0	0,24	1,63