

Model

Designation	HZD40AA	220-240V/50Hz ~	Sales code:	CDO00196
-------------	----------------	-----------------	-------------	-----------------

Compressor design

Oil type	Mineral	Refrigerant(s)	R600a
Oil viscosity	2,3cSt	Displacement	4cm ³ / 0,24cu.in
Oil quantity	77cm ³ / 2,6fl.oz	Compressors on pallet	168
Refr. charge - tech. limit	150g / 5,3oz		
Free gas volume comp.	837cm ³ / 28,3fl.oz		
Weight	3,8kg / 8,4lbs		
Motor protection	external		
Winding resistance main	61,9Ω (at 25°C)		
Winding resistance aux	42,1Ω (at 25°C)		
Max. winding temp.	120°C / 248°F		
Max. discharge temp.	120°C / 248°F		



General - Configurations with HZD40AA

	Conf. 1
Motorconfiguration	RSCR
Power supply (nominal)	220-240V/50Hz
Number of phases	1
Voltage range	187-264V
Approvals	VDE
Starting torque	LST
Note	Electrical equipment will be pre-assembled to compressor.

Applications with HZD40AA

	Conf. 1
Refrigerant	R600a
Application	LBP
System cooling	static
Hot gas defrost	-/-
Long interval pull down	-/-

Electrical data - Configurations with HZD40AA

	Conf. 1
Starting device type	PTC
Run capacitor	2μF
Start capacitor	-/-
LRA (locked rotor amps / 4s)	1,37A
RLA (rated load amps / 1s)	
Cut in current	3,51A
IP class	21

Model

Designation

HZD40AA

220-240V/50Hz ~

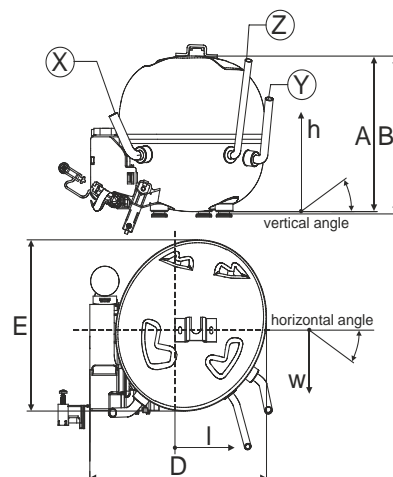
Sales code:

CDO00196

Compressor dimensions

Housing	A Height	133mm / 5,24in
	B Height	134,5mm / 5,3in
	C Length shell	135mm / 5,31in
	D Length w. cover	159mm / 6,26in
	E Width	147mm / 5,79in

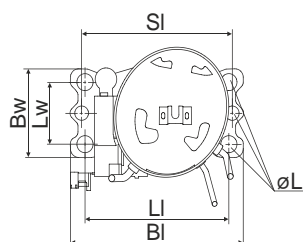
Connectors		Suction	Discharge	Process
		X	Y	Z
Diameter	[mm]	øi 6,1-6,3	øi 4,9-5,1	øo 5,92-6,08
(i:inside, o:outside)	[in]	øi 0,24-0,25	øi 0,19-0,2	øo 0,23-0,24
Material		copper	steel/CU	copper
Horizontal angle	±2°	0°	80°	74°
Vertical angle	±2°	79°	79°	72°
Position l/h/w	[mm]	-54/83/74	87/96/72	69/130/103
	[in]	-2,1/3,3/2,9	3,4/3,8/2,8	2,7/5,1/4,1
Straight tube l.	[mm]	14	14	14
	[in]	0,5	0,5	0,5



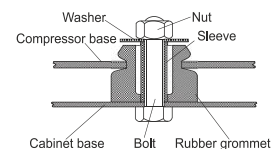
Compressor fixation

Adapter plate

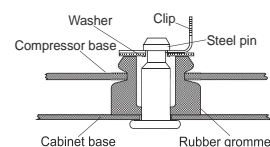
Bolt joint



Baseplate	[mm]	[inch]
BI	204	8.03
Bw	100	3.94
Large holes	[mm]	[inch]
LI	170	6.7
Lw	70	2.76
SI	178	7
øL	ø 16	ø 0.63



Snap-on



For standard mounting	one comp.	multi pack
Adapter plate	157008_	
Bolt joint M6 ø16mm	118-1917	118-1918
Bolt joint ø1/4" ø16mm	118-1946	
Snap-on ø7,3 ø16mm	118-1947	118-1919

Application notes

Various options of housing are possible (dip-tray fixture) - please contact SECOP-Sales.

Various options of connectors are possible - please contact SECOP-Sales.

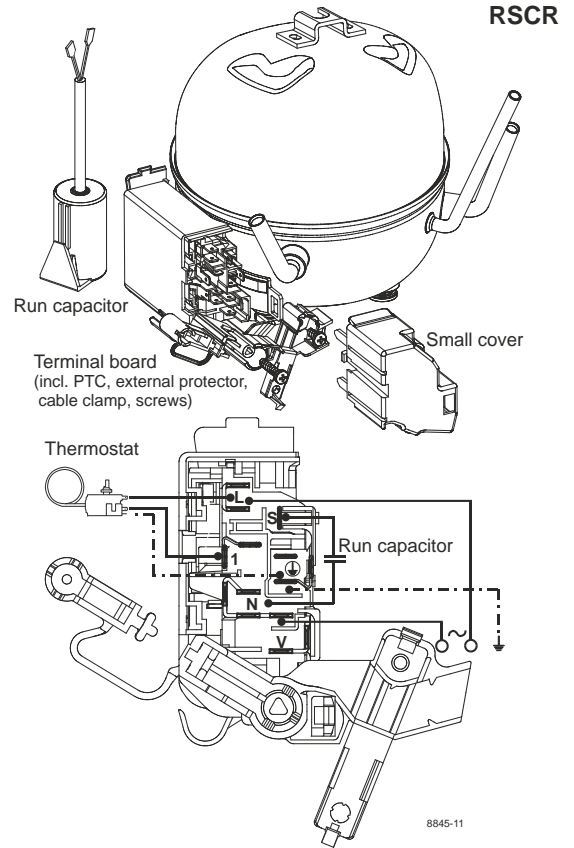
Model

Designation **HZD40AA** **220-240V/50Hz** Conf. 1 Sales code: **CDO00196**

Configuration

Motorconfiguration RSCR
 Power supply (nominal) 220-240V/50Hz 1~
 Refrigerant R600a
 Application LBP
 Voltage range 187-264V
 Starting torque LST
 Approvals VDE

Electrical accessories / wiring diagram

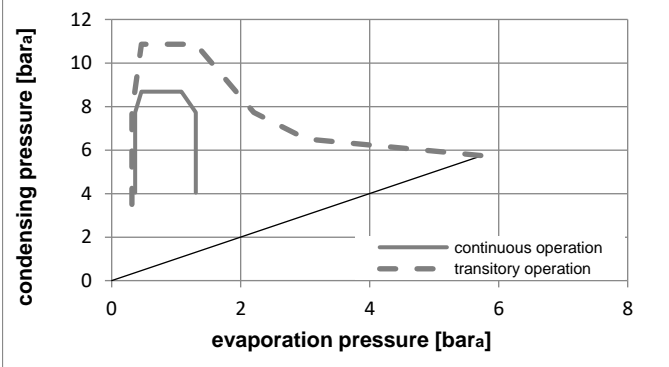
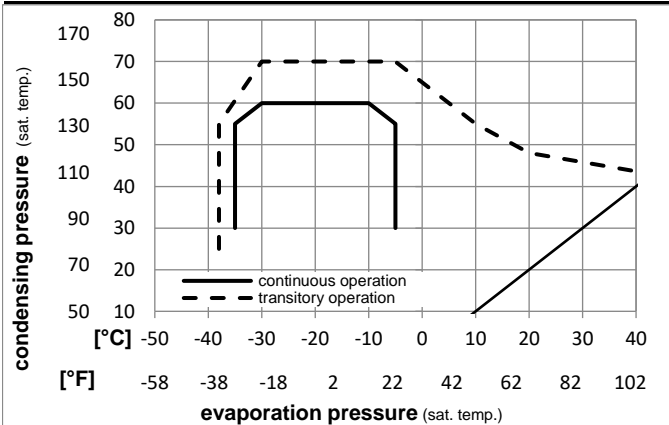


Ambient temperatures / system cooling

Ambient temperature min.: 10°C / 50°F
 Ambient temperature max.: 43°C / 110°F

System cooling (n/a: outside limits)			
T ambient	LBP	MBP	HBP
32°C / 90°F	static	n/a	n/a
38°C / 100°F	static	n/a	n/a
43°C / 110°F	static	n/a	n/a

Operation pressure range



Components (will be pre-assembled)

- terminal board (PTC,4.8mm) BN E6
- motor protector BDG AE 88 AHM x E6
- run capacitor (2µF, 4.8mm) cap. 2µF
- cover terminal board 160943_

Model

Designation **HZD40AA 220-240V/50Hz** Conf. 1 Sales code: **CDO00196**

Optimization + standard conditions

220V/50Hz, RSCR, static, VDE

	Evaporating pressure (saturation temperature)				Condensing pressure (saturation temperature)						Power consumption			Ref. mass flow
	pe	pc	RGT	Tliq	Cooling capacity			COP	EER	P1	I	m		
	[°C]	[°F]	[°C]	[°C]	[W]	[Btu/h]	[kcal/h]	[W/W]	[Btu/Wh]	[kcal/Wh]	[W]	[A]	[kg/h]	
	-23,3	45	32,2	32,2	79,0	270	68,0	2,08	7,10	1,79	38,0	0,17	0,85	opt
	-9,94	113	90	90										
	-23,3	54,4	32,2	32,2	74,0	253	63,7	1,85	6,32	1,59	40,0	0,18	0,79	ASHRAE LBP
	-10	130	90	90										
	-25	55	32	55	55,1	188	47,4	1,45	4,95	1,25	38,0	0,17	0,72	cecomaf LBP
	-13	131	89,6	131										
	-23,3	48,9	4,44	48,9	60,5	207	52,1	1,56	5,32	1,34	38,8	0,17	0,88	ARI540 LBP
	-10	120	40	120										
	-23,3	40,6	32,2	32,2	81,2	277	69,8	2,21	7,53	1,90	36,8	0,17	0,87	AHAM LBP
	-10	105	90	90										
	-35	45	32	45	35,7	122	30,7	1,36	4,64	1,17	26,3	0,11	0,42	opt
	-31	113	89,6	113										

Performance tables

220V/50Hz, RSCR, static, VDE

	pe	Cooling capacity			COP	EER	P1	I	m		
	[°C]	[°F]	[W]	[Btu/h]	[kcal/h]	[W/W]	[Btu/Wh]	[kcal/Wh]	[W]	[A]	[kg/h]
[°C / °F]	-35	-31	35,7	122	30,7	1,36	4,64	1,17	26,3	0,11	0,42
cond. pressure	-30	-22	48,4	165	41,7	1,55	5,31	1,34	31,2	0,14	0,58
pc= 45/113	-25	-13	64,8	221	55,8	1,79	6,11	1,54	36,2	0,16	0,77
return gas temp.	-23,3	-10	71,2	243	61,3	1,88	6,40	1,61	38,0	0,17	0,85
RGT= 32/90	-20	-4	84,8	290	73,0	2,05	7,00	1,76	41,3	0,18	1,01
liquid temp	-15	5	108,3	370	93,2	2,34	7,97	2,01	46,4	0,20	1,29
Tliq= 45/113	-5	23	165,7	566	142,6	2,97	10,15	2,56	55,8	0,26	1,99
[°C / °F]	-35	-31	28,6	98	24,6	1,10	3,76	0,95	26,0	0,12	0,37
cond. pressure	-30	-22	40,2	137	34,6	1,26	4,31	1,09	31,8	0,15	0,52
pc= 55/131	-25	-13	55,1	188	47,4	1,45	4,95	1,25	38,0	0,17	0,72
return gas temp	-23,3	-10	60,9	208	52,4	1,52	5,18	1,31	40,1	0,18	0,79
RGT= 32/90	-20	-4	73,2	250	63,0	1,65	5,64	1,42	44,3	0,20	0,96
liquid temp	-15	5	94,6	323	81,4	1,86	6,36	1,60	50,8	0,22	1,24
Tliq= 55/131	-5	23	146,8	501	126,4	2,31	7,89	1,99	63,5	0,31	1,93