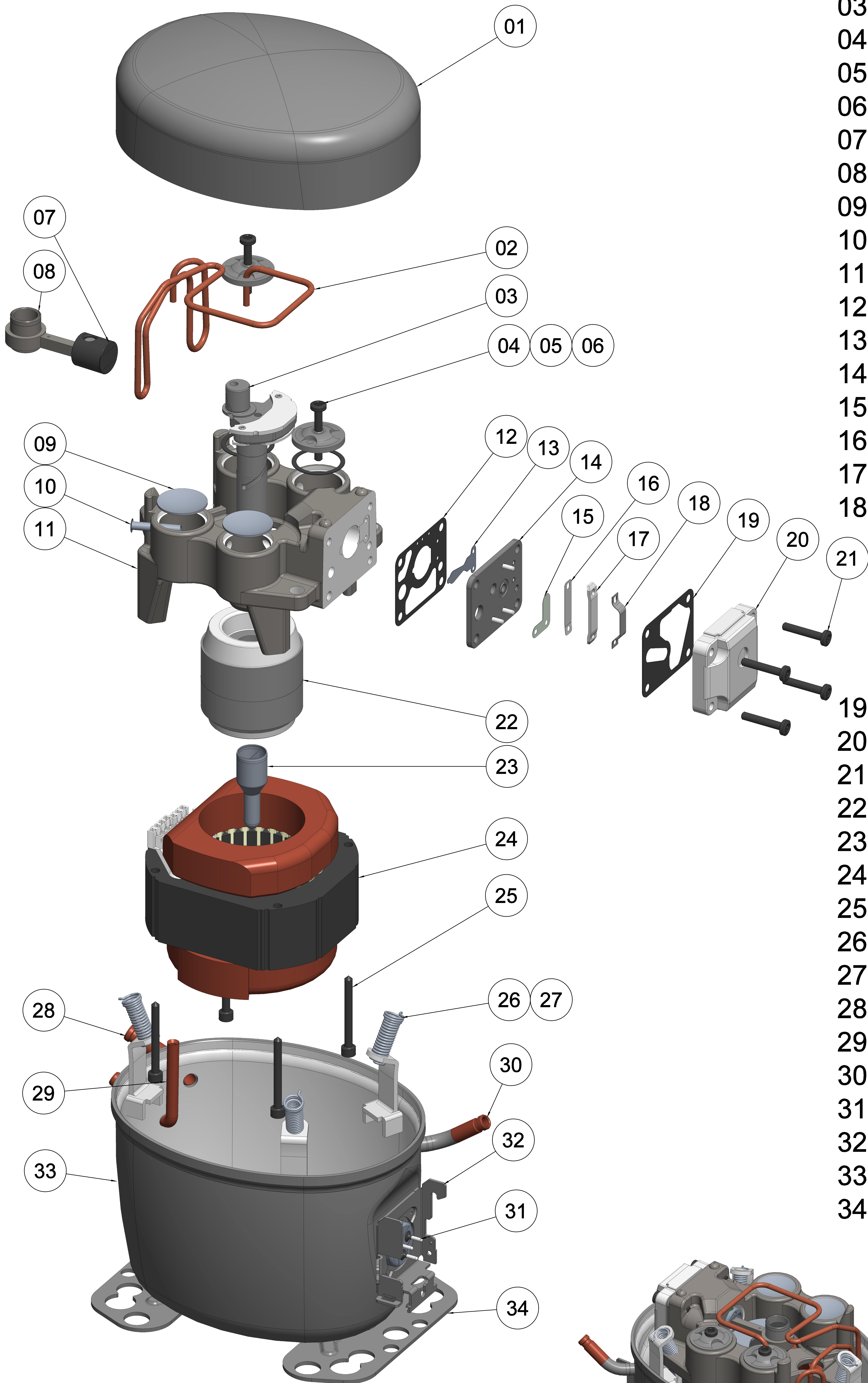


FR Compressor



- 01 - Compressor cover
- 02 - Internal discharge tube
- 03 - Crankshaft
- 04 - Discharge muffler screw
- 05 - Discharge muffler cover
- 06 - Discharge muffler gasket
- 07 - Conrod
- 08 - Conrod bush
- 09 - Suction muffler cover
- 10 - Crankcase suction tube
- 11 - Crankcase
- 12 - Valve plate gasket
- 13 - Suction valve
- 14 - Valve plate
- 15 - Discharge valve
- 16 - Booster
- 17 - Discharge valve stopper
- 18 - Valve package clamp
- 19 - Cylinder head gasket
- 20 - Cylinder head
- 21 - Cylinder head screw
- 22 - Rotor
- 23 - Oil pump
- 24 - Stator
- 25 - Stator screw
- 26 - Suspension spring
- 27 - Suspension spring bracket
- 28 - Suction connector
- 29 - Discharge connector
- 30 - Service connector
- 31 - Hermetic terminal
- 32 - Hermetic terminal shield
- 33 - Compressor housing
- 34 - Base plate

