

## KL-Series Compressors Motor Configurations

After extensive verification and validation testing, Secop recently released the new KLF MBP models (for 220-240 V, 50 Hz mains) with an expanded evaporating temperature range that can also serve LBP applications (see Figure 1).

With this upgrade, the compressors will be able to cover a much wider range of applications. Please see Figure 2 for the new application envelope.

## CSIR and RSCR

All the new models are available with the CSIR and RSCR electrical configuration (see Figure 3).

CSIR: Capacitor Start Induction Run  
RSCR: Resistant Start Capacitor Run

- a4: PTC starting device
- a5: Starting relay
- b: Cover
- c: Starting capacitor
- d: Cord relief
- e: Run capacitor

Our application engineering team remains available for any further doubt or clarification needed on this topic and to support you in selecting the most suitable option based on your application.

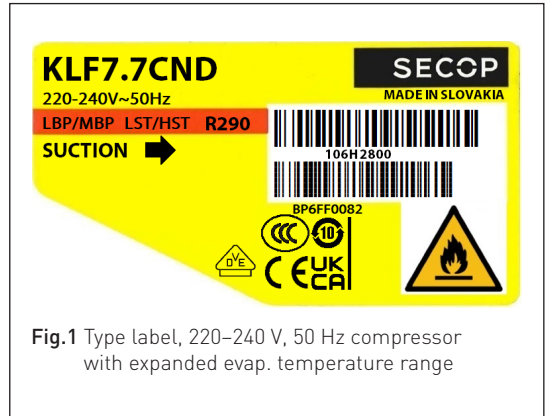


Fig.1 Type label, 220–240 V, 50 Hz compressor with expanded evap. temperature range

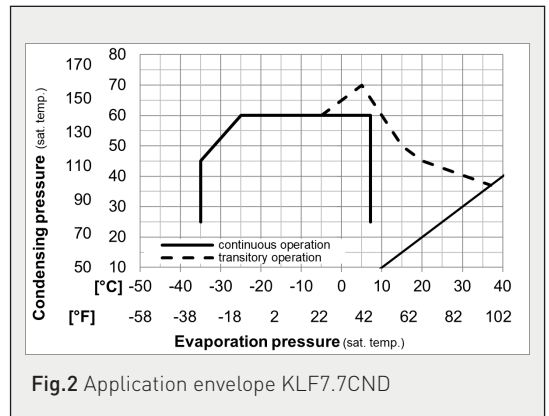


Fig.2 Application envelope KLF7.7CND

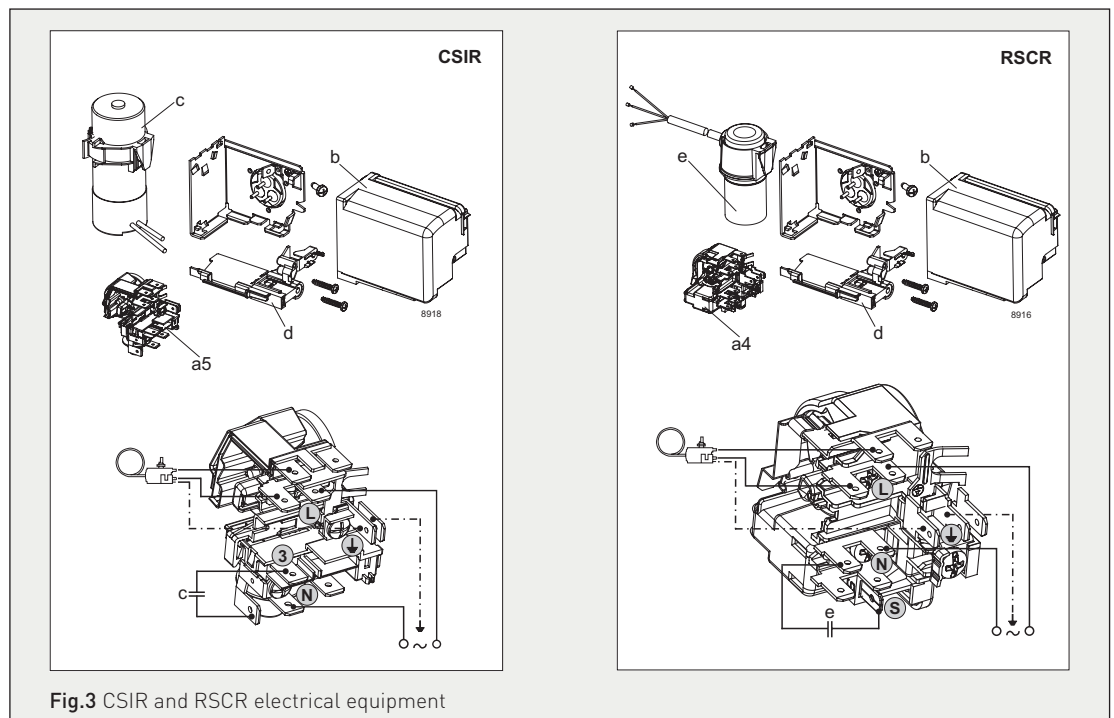


Fig.3 CSIR and RSCR electrical equipment