

Single Pack SCE18CNLX 208-230V 60Hz CSCR

Single pack code number: **195B4436**

Position	Title	Code	Amount
1	Compressor SCE18CNLX	104H8878	1
2	SC starting device (550mm)	117-7809	1
3	Bolt joint for one compressor M6 \varnothing 16mm	118-1917	1

Secop GmbH • Lise-Meitner-Straße 29 • 24941 Flensburg, Germany • Tel: +49 461 4941 0 • www.secop.com

Secop accepts no responsibility for possible errors in catalogs, brochures, and other printed material. Secop reserves the right to alter its products without notice. This also applies to products already on order provided that such alterations can be made without subsequent changes being necessary to specifications already agreed. All trademarks in this material are the property of the respective companies. Secop and the Secop logotype are trademarks of Secop GmbH. All rights reserved.

Model

Designation	SCE18CNLX	208-230V/60Hz 1~	Sales code:	104H8878
-------------	------------------	------------------	-------------	-----------------

Compressor design

Oil type	Polyolester	Refrigerant(s)	R290
Oil viscosity	32cSt	Displacement	17,69cm ³ / 1,08cu.in
Oil quantity	550cm ³ / 18,6fl.oz	Compressors on pallet	80
Refr. charge - tech. limit	450g / 15,9oz		
Free gas volume comp.	1460cm ³ / 49,4fl.oz		
Weight	14,2kg / 31,3lbs		
Motor protection	external		
Winding resistance main	3,44Ω (at 25°C)		
Winding resistance aux	9,4Ω (at 25°C)		
Max. winding temp.	125°C / 257°F		
Max. discharge temp.	140°C / 284°F		



General - Configurations with SCE18CNLX

	Conf. 1
Motorconfiguration	CSCR
Power supply (nominal)	208-230V/60Hz
Number of phases	1
Voltage range	187-253V
Approvals	UL
Starting torque	HST
Note	Protector and cover are included and pre-assembled to compressor.

Applications with SCE18CNLX

	Conf. 1
Refrigerant	R290
Application	LBP
System cooling	fan 3m/s
Hot gas defrost	OK
Long interval pull down	-/-

Electrical data - Configurations with SCE18CNLX

	Conf. 1
Starting device type	relay
Run capacitor	10μF
Start capacitor	80μF
LRA (locked rotor amps / 4s/ U(N))	19,13A
RLA (rated load amps / 1s/ U(N))	2,2A
Cut in current (U(N))	19,13A

Model

Designation

SCE18CNLX

208-230V/60Hz 1~

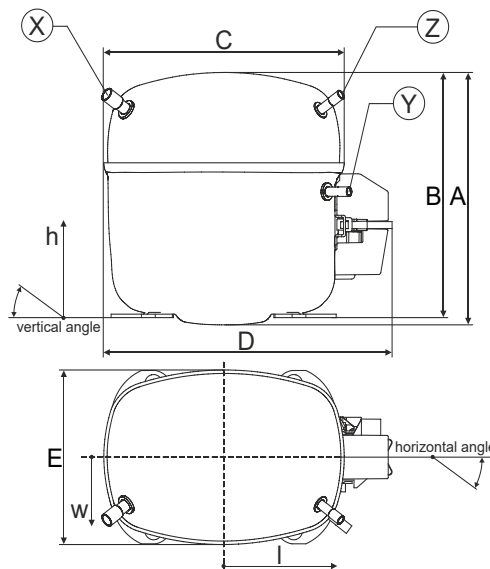
Sales code:

104H8878

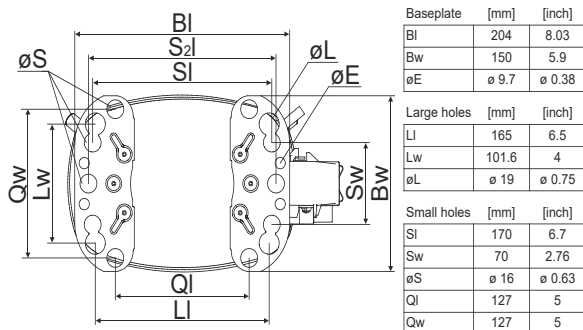
Compressor dimensions

Housing	A Height	219mm / 8,62in
	B Height	213mm / 8,39in
	C Length shell	218mm / 8,58in
	D Length w. cover	255mm / 10,04in
	E Width	151mm / 5,94in

Connectors		Suction	Discharge	Process
		X	Y	Z
Diameter	[mm]	øi 9,54-9,72	øi 6,41-6,59	øi 6,41-6,59
(i:inside, o:outside)	[in]	øi 0,38-0,38	øi 0,25-0,26	øi 0,25-0,26
Material		copper	copper	copper
Horizontal angle	±2°	37°	37°	143°
Vertical angle	±2°	30°	0°	150°
Position l/h/w	[mm]	107/193/55	115/110/63	-107/193/55
	[in]	4,2/7,6/2,2	4,5/4,3/2,5	-4,2/7,6/2,2
Straight tube l.	[mm]	12	12	12
	[in]	0,5	0,5	0,5



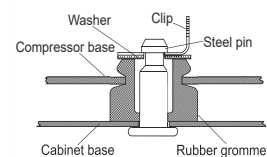
Compressor fixation



Bolt joint



Snap-on



Mounting accessories

	one comp.	multi pack
Bolt joint M6 ø16mm	118-1917	118-1918
Bolt joint ø1/4" ø16mm	118-1946	
Bolt joint ø1/4" ø19mm	118-1949	
Snap-on ø7,3 ø16mm	118-1947	118-1919

Application notes

Provision for PE Grounding is located at the PE Stamp on the compressor

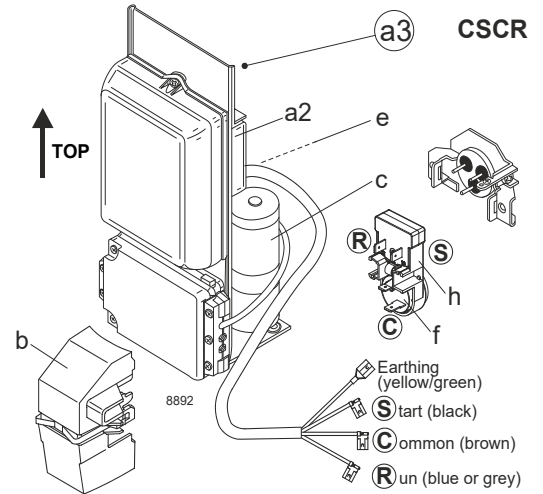
Model

Designation	SCE18CNLX	208-230V/60Hz	Conf. 1	Sales code:	104H8878
-------------	------------------	----------------------	----------------	-------------	-----------------

Configuration

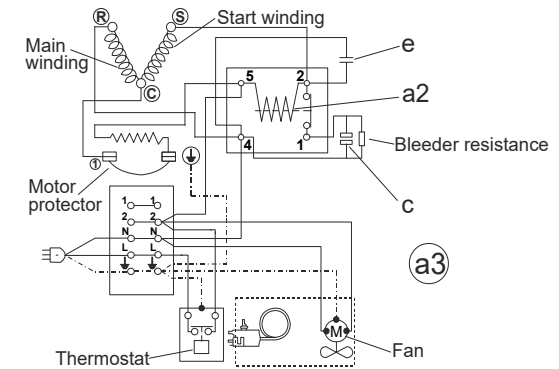
Motor configuration	CSCR
Power supply (nominal)	208-230V/60Hz 1~
Refrigerant	R290
Application	LBP
Voltage range	187-253V
Starting torque	HST
Approvals	UL

Electrical accessories / wiring diagram

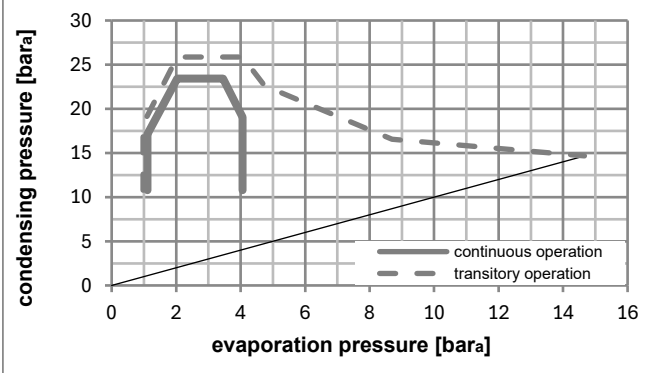
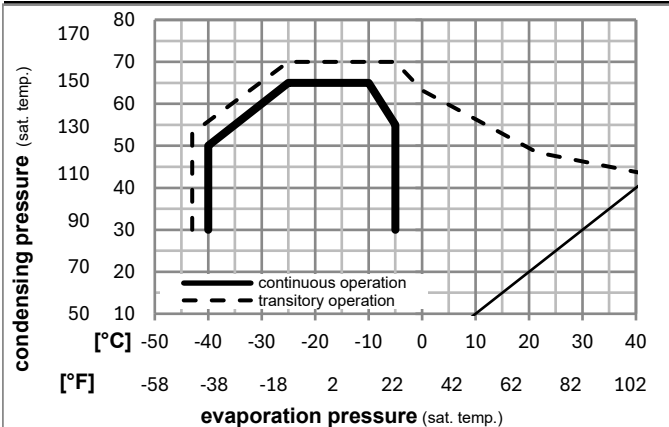


Ambient/ machine room temperatures minimum /maximum

Ambient temperature range:	10 - 43°C / 50 - 110°F
Machine room temperature range:	10 - 48°C / 50 - 119°F
Compressor cooling:	fan 3m/s



Operation pressure range



Components (protector (f)+ holder (h)+ cover (b): pre assembled)

a3	SC starter kit (550mm)	117-7809
f	motor protector T1120	117U3230
h	protector holder	117U0080
b	plastic cover + clamp	117U1021

Alternative comp.

a2	potential relay (RVA 2AI3R A91)	117-7602
e	run capacitor (10μF, 6.3mm)	117-7121
c	start capacitor (80μF)	117U5373

Noise emission

Operation pressures:	pe: -25°C / -13°F
	pc: 45°C / 113°F
Motor speed appr.:	3500rpm
Lw(A):	57dB(A)

Model

Designation **SCE18CNLX** **208-230V/60Hz** Conf. 1 Sales code: **104H8878**

Optimization + standard conditions

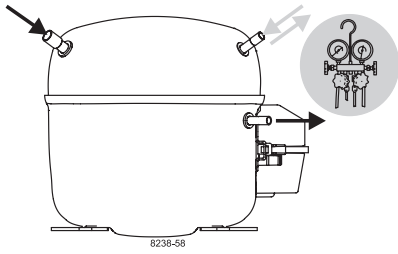
R290, 230V/60Hz, CSCR, fan 3m/s, UL

	Evaporating pressure (saturation temperature)				Cooling capacity			COP	EER	Power consumption			ASHRAE LBP	
	pe	pc	RGT	Tliq	[W]	[Btu/h]	[kcal/h]			P1	I	Ref. mass flow		
	[°C]	[°C]	[°C]	[°C]				[W/W]	[Btu/Wh]	[kcal/Wh]	[W]	[A]	[kg/h]	
	-23	54	32	32	907,6	3100	781,1	1,67	5,71	1,44	543,3	2,41	9,19	ASHRAE LBP
	[°F]													
	-10	130	90	90										
	-25	55	32	55	655,2	2237	563,8	1,29	4,39	1,11	509,8	2,27	8,16	cecomaf LBP
	[°F]													
	-13	131	90	131										
	-35	40	20	40	494,5	1689	425,6	1,28	4,36	1,10	387,0	1,61	5,65	EN12900 LBP
	[°F]													
	-31	104	68	104										
	-23	49	4,4	49	768,7	2625	661,5	1,39	4,75	1,20	552,2	2,40	10,65	ARI540 LBP
	[°F]													
	-10	120	40	120										
	-23	41	32	32	1081,5	3694	930,8	1,97	6,74	1,70	548,2	2,37	10,95	AHAM LBP
	[°F]													
	-10	105	90	90										
	-35	45	32	45	417,8	1427	359,5	1,15	3,91	0,99	364,5	1,53	4,68	opt
	[°F]													
	-31	113	90	113										

Performance tables

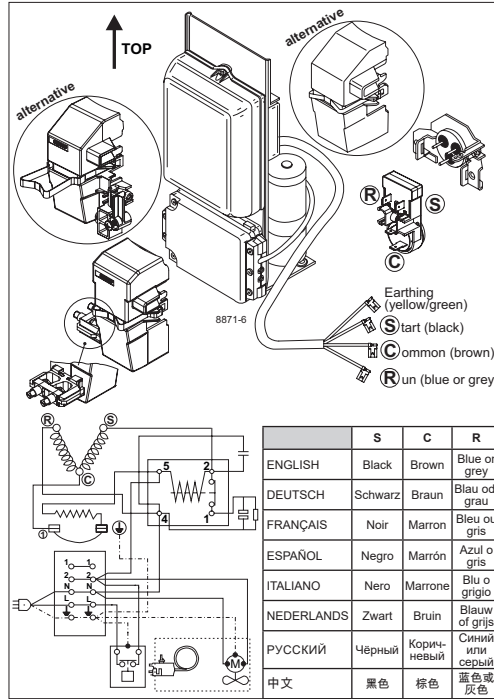
R290, 230V/60Hz, CSCR, fan 3m/s, UL

	pe		Cooling capacity			COP	EER	P1	I	m	
	[°C]	[°F]	[W]	[Btu/h]	[kcal/h]						
[°C / °F]	-40	-40	236,1	806	203,2	0,90	3,06	0,77	263,8	1,07	2,64
cond. pressure	-34	-30	439,1	1500	377,9	1,17	4,00	1,01	374,9	1,58	4,92
pc= 45/113	-29	-20	666,8	2277	573,8	1,42	4,84	1,22	470,6	2,02	7,50
return gas temp.	-23	-10	924,2	3156	795,4	1,67	5,70	1,44	553,5	2,39	10,44
RGT= 32/90	-21	-5	1065,7	3639	917,1	1,80	6,16	1,55	590,9	2,56	12,06
liquid temp	-15	5	1377,4	4704	1185,4	2,09	7,14	1,80	659,3	2,88	15,67
Tliq= 45/113	-5	23	2049,2	6998	1763,6	2,67	9,12	2,30	767,7	3,37	23,59
[°C / °F]	-40	-40	46,4	159	40,0	0,31	1,06	0,27	149,3	0,72	0,57
cond. pressure	-34	-30	256,5	876	220,7	0,86	2,93	0,74	299,1	1,37	3,17
pc= 55/131	-29	-20	483,4	1651	416,1	1,13	3,85	0,97	429,2	1,92	6,00
return gas temp	-23	-10	732,5	2502	630,4	1,35	4,62	1,16	542,0	2,41	9,13
RGT= 32/90	-21	-5	866,9	2961	746,1	1,46	4,99	1,26	592,8	2,62	10,84
liquid temp	-15	5	1158,7	3957	997,2	1,69	5,78	1,46	684,6	3,02	14,57
Tliq= 55/131	-5	23	1775,3	6063	1527,8	2,15	7,35	1,85	824,4	3,63	22,62



SCE Compressors

(External Protector)



	S	C	R
ENGLISH	Black	Brown	Blue or grey
DEUTSCH	Schwarz	Braun	Blau od. grau
FRANÇAIS	Noir	Marron	Bleu ou gris
ESPAÑOL	Negro	Marrón	Azul o gris
ITALIANO	Nero	Marrone	Blu o grigio
NEDERLANDS	Zwart	Bruin	Blauw of grijs
РУССКИЙ	Чёрный	Коричневый	Синий или серый
中文	黑色	棕色	蓝色或灰色

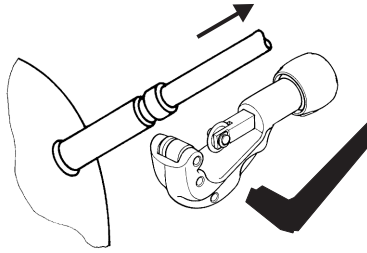
	S	C	R
ENGLISH	Black	Brown	Blue or grey
DEUTSCH	Schwarz	Braun	Blau od. grau
FRANÇAIS	Noir	Marron	Bleu ou gris
ESPAÑOL	Negro	Marrón	Azul o gris
ITALIANO	Nero	Marrone	Blu o grigio
NEDERLANDS	Zwart	Bruin	Blauw of grijs
РУССКИЙ	Чёрный	Коричневый	Синий или серый
中文	黑色	棕色	蓝色或灰色



SCE Compressors (External Protector)



Service/Repair – R290



8545

Brazing on Suction Connectors (Direct Intake)



**! max. 350°C/662°F !
at socket**
brazing solder: phosphor (LP7) or silver

Refer to Product Bulletin:
Brazing on Suction Connectors
(SCE Compressors with Direct Suction Intake)

Secop accepts no responsibility for possible errors in catalogs, brochures, and other printed material. Secop reserves the right to alter its products without notice. This also applies to products already on order provided that such alterations can be made without subsequential changes being necessary to specifications already agreed. All trademarks in this material are the property of the respective companies. Secop and the Secop logotype are trademarks of Secop GmbH. All rights reserved. www.secop.com