

Single Pack SC21G 220-240V 50/60Hz CSCR

Single pack code number: **195B4524**

Position	Title	Code	Amount
1	Compressor SC21G	104G8124	1
2	SC starting device (650mm)	117-7032	1
3	Cord relief	103N1004	1
4	Cover	103N2009	1
5	Bolt joint for one compressor M6 ø16mm	118-1917	1

Secop GmbH • Lise-Meitner-Straße 29 • 24941 Flensburg, Germany • Tel: +49 461 4941 0 • www.secop.com

Secop accepts no responsibility for possible errors in catalogs, brochures, and other printed material. Secop reserves the right to alter its products without notice. This also applies to products already on order provided that such alterations can be made without subsequent changes being necessary to specifications already agreed. All trademarks in this material are the property of the respective companies. Secop and the Secop logotype are trademarks of Secop GmbH. All rights reserved.

Model

Designation	SC21G	220-240V/50Hz 1~ 220-240V/60Hz 1~	Sales code:	104G8124
-------------	--------------	-----------------------------------	-------------	-----------------

Compressor design

Oil type	Polyolester	Refrigerant(s)	R134a
Oil viscosity	22cST	Displacement	20,95cm ³ / 1,28cu.in
Oil quantity	553cm ³ / 18,7fl.oz	Compressors on pallet	80
Refr. charge - tech. limit	1300g / 45,9oz		
Free gas volume comp.	1460cm ³ / 49,4fl.oz		
Weight	13,6kg / 30lbs		
Motor protection	1# internal		
Winding resistance main	3,5Ω (at 25°C)		
Winding resistance aux	13Ω (at 25°C)		
Max. winding temp.	125°C / 257°F		
Max. discharge temp.	130°C / 266°F		



General - Configurations with SC21G

	Conf. 1	Conf. 2
Motorconfiguration	CSCR	CSCR
Power supply (nominal)	220-240V/50Hz	220-240V/60Hz
Number of phases	1	1
Voltage range	187-254V	198-254V
Approvals	VDE, CCC, EAC	VDE, CCC, EAC
Starting torque	HST	HST
Note	- / -	

Applications with SC21G

	Conf. 1	Conf. 2
Refrigerant	R134a	R134a
Application	LBP+MBP+HBP	LBP
System cooling	fan 3m/s	fan 3m/s
Hot gas defrost	OK	OK
Long interval pull down	OK	OK

Electrical data - Configurations with SC21G

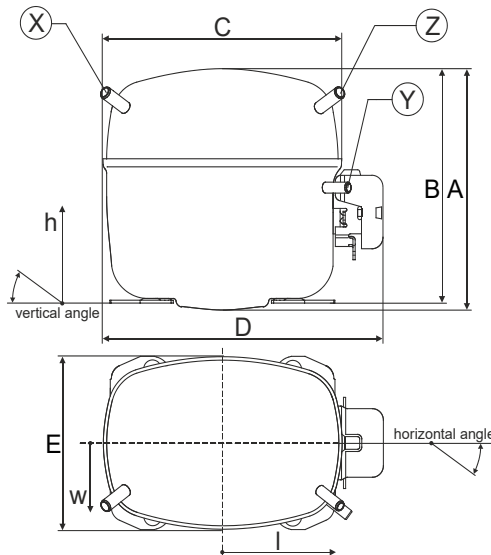
	Conf. 1	Conf. 2
Starting device type	relay	relay
Run capacitor	10μF	10μF
Start capacitor	80μF	80μF
LRA (locked rotor amps / 4s/ U(N))	22A	22A
RLA (rated load amps / 1s/ U(N))	3,9A	3,9A
Cut in current (U(N))	22A	22A

Model

Designation	SC21G	220-240V/50Hz 1~ 220-240V/60Hz 1~	Sales code:	104G8124
-------------	--------------	-----------------------------------	-------------	-----------------

Compressor dimensions

Housing	A Height	219mm / 8,62in
	B Height	213mm / 8,39in
	C Length shell	218mm / 8,58in
	D Length w. cover	255mm / 10,04in
	E Width	151mm / 5,94in



Connectors	Suction	Discharge	Process
	X	Y	Z
Diameter [mm]	øi 10,11-10,29	øi 6,41-6,59	øi 6,41-6,59
(i:inside, o:outside) [in]	øi 0,4-0,41	øi 0,25-0,26	øi 0,25-0,26
Material	copper	copper	copper
Horizontal angle ±2°	37°	37°	143°
Vertical angle ±2°	30°	0°	150°
Position l/h/w [mm]	107/193/55	115/110/63	-107/193/55
[in]	4,2/7,6/2,2	4,5/4,3/2,5	-4,2/7,6/2,2
Straight tube l. [mm]	12	12	12
[in]	0,5	0,5	0,5

Compressor fixation

Baseplate	[mm]	[inch]
BI	204	8.03
Bw	150	5.9
øE	ø 9.7	ø 0.38

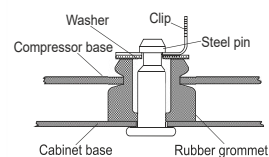
Large holes	[mm]	[inch]
LI	165	6.5
Lw	101.6	4
øL	ø 19	ø 0.75

Small holes	[mm]	[inch]
SI	170	6.7
Sw	70	2.76
øS	ø 16	ø 0.63
QI	127	5
Qw	127	5

Bolt joint



Snap-on



Mounting accessories

Mounting accessories	one comp.	multi pack
Bolt joint M6 ø16mm	118-1917	118-1918
Bolt joint ø1/4" ø16mm	118-1946	
Bolt joint ø1/4" ø19mm	118-1949	
Snap-on ø7,3 ø16mm	118-1947	118-1919

Application notes

Provision for PE Grounding is located at the PE Stamp on the compressor

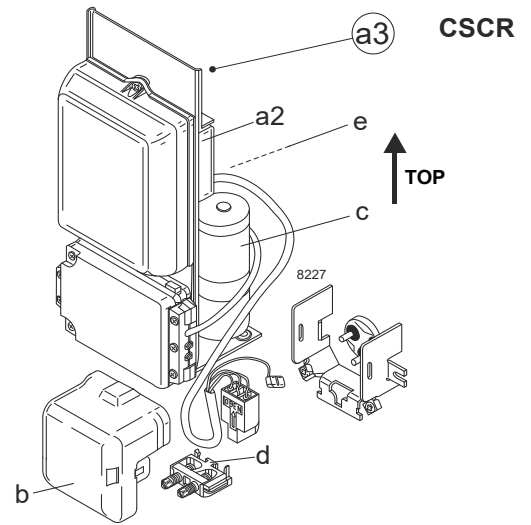
Model

Designation	SC21G	220-240V/50Hz	Conf. 1	Sales code:	104G8124
-------------	--------------	----------------------	----------------	-------------	-----------------

Configuration

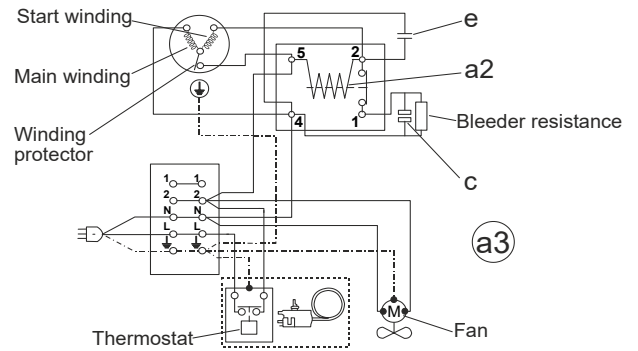
Motorconfiguration	CSCR
Power supply (nominal)	220-240V/50Hz 1~
Refrigerant	R134a
Application	LBP+MBP+HBP
Voltage range	187-254V
Starting torque	HST
Approvals	VDE CCC EAC

Electrical accessories / wiring diagram

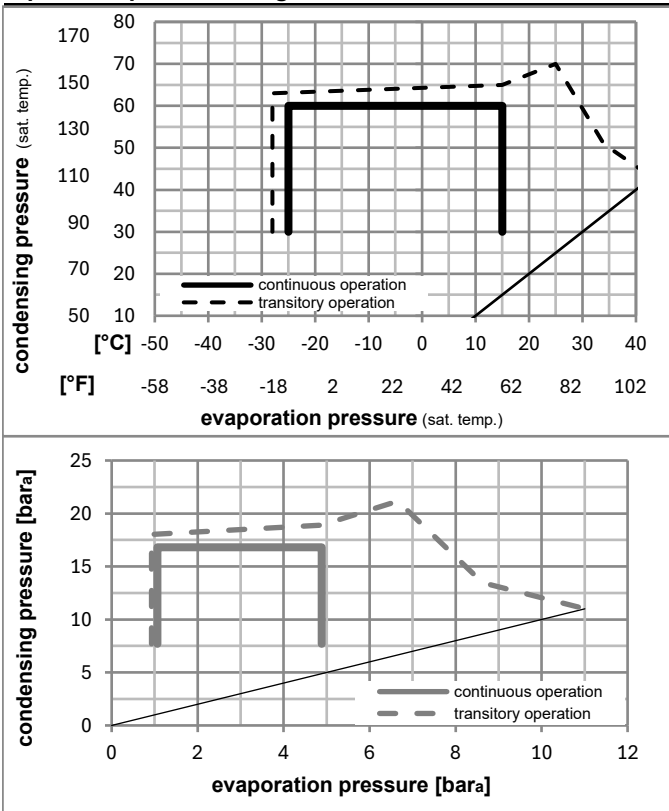


Ambient/ machine room temperatures minimum /maximum

Ambient temperature range:	10 - 43°C / 50 - 110°F
Machine room temperature range:	10 - 48°C / 50 - 119°F
Compressor cooling:	fan 3m/s



Operation pressure range



Components

a3	SC starter kit (550mm)	117-7029
b	plastic cover	103N2009
d	cord relief	103N1004

Alternative components

a3	SC starter kit (650mm)	117-7032
a3	SC starter kit (1000mm)	117-7041
a2	potential relay (RVA 4H3R341)	117-7427
c	start capacitor (80μF)	117U5373
e	run capacitor (10μF, 6.3mm)	117-7112

Model

Designation **SC21G** **220-240V/50Hz** Conf. 1 Sales code: **104G8124**

Optimization + standard conditions

R134a, 220V/50Hz, CSCR, fan 3m/s, VDE, CCC, EAC

	Evaporating pressure (saturation temperature)				Condensing pressure (saturation temperature)			Return gas temp.	Liquid temp.	Cooling capacity	COP	EER	Power consumption			ASHRAE LBP
	pe	pc	RGT	Tliq	[W]	[Btu/h]	[kcal/h]						P1	I	Ref. mass flow	
	[°C]	[°F]	[°C]	[°F]	[W]	[Btu/h]	[kcal/h]	[W/W]	[Btu/Wh]	[kcal/Wh]	[W]	[A]	[kg/h]			
	-23	54	32	32	460,1	1571	396,0	1,22	4,18	1,05	375,7	2,34	8,93	ASHRAE LBP		
	-10	130	90	90												
	-25	55	32	55	332,7	1136	286,4	0,96	3,26	0,82	348,2	2,28	7,96	cecomaf LBP		
	-13	131	90	131												
	-35	40	20	40	222,2	759	191,2	0,88	2,99	0,75	253,6	1,96	4,87	EN12900 LBP		
	-31	104	68	104												
	-7	54	35	46	1040,5	3553	895,5	1,68	5,75	1,45	617,9	3,14	22,70	ASHRAE MBP		
	20	130	95	115												
	-10	55	32	55	792,6	2707	682,1	1,39	4,75	1,20	569,4	2,96	19,16	cecomaf MBP		
	14	131	90	131												
	-10	45	20	45	931,8	3182	801,9	1,63	5,58	1,41	570,2	2,87	21,81	EN12900 MBP		
	14	113	68	113												

Performance tables

R134a, 220V/50Hz, CSCR, fan 3m/s, VDE, CCC, EAC

	pe		Cooling capacity			COP	EER	P1	I	m	
	[°C]	[°F]	[W]	[Btu/h]	[kcal/h]	[W/W]	[Btu/Wh]	[kcal/Wh]	[W]	[A]	[kg/h]
[°C / °F]	-25	-13	420,9	1438	362,3	1,11	3,80	0,96	378,0	2,26	9,12
cond. pressure	-20	-4	570,4	1948	490,9	1,29	4,40	1,11	442,9	2,44	12,39
pc= 45/113	-10	14	966,8	3302	832,0	1,70	5,79	1,46	570,2	2,87	21,16
return gas temp.	-5	23	1215,3	4150	1045,9	1,93	6,60	1,66	629,0	3,12	26,72
RGT= 32/90	0	32	1498,4	5117	1289,5	2,20	7,50	1,89	682,2	3,39	33,14
liquid temp	5	41	1816,9	6205	1563,6	2,50	8,52	2,15	727,9	3,68	40,45
Tliq= 45/113	15	59	2563,1	8754	2205,8	3,25	11,08	2,79	789,8	4,34	58,06
[°C / °F]	-25	-13	332,7	1136	286,4	0,96	3,26	0,82	348,2	2,28	7,96
cond. pressure	-20	-4	453,1	1547	389,9	1,07	3,67	0,92	421,7	2,48	10,87
pc= 55/131	-10	14	792,6	2707	682,1	1,39	4,75	1,20	569,4	2,96	19,16
return gas temp	-5	23	1013,3	3461	872,0	1,58	5,41	1,36	640,0	3,24	24,63
RGT= 32/90	0	32	1269,0	4334	1092,1	1,80	6,14	1,55	705,9	3,54	31,04
liquid temp	5	41	1560,5	5329	1343,0	2,04	6,96	1,75	765,4	3,87	38,45
Tliq= 55/131	15	59	2254,0	7698	1939,8	2,63	8,97	2,26	858,1	4,60	56,61

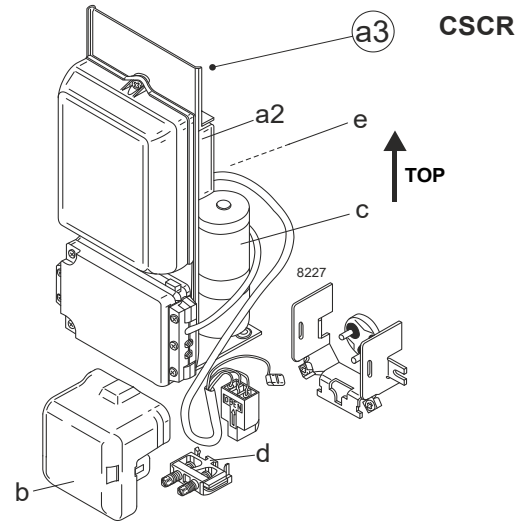
Model

Designation	SC21G	220-240V/60Hz	Conf. 2	Sales code:	104G8124
-------------	--------------	----------------------	----------------	-------------	-----------------

Configuration

Motorconfiguration	CSCR
Power supply (nominal)	220-240V/60Hz 1~
Refrigerant	R134a
Application	LBP
Voltage range	198-254V
Starting torque	HST
Approvals	VDE
	CCC
	EAC

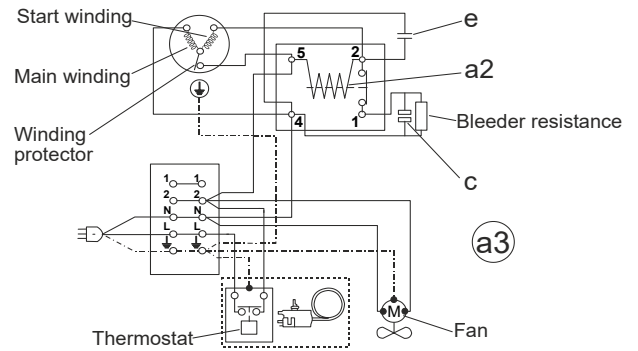
Electrical accessories / wiring diagram



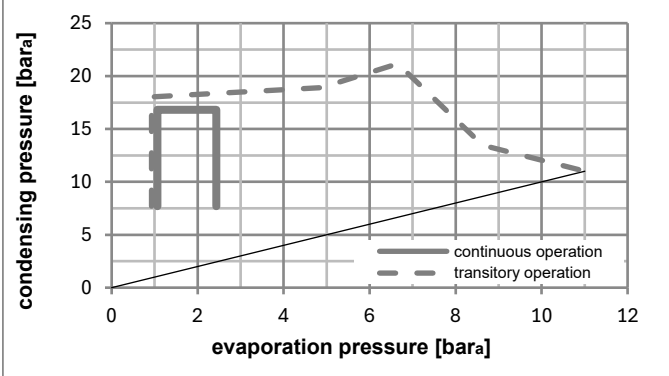
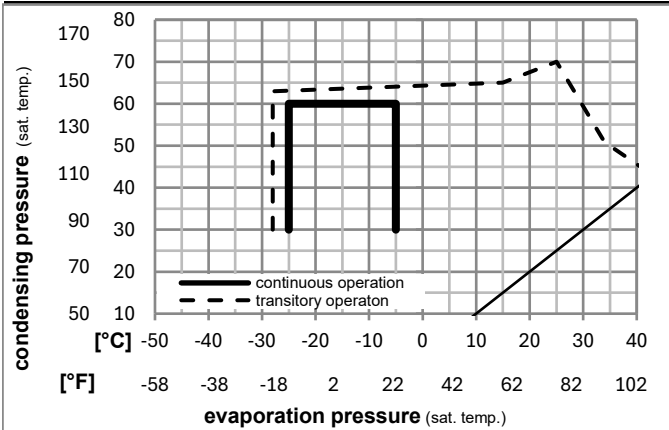
Ambient/ machine room temperatures minimum /maximum

Ambient temperature range:	10 - 43°C / 50 - 110°F
Machine room temperature range:	10 - 48°C / 50 - 119°F

Compressor cooling: fan 3m/s



Operation pressure range



Components

a3	SC starter kit (550mm)	117-7029
b	plastic cover	103N2009
d	cord relief	103N1004

Alternative components

a3	SC starter kit (650mm)	117-7032
a3	SC starter kit (1000mm)	117-7041
a2	potential relay (RVA 4H3R341)	117-7427
c	start capacitor (80µF)	117U5373
e	run capacitor (10µF, 6.3mm)	117-7112

Model

Designation **SC21G** **220-240V/60Hz** Conf. 2 Sales code: **104G8124**

Optimization + standard conditions

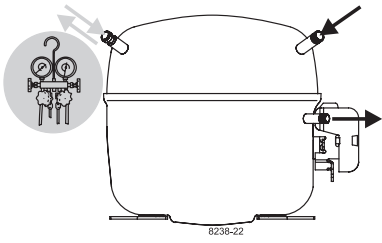
R134a, 230V/60Hz, CSCR, fan 3m/s, VDE, CCC, EAC

	Evaporating pressure (saturation temperature)				Condensing pressure (saturation temperature)			Return gas temp.	Liquid temp.	Cooling capacity	COP	EER	Power consumption			Ref. mass flow
	pe	pc	RGT	Tliq	[W]	[Btu/h]	[kcal/h]						P1	I	m	
	[°C]	[°F]	[°C]	[°F]	[W]	[Btu/h]	[kcal/h]	[W/W]	[Btu/Wh]	[kcal/Wh]	[W]	[A]	[kg/h]			
ASHRAE LBP	-23	54	32	32	443,9	1516	382,0	1,07	3,67	0,92	413,2	1,90	8,62			
cecomaf LBP	-25	55	32	55	303,4	1036	261,1	0,80	2,74	0,69	378,6	1,77	7,25			
EN12900 LBP	-35	40	20	40	231,4	790	199,1	0,82	2,79	0,70	283,4	1,29	5,08			
ASHRAE MBP	-7	54	35	46	1165,8	3981	1003,3	1,67	5,69	1,43	700,0	3,09	25,43			
cecomaf MBP	-10	55	32	55	880,1	3006	757,4	1,36	4,66	1,17	645,1	2,86	21,28			
EN12900 MBP	-10	45	20	45	1000,0	3415	860,6	1,61	5,49	1,38	622,6	2,73	23,41			

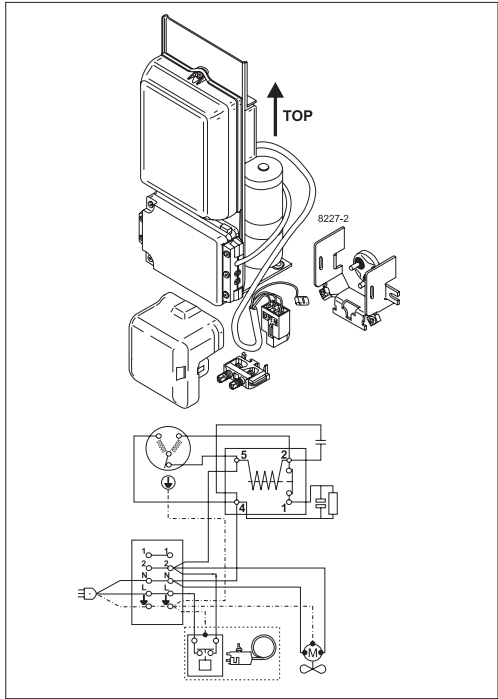
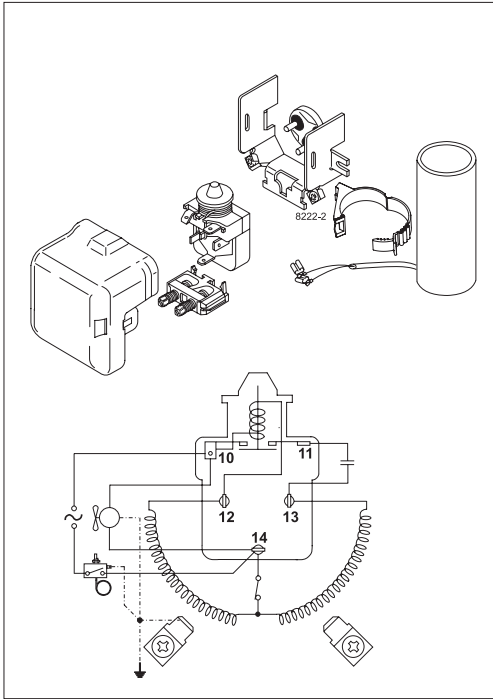
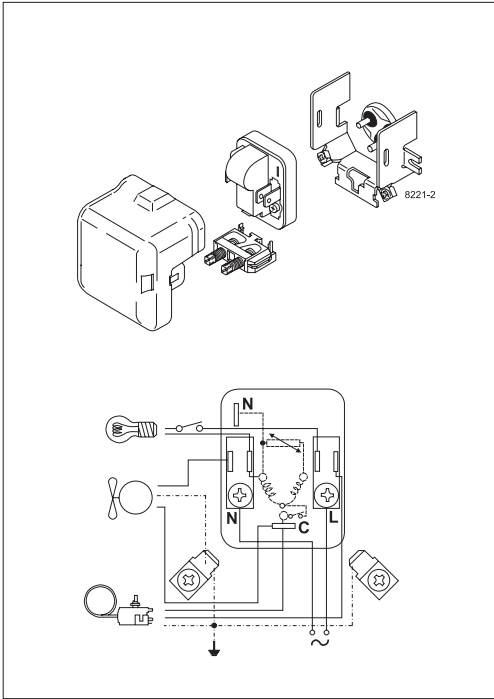
Performance tables

R134a, 230V/60Hz, CSCR, fan 3m/s, VDE, CCC, EAC

	pe		Cooling capacity			COP	EER		P1	I	m
	[°C]	[°F]	[W]	[Btu/h]	[kcal/h]	[W/W]	[Btu/Wh]	[kcal/Wh]	[W]	[A]	[kg/h]
[°C / °F]	-25	-13	439,8	1502	378,5	1,07	3,64	0,92	412,9	1,84	9,53
cond. pressure	-23	-10	493,1	1684	424,3	1,13	3,85	0,97	437,2	1,94	10,69
pc= 45/113	-20	-4	606,1	2070	521,6	1,25	4,28	1,08	483,6	2,15	13,17
return gas temp.	-18	0	688,9	2353	592,9	1,34	4,58	1,15	514,2	2,28	14,99
RGT= 32/90	-15	5	803,8	2745	691,7	1,45	4,96	1,25	553,0	2,44	17,52
liquid temp	-10	14	1037,5	3543	892,9	1,67	5,69	1,43	622,6	2,73	22,71
Tliq= 45/113	-5	23	1311,7	4480	1128,9	1,89	6,46	1,63	693,8	3,01	28,84
[°C / °F]	-25	-13	303,4	1036	261,1	0,80	2,74	0,69	378,6	1,77	7,25
cond. pressure	-23	-10	354,9	1212	305,4	0,86	2,95	0,74	410,9	1,90	8,49
pc= 55/131	-20	-4	464,0	1585	399,3	0,98	3,36	0,85	471,7	2,14	11,13
return gas temp	-18	0	543,9	1858	468,1	1,06	3,63	0,92	511,1	2,30	13,07
RGT= 32/90	-15	5	654,7	2236	563,4	1,17	3,99	1,01	560,1	2,51	15,76
liquid temp	-10	14	880,1	3006	757,4	1,36	4,66	1,17	645,1	2,86	21,28
Tliq= 55/131	-5	23	1144,6	3909	985,1	1,57	5,37	1,35	728,2	3,21	27,82



SC Compressors





SC Compressors

Service/Repair – R290



8545



Secop accepts no responsibility for possible errors in catalogs, brochures, and other printed material. Secop reserves the right to alter its products without notice. This also applies to products already on order provided that such alterations can be made without subsequent changes being necessary to specifications already agreed. All trademarks in this material are the property of the respective companies. Secop and the Secop logotype are trademarks of Secop GmbH. All rights reserved. www.secop.com