

Single Pack NLU10KK.1 220-240V 50Hz RSCR

Single pack code number: **195B4822**

Position	Title	Code	Amount
1	Compressor NLU10KK.1	105H6193	1
2	e-PTC starting device (220V, 380hm, 4.8mm)	103N0055	1
3	Run capacitor (2.5µF 320V, 4.8mm)	117-7139	1
4	Run capacitor bracket	117-0300	1
5	Screw for bracket M4x8mm	117-0301	1
6	Cord relief	103n1010	1
7	Cover	103n2010	1
8	Bolt joint for one compressor M6 ø16mm	118-1917	1

Model

Designation	NLU10KK.1	220-240V/50Hz 1~	Sales code:	105H6193
-------------	------------------	------------------	-------------	-----------------

Compressor design

Oil type	Mineral	Refrigerant(s)	R600a
Oil viscosity	4,6cST	Displacement	10,09cm ³ / 0,62cu.in
Oil quantity	264cm ³ / 8,9fl.oz	Compressors on pallet	80
Refr. charge - tech. limit	150g / 5,3oz		
Free gas volume comp.	2360cm ³ / 79,8fl.oz		
Weight	12,1kg / 26,7lbs		
Motor protection	1# internal		
Winding resistance main	19,39Ω (at 25°C)		
Winding resistance aux	22,46Ω (at 25°C)		
Max. winding temp.	105°C / 221°F		
Max. discharge temp.	130°C / 266°F		



General - Configurations with NLU10KK.1

	Conf. 1
Motorconfiguration	RSCR
Power supply (nominal)	220-240V/50Hz
Number of phases	1
Voltage range	198-254V
Approvals	VDE, CB
Starting torque	LST
Note	- / -

Applications with NLU10KK.1

	Conf. 1
Refrigerant	R600a
Application	LBP
System cooling	static
Hot gas defrost	- / -
Long interval pull down	- / -

Electrical data - Configurations with NLU10KK.1

	Conf. 1
Starting device type	PTC
Run capacitor	2,5μF
Start capacitor	- / -
LRA (locked rotor amps / 4s)	3,1A
RLA (rated load amps / 1s)	0,5A
Cut in current	6A

Model

Designation

NLU10KK.1

220-240V/50Hz 1~

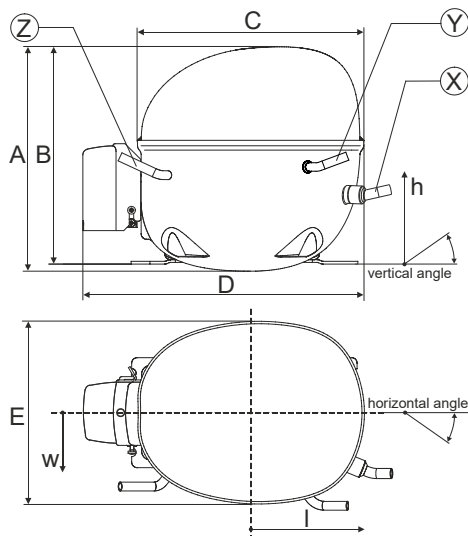
Sales code:

105H6193

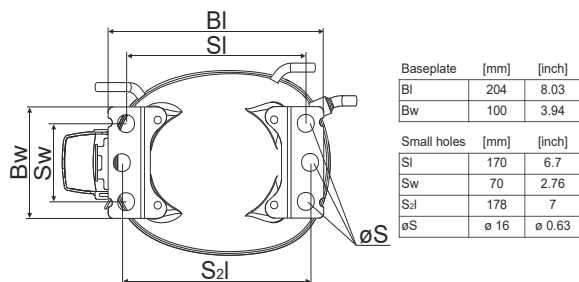
Compressor dimensions

Housing	A Height	203mm / 7,99in
	B Height	197mm / 7,76in
	C Length shell	205mm / 8,07in
	D Length w. cover	254mm / 10in
	E Width	166mm / 6,54in

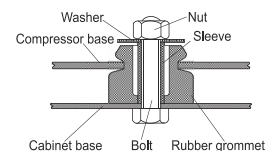
Connectors		Suction	Discharge	Process
		X	Y	Z
Diameter	[mm]	øi 6,11-6,29	øi 5,12-5,22	øi 6,11-6,29
	(i:inside, o:outside) [in]	øi 0,24-0,25	øi 0,2-0,21	øi 0,24-0,25
Material		copper	copper	copper
Horizontal angle	±2°	0°	0°	0°
Vertical angle	±2°	15°	21°	155°
Position l/h/w	[mm]	133/71/57	91/103/81	-107/94/72
	[in]	5,2/2,8/2,2	3,6/4/3,2	-4,2/3,7/2,8
Straight tube l.	[mm]	12	12	12
	[in]	0,5	0,5	0,5



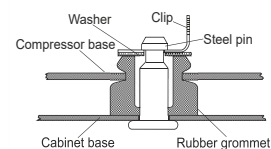
Compressor fixation



Bolt joint



Snap-on



Mounting accessories

	one comp.	multi pack
Bolt joint M6 ø16mm	118-1917	118-1918
Bolt joint ø1/4" ø16mm	118-1946	
Snap-on ø7,3 ø16mm	118-1947	118-1919

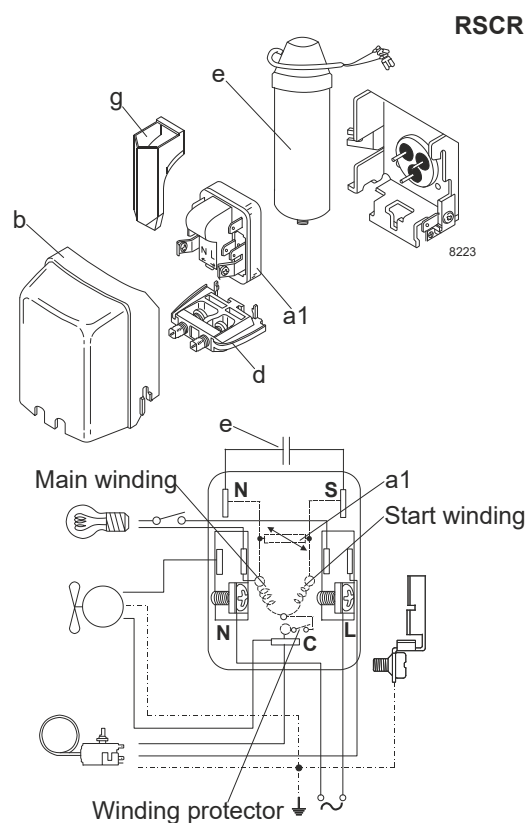
Model

Designation	NLU10KK.1	220-240V/50Hz	Conf. 1	Sales code:	105H6193
-------------	------------------	----------------------	----------------	-------------	-----------------

Configuration

Motorconfiguration	RSCR
Power supply (nominal)	220-240V/50Hz 1~
Refrigerant	R600a
Application	LBP
Voltage range	198-254V
Starting torque	LST
Approvals	VDE CB

Electrical accessories / wiring diagram

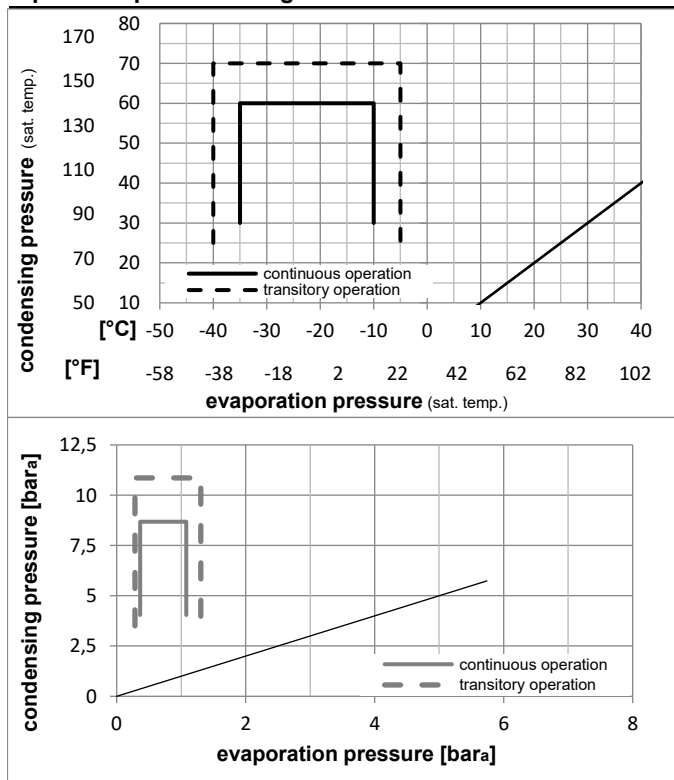


Ambient temperatures / system cooling

Ambient temperature min.:	10°C / 50°F
Ambient temperature max.:	43°C / 110°F

System cooling (n/a: outside limits)			
T ambient	LBP	MBP	HBP
32°C / 90°F	static	n/a	n/a
38°C / 100°F	static	n/a	n/a
43°C / 110°F	static	n/a	n/a

Operation pressure range



Components

a1	e-PTC starter (220V, 380hm, 4.8mm)	103N0055
e	run capacitor (2.5μF, 4.8mm)	117-7139
b	plastic cover	103N2010
d	cord relief	103N1010
	bracket for run capacitor	117-0300
	screw M4x8mm	117-0301

Alternative components

a1	PTC starter (220V, 250hm, 4.8mm)	103N0021
e	run capacitor (2.5μF, 4.8mm)	117-7139
b	plastic cover	103N2011
d	cord relief	103N1010
g	protection screen for PTC	103N0476
	bracket for run capacitor	117-0300

Model

Designation **NLU10KK.1 220-240V/50Hz** Conf. 1 Sales code: **105H6193**

Optimization + standard conditions

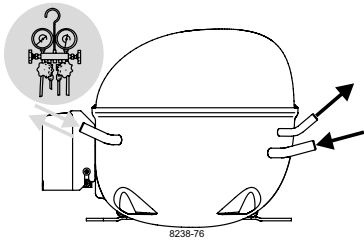
R600a, 220V/50Hz, RSCR, static, VDE, CB

	pe	pc	RGT	Tliq	Cooling capacity		COP	EER		P1	I	Ref. mass flow	
	[°C]	[°C]	[°C]	[°C]	[W]	[Btu/h]	[W/W]	[Btu/Wh]	[kcal/Wh]	[W]	[A]	[kg/h]	
Evaporating pressure (saturation temperature)	-23	54	32	32	175,7	600	1,98	6,75	1,70	88,8	0,40	1,89	ASHRAE LBP
Condensing pressure (saturation temperature)	-10	130	90	90									
Return gas temp.													
Liquid temp.													
	[°F]	[°F]	[°F]	[°F]	[kcal/h]								
	-10	130	90	90	151,2		1,98	6,75	1,70	88,8	0,40	1,89	ASHRAE LBP
	[°C]	[°C]	[°C]	[°C]	[W]	[Btu/h]	[W/W]	[Btu/Wh]	[kcal/Wh]	[W]	[A]	[kg/h]	
	-25	55	32	55	131,5	449	1,55	5,30	1,34	84,7	0,38	1,72	cecomaf LBP
	-13	131	90	131									
	[°F]	[°F]	[°F]	[°F]	[kcal/h]								
	-13	131	90	131	113,2		1,55	5,30	1,34	84,7	0,38	1,72	cecomaf LBP
	[°C]	[°C]	[°C]	[°C]	[W]	[Btu/h]	[W/W]	[Btu/Wh]	[kcal/Wh]	[W]	[A]	[kg/h]	
	-35	40	20	40	91,9	314	1,58	5,39	1,36	58,3	0,26	1,12	EN12900 LBP
	-31	104	68	104									
	[°F]	[°F]	[°F]	[°F]	[kcal/h]								
	-31	104	68	104	79,1		1,58	5,39	1,36	58,3	0,26	1,12	EN12900 LBP
	[°C]	[°C]	[°C]	[°C]	[W]	[Btu/h]	[W/W]	[Btu/Wh]	[kcal/Wh]	[W]	[A]	[kg/h]	
	-23	49	4,4	49	143,8	491	1,67	5,71	1,44	86,1	0,39	2,10	ARI540 LBP
	-10	120	40	120									
	[°F]	[°F]	[°F]	[°F]	[kcal/h]								
	-10	120	40	120	123,8		1,67	5,71	1,44	86,1	0,39	2,10	ARI540 LBP
	[°C]	[°C]	[°C]	[°C]	[W]	[Btu/h]	[W/W]	[Btu/Wh]	[kcal/Wh]	[W]	[A]	[kg/h]	
	-23	41	32	32	190,3	650	2,33	7,96	2,01	81,7	0,37	2,04	AHAM LBP
	-10	105	90	90									
	[°F]	[°F]	[°F]	[°F]	[kcal/h]								
	-10	105	90	90	163,8		2,33	7,96	2,01	81,7	0,37	2,04	AHAM LBP
	[°C]	[°C]	[°C]	[°C]	[W]	[Btu/h]	[W/W]	[Btu/Wh]	[kcal/Wh]	[W]	[A]	[kg/h]	
	-35	45	32	45	87,2	298	1,48	5,06	1,28	58,9	0,26	1,04	opt
	-31	113	90	113									
	[°F]	[°F]	[°F]	[°F]	[kcal/h]								
	-31	113	90	113	75,1		1,48	5,06	1,28	58,9	0,26	1,04	opt

Performance tables

R600a, 220V/50Hz, RSCR, static, VDE, CB

	pe	Cooling capacity			COP	EER	P1	I	m		
	[°C]	[°F]	[W]	[Btu/h]	[kcal/h]	[W/W]	[Btu/Wh]	[kcal/Wh]	[W]	[A]	[kg/h]
[°C / °F]	-35	-31	87,2	298	75,1	1,48	5,06	1,28	58,9	0,26	1,04
cond. pressure	-30	-22	117,6	401	101,2	1,69	5,78	1,46	69,5	0,31	1,40
pc= 45/113	-25	-13	154,1	526	132,6	1,92	6,55	1,65	80,3	0,36	1,83
return gas temp.	-23	-10	168,2	574	144,7	2,00	6,83	1,72	84,1	0,38	2,00
RGT= 32/90	-20	-4	197,9	676	170,3	2,16	7,37	1,86	91,7	0,41	2,36
liquid temp	-15	5	249,8	853	215,0	2,41	8,21	2,07	103,8	0,47	2,98
Tliq= 45/113	-10	14	310,7	1061	267,4	2,65	9,06	2,28	117,1	0,53	3,72
[°C / °F]	-35	-31	70,5	241	60,7	1,21	4,12	1,04	58,4	0,26	0,92
cond. pressure	-30	-22	98,2	335	84,5	1,37	4,69	1,18	71,6	0,32	1,28
pc= 55/131	-25	-13	131,5	449	113,2	1,55	5,30	1,34	84,7	0,38	1,72
return gas temp	-23	-10	144,2	493	124,1	1,62	5,52	1,39	89,2	0,40	1,88
RGT= 32/90	-20	-4	171,3	585	147,4	1,75	5,97	1,50	98,1	0,44	2,24
liquid temp	-15	5	218,5	746	188,1	1,95	6,66	1,68	112,0	0,50	2,86
Tliq= 55/131	-10	14	274,1	936	235,9	2,16	7,38	1,86	126,8	0,57	3,60



NL Compressors

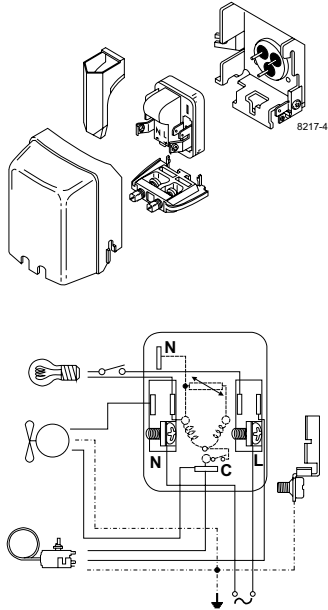
SECCP

Keep electrical equipment clear from oil, chemicals, and water

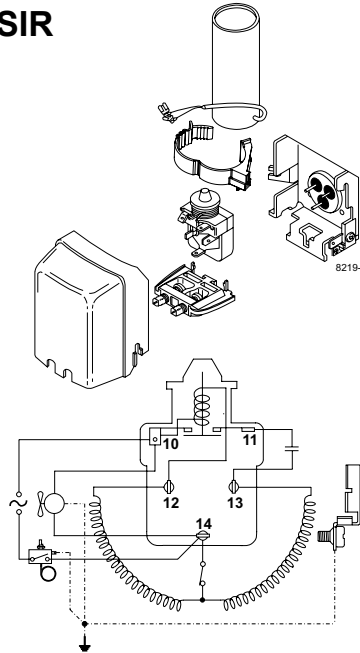


When operated with a flammable refrigerant, only spark-proof starting equipment is allowed.

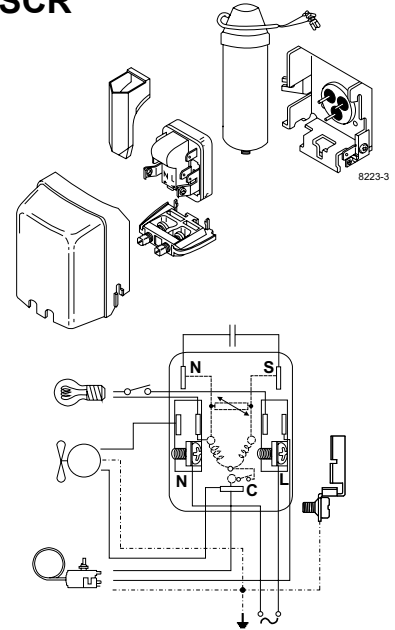
RSIR

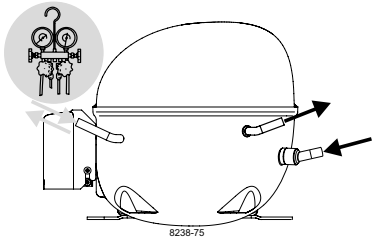


CSIR



RSCR





NL Compressors

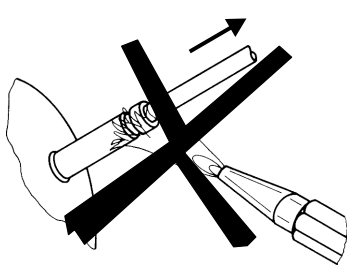


Keep electrical equipment clear from oil, chemicals, and water

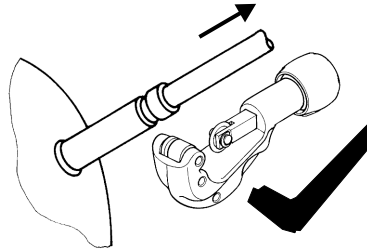


When operated with a flammable refrigerant, only spark-proof starting equipment is allowed.

Service/Repair – R290, R600a, R170, R1270, R1234yf (applies to all flammable refrigerants)

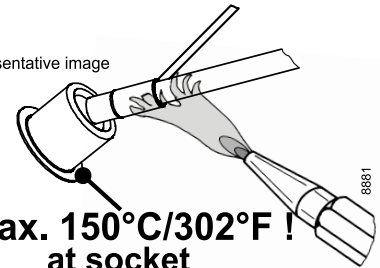


8545



Brazing on Suction Connectors (Direct Intake)

representative image



**! max. 150°C/302°F !
at socket**
brazing solder: phosphor (LP7) or silver

Refer to Product Bulletin:
**Brazing on Suction Connectors
(Compressors with Direct Suction Intake)**

Dismantling, recycling, disposal: At the end of a compressor's lifecycle, proceed by separating and storing components according to their environmental impact. Parts that may cause pollution must be clearly identified and handled separately, ensuring appropriate disposal. Refrigerant gas must not be released into the environment and should be recovered by qualified operators. Compressor oil must also be collected separately. The compressor should be disposed of at specialized disposal centers in accordance with the applicable regulations. **Subject to modifications/alterations. www.seccp.com**