

## BD35K Direct Current Compressor R600a, 12/24V DC, 10-45V DC Solar, & 100-240V AC 50/60Hz



### General

Code number (without electronic units)	101Z0211
Electronic unit 12/24V DC - Standard	101N0212, 30 pcs: 101N0213
Electronic unit 12/24V DC - AEO	101N0340, 30 pcs: 101N0341
Electronic unit 10-45V DC - Solar	101N0420, 30 pcs: 101N0421
Electronic unit 12/24V DC & 100-240V AC 50/60Hz	101N0510, 28 pcs: 101N0511
Electronic unit 12/24V DC - Automotive	101N0650, 30 pcs: 101N0651
Compressors on pallet	150

### Approvals

-
CB / VDE
CB / VDE
CB / VDE
CB / VDE



### Application

Application	LBP/MBP/HBP
Evaporating temperature °C	-30 to 0 (10)
Voltage range DC VDC	9.6 - 17 / 21.3 - 31.5
Voltage range AC V/Hz	100 - 240 / 50/60
Voltage range for solar applications VDC	10 - 45
Max. condensing temperature continuous (short) °C	60 (70)
Max. winding temperature continuous (short) °C	125 (135)

### Cooling requirements

Application	LBP	MBP	HBP
32°C	S	S	S
38°C	S	S	S
43°C	S	S	S

Remarks on application: Fan cooling F1 depending on application and speed.

### Motor

Motor type	variable speed
Resistance, all 3 windings (25°C) Ω	1.8

### Design

Displacement cm <sup>3</sup>	3.00
Oil quantity (type) cm <sup>3</sup>	150 (polyolester)
Maximum refrigerant charge g	120
Free gas volume in compressor cm <sup>3</sup>	870
Weight - Compressor/Electronic unit kg	4.3 / 0.19 (Standard)

### Standard battery protection settings (refer to electronic unit Instructions for optional settings)

Voltage	12V	24V
Cut out VDC	10.4	22.8
Cut in VDC	11.7	24.2

### Dimensions

Height mm	A	137
	B	135
	B1	128
	B2	73
Suction connector location/I.D. mm   angle	C	6.2   40°
	material   comment	Cu-plated steel   Al cap
Process connector location/I.D. mm   angle	D	6.2   45°
	material   comment	Cu-plated steel   Al cap
Discharge connector location/I.D. mm   angle	E	5.0   21°
	material   comment	Cu-plated steel   Al cap
Connector tolerance I.D. mm		±0.09, on 5.0 +0.12/+0.20

Remarks:

### BD35K

only with BD controller

SECOP

Red stripe

R600a



serial number 101Z0211

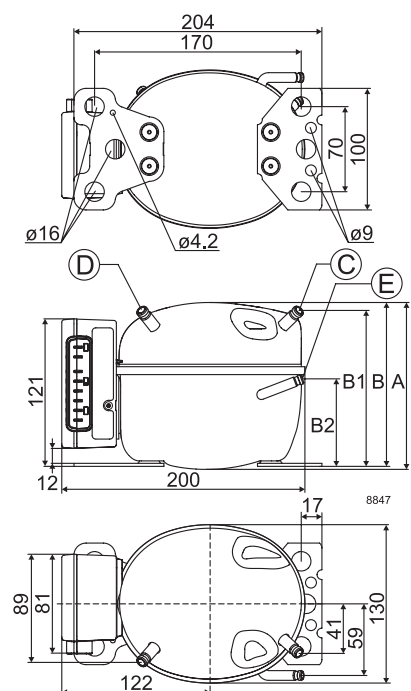
Barcode on white background

Grey background

Country of origin or manufacturer

Made by Secop

- S = Static cooling normally sufficient
- O = Oil cooling
- F<sub>1</sub> = Fan cooling 1.5 m/s  
(compressor compartment temperature equal to ambient temperature)
- F<sub>2</sub> = Fan cooling 3.0 m/s necessary
- SG = Suction gas cooling normally sufficient
- = not applicable in this area



Capacity (EN 12900 Household/CECOMAF)												
											12V DC, static cooling	watt
rpm \ °C	-30	-25	-23.3	-20	-15	-10	-5	0	5	7.2	10	15
2,000	13.1	20.9	23.8	29.8	39.7	51.1	64.1	79.1	96.2	104	116	
2,500	16.8	25.2	28.4	35.2	47.0	60.9	77.2	96.0	118	128		
3,000	21.1	30.6	34.3	42.2	56.2	72.7	92.2	115				
3,500	25.0	36.0	40.2	49.1	65.0	83.8	106					

Capacity (ASHRAE LBP)												
											12V DC, static cooling	watt
rpm \ °C	-30	-25	-23.3	-20	-15	-10	-5	0	5	7.2	10	15
2,000	16.0	25.6	29.1	36.3	48.5	62.4	78.4	97	118	128	142	
2,500	20.7	30.9	34.8	43.1	57.5	74.5	94.3	117	144	157		
3,000	25.8	37.4	42.0	51.6	68.6	88.9	113	140				
3,500	30.6	43.9	49.0	60.0	79.2	102	129					

Power consumption												
											12V DC, static cooling	watt
rpm \ °C	-30	-25	-23.3	-20	-15	-10	-5	0	5	7.2	10	15
2,000	17.5	21.5	22.8	25.4	29.1	32.8	36.5	40.2	44.1	45.8	48.0	
2,500	22.9	27.2	28.6	31.3	35.4	39.5	43.6	48.0	52.5	54.5		
3,000	28.9	34.6	36.4	40.0	45.4	50.9	56.5	62.5				
3,500	33.7	41.1	43.5	47.8	54.1	60.4	67.1					

Current consumption (for 24V applications the following must be halved)												
											A	
rpm \ °C	-30	-25	-23.3	-20	-15	-10	-5	0	5	7.2	10	15
2,000	1.48	1.80	1.91	2.12	2.43	2.74	3.04	3.35	3.65	3.79	3.97	
2,500	1.90	2.28	2.40	2.63	2.98	3.32	3.67	4.02	4.40	4.57		
3,000	2.36	2.87	3.03	3.34	3.79	4.23	4.69	5.16				
3,500	2.81	3.42	3.61	3.98	4.52	5.04	5.58					

COP (EN 12900 Household/CECOMAF)												
											12V DC, static cooling	W/W
rpm \ °C	-30	-25	-23.3	-20	-15	-10	-5	0	5	7.2	10	15
2,000	0.75	0.97	1.04	1.17	1.36	1.56	1.76	1.97	2.18	2.28	2.41	
2,500	0.73	0.93	1.00	1.12	1.33	1.54	1.76	1.99	2.23	2.34		
3,000	0.73	0.89	0.94	1.05	1.24	1.43	1.63	1.84				
3,500	0.74	0.87	0.92	1.03	1.20	1.39	1.58					

COP (ASHRAE LBP)												
											12V DC, static cooling	W/W
rpm \ °C	-30	-25	-23.3	-20	-15	-10	-5	0	5	7.2	10	15
2,000	0.91	1.19	1.27	1.43	1.67	1.91	2.15	2.41	2.69	2.81	2.97	
2,500	0.90	1.14	1.22	1.38	1.63	1.89	2.16	2.45	2.74	2.87		
3,000	0.89	1.08	1.15	1.29	1.51	1.75	2.00	2.26				
3,500	0.90	1.07	1.13	1.26	1.47	1.70	1.94					

Test conditions with electronic units		EN 12900/CECOMAF	ASHRAE LBP
Condensing temperature	101N0212 101N0340 101N0650	55°C	54.4°C
Ambient temperature		32°C	32°C
Suction gas temperature		32°C	32°C
Liquid temperature		no subcooling	32°C

Accessories for BD35K		Code number
Bolt joint for one comp.	Ø:16 mm	118-1917
Bolt joint in quantities	Ø:16 mm	118-1918
Snap-on in quantities	Ø:16 mm	118-1919
Remote kit (without cable)		105N9210
One Wire/LIN gateway		105N9501
DC usage:	Automobile fuse, DIN 7258 12V: 15A   24V: 7.5 A	Not deliverable from Secop
	Main switch min. 20A	
AC usage:	Fuse, 100-240V	Not deliverable from Secop
	Main switch min. 6A	

Compressor speed		
Electronit unit	Resistor (R1) [Ω]	Motor speed
Code number	calculated values	[rpm]
	0	2,000
	277	2,500
101N0212	692	3,000
101N0510	1523	3,500
101N0650	0	AEO
101N0340 101N0420 with AEO	173	2,000
	450	2,500
	865	3,000
	1696	3,500

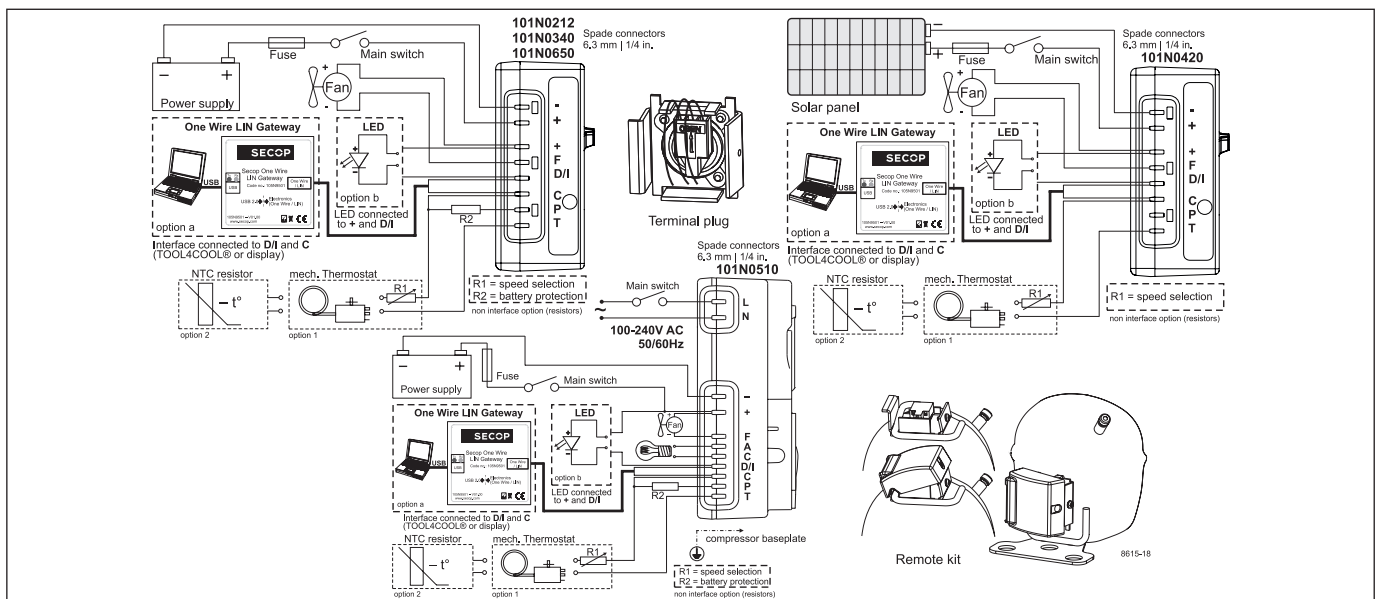
In AEO (Adaptive Energy Optimizing) speed mode the BD compressor will always adapt its speed to the actual cooling demand.

Wire dimensions DC						
Cross section	Size		Max. length* 12V operation		Max. length* 24V operation	
	[mm <sup>2</sup> ]	AWG	[m]	[ft.]	[m]	[ft.]
2.5	12	12	2.5	8	5	16
4	12	12	4	13	8	26
6	10	10	6	20	12	39
10	8	8	10	33	20	66

\*Length between battery and electronic unit

Wire dimensions AC  
Cross section min. 0.75 mm<sup>2</sup> or AWG 18

Operational errors	
Error code or LED flashes	Error type
	Can be read out in the software <b>TOOL4COOL®</b>
6	<b>Thermostat failure</b> (If the NTC thermistor is short-circuit or has no connection).
5	<b>Thermal cut-out of electronic unit</b> (If the refrigeration system has been too heavily loaded, or if the ambient temperature is high, the electronic unit will run too hot).
4	<b>Minimum motor speed error</b> (If the refrigeration system is too heavily loaded, the motor cannot maintain minimum speed at approximately 1,850 rpm).
3	<b>Motor start error</b> (The rotor is blocked or the differential pressure in the refrigeration system is too high (>5 bar)).
2	<b>Too many start attempts or fan over current</b> (Too many compressor or fan starts in short time or fan current higher than 0.5A <sub>avg</sub> ).
1	<b>Battery protection cut-out</b> (The voltage is outside of the cut-out setting).



Secop accepts no responsibility for possible errors in catalogs, brochures, and other printed material. Secop reserves the right to alter its products without notice. This also applies to products already on order provided that such alterations can be made without consequential changes being necessary to specifications already agreed. All trademarks in this material are the property of the respective companies. Secop and the Secop logotype are trademarks of Secop GmbH. All rights reserved. [www.secop.com](http://www.secop.com)