

DLE10KK Energy-optimized Compressor R600a 220-240V 50Hz

General

Code number	102H4082
Approvals	EN 60335-2-34 with Annex AA
Compressors on pallet	100

Application

Application	LBP		
Frequency	Hz	50	60
Evaporating temperature	°C	-35 to -10	-
Voltage range	V	198 - 254	-
Max. condensing temperature continuous (short)	°C	60 (70)	-
Max. winding temperature continuous (short)	°C	110 (125)	-

Cooling requirements

Frequency	Hz	50			60		
Application		LBP	MBP	HBP	LBP	MBP	HBP
32°C		S	-	-	-	-	-
38°C		S	-	-	-	-	-
43°C		S	-	-	-	-	-
Remarks on application:							

Motor

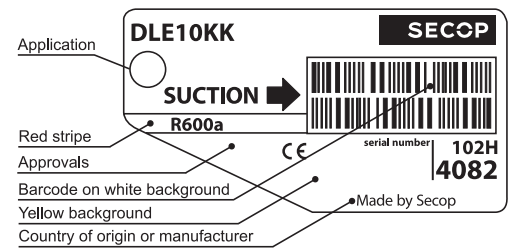
Motor type	RSIR/RSCR		
LRA (rated after 4 sec. UL984), HST LST	A	-	5.0
Cut in Current, HST LST	A	-	10.1
Resistance, main start winding (25°C)	Ω	20.7	11.4

Design

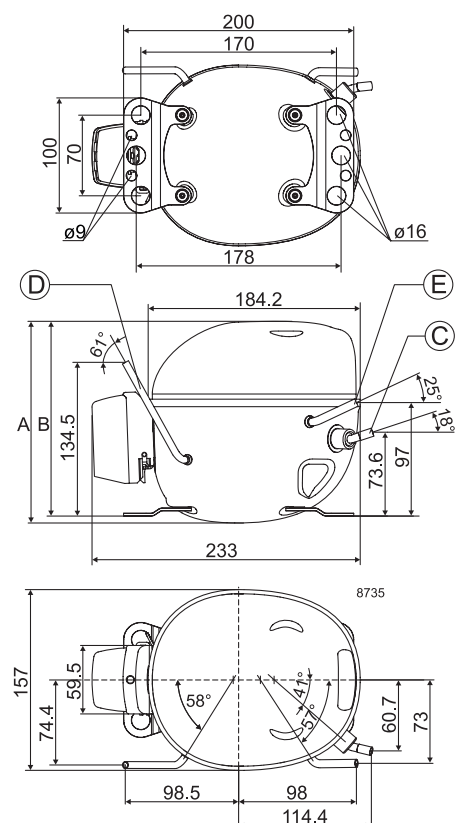
Displacement	cm ³	10.14
Oil quantity (type)	cm ³	155 (mineral)
Maximum refrigerant charge	g	150
Free gas volume in compressor	cm ³	1440
Weight without electrical equipment	kg	8.0

Dimensions

Height	mm	A	175
		B	169
		B1	-
		B2	-
Suction connector	location/I.D. mm angle	C	6.2 18°
	material comment		Copper Rubber plug
Process connector	location/I.D. mm angle	D	4.5 60°
	material comment		Copper Rubber plug
Discharge connector	location/I.D. mm angle	E	5.0 25°
	material comment		Copper Rubber plug
Oil cooler connector	location/I.D. mm angle	F	-
	material comment		-
Connector tolerance	I.D. mm		±0.09, on 5.0 +0.12/+0.22 on 4.5 +0.10/-0.20
Remarks:			



- S = Static cooling normally sufficient
- O = Oil cooling
- F₁ = Fan cooling 1.5 m/s (compressor compartment temperature equal to ambient temperature)
- F₂ = Fan cooling 3.0 m/s necessary
- SG = Suction gas cooling normally sufficient
- = not applicable in this area



EN 12900 Household (CECOMAF) 220V, 50Hz, 2 W PTC consumption incl., static cooling

Evap. temp. in °C	-45	-40	-35	-30	-25	-23.3	-20	-15	-10	-6.7	-5	0	5	7.2	10	15	20
Capacity in W			78	108	138	149	173	216	271								
Power cons. in W			84	99	112	117	127	143	162								
Current cons. in A			0.70	0.74	0.78	0.79	0.82	0.88	0.94								
COP in W/W			0.93	1.09	1.23	1.28	1.37	1.52	1.68								

ASHRAE LBP 220V, 50Hz, 2 W PTC consumption incl., static cooling

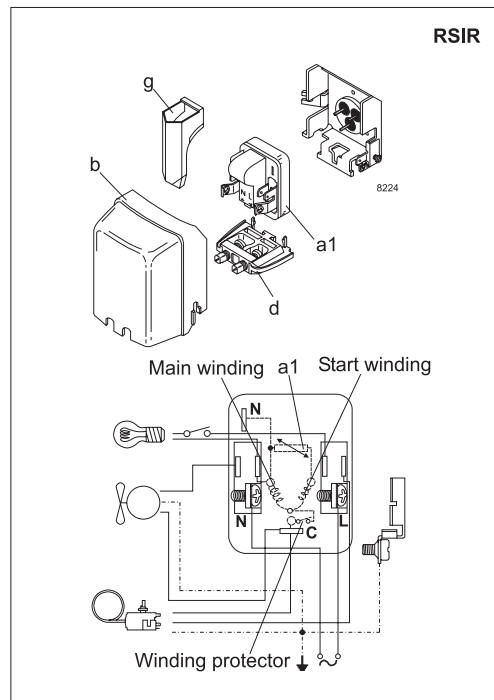
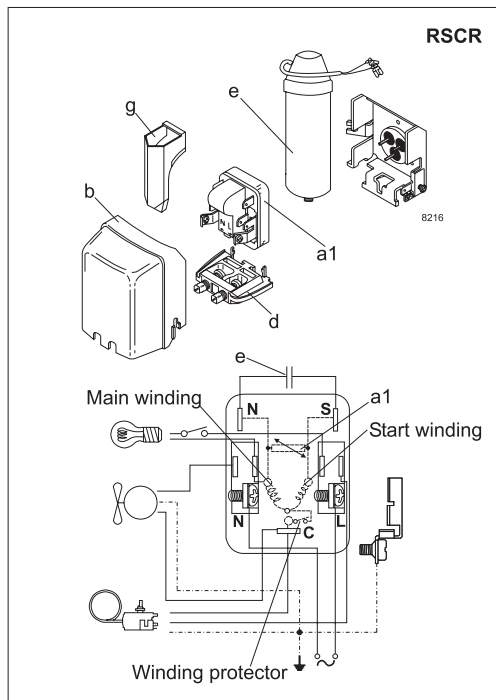
Evap. temp. in °C	-45	-40	-35	-30	-25	-23.3	-20	-15	-10	-6.7	-5	0	5	7.2	10	15	20
Capacity in W			95	131	168	182	211	264	331								
Power cons. in W			84	98	112	117	126	142	161								
Current cons. in A			0.70	0.73	0.77	0.79	0.82	0.88	0.94								
COP in W/W			1.13	1.33	1.50	1.56	1.67	1.86	2.06								

EN 12900 Household (CECOMAF) 220V, 50Hz, RC 4 µF, 2 W PTC consumption incl., static cooling

Evap. temp. in °C	-45	-40	-35	-30	-25	-23.3	-20	-15	-10	-6.7	-5	0	5	7.2	10	15	20
Capacity in W			78	108	138	149	174	217	273								
Power cons. in W			80	94	107	111	120	134	152								
Current cons. in A			0.45	0.50	0.55	0.57	0.61	0.67	0.75								
COP in W/W			0.98	1.15	1.30	1.35	1.45	1.62	1.80								

ASHRAE LBP 220V, 50Hz, RC 4 µF, 2 W PTC consumption incl., static cooling

Evap. temp. in °C	-45	-40	-35	-30	-25	-23.3	-20	-15	-10	-6.7	-5	0	5	7.2	10	15	20
Capacity in W			96	131	168	182	212	265	333								
Power cons. in W			80	94	106	111	119	134	151								
Current cons. in A			0.45	0.50	0.55	0.57	0.61	0.67	0.74								
COP in W/W			1.19	1.40	1.58	1.65	1.77	1.98	2.21								



Accessories for	DLE10KK	Figure	Code number
PTC starting device	6.3 mm spade connectors	a1	103N0016
	4.8 mm spade connectors		103N0021
ePTC starting device	4.8 mm spade connectors		103N0050
Cover		b	103N0491
Run capacitor 4 µF (optional)	6.3 mm spade connectors	e	-
	4.8 mm spade connectors		117-7119
Cord relief		d	103N1010
Protection screen for PTC		g	103N0476

Test conditions	EN 12900/CECOMAF	ASHRAE LBP
Condensing temperature	55°C	54.4°C
Ambient temperature	32°C	32°C
Suction gas temperature	32°C	32°C
Liquid temperature	no subcooling	32°C

Mounting accessories		Code number
Bolt joint for one comp.	Ø: 16 mm	118-1917
Bolt joint in quantities	Ø: 16 mm	118-1918
Snap-on in quantities	Ø: 16 mm	118-1919

Secop accepts no responsibility for possible errors in catalogs, brochures, and other printed material. Secop reserves the right to alter its products without notice. This also applies to products already on order provided that such alterations can be made without consequential changes being necessary to specifications already agreed. All trademarks in this material are the property of the respective companies. Secop and the Secop logotype are trademarks of Secop GmbH. All rights reserved. www.secop.com