

## Model

Designation	<b>DLE4CN</b>	115-127V/60Hz 1~	Sales code:	<b>102H3483</b>
-------------	---------------	------------------	-------------	-----------------

## Compressor design

Oil type	Polyolester	Refrigerant(s)	<b>R290</b>
Oil viscosity	32cSt	Displacement	4cm <sup>3</sup> / 0,24cu.in
Oil quantity	221cm <sup>3</sup> / 7,5fl.oz	Compressors on pallet	80
Refr. charge - tech. limit	150g / 5,3oz		
Free gas volume comp.	1465cm <sup>3</sup> / 49,5fl.oz		
Weight	8,2kg / 18,1lbs		
Motor protection	1# internal		
Winding resistance main	3,61Ω (at 25°C)		
Winding resistance aux	5,93Ω (at 25°C)		
Max. winding temp.	125°C / 257°F		
Max. discharge temp.	120°C / 248°F		



## General - Configurations with DLE4CN

Conf. 1	
Motorconfiguration	CSIR
Power supply (nominal)	115V/60Hz
Number of phases	1
Voltage range	95-135V
Approvals	UL
Starting torque	HST
Note	Electrical equipment is included and pre-assembled to compressor.

## Applications with DLE4CN

Conf. 1	
Refrigerant	R290
Application	LBP+MBP
System cooling	static
Hot gas defrost	OK
Long interval pull down	OK

## Electrical data - Configurations with DLE4CN

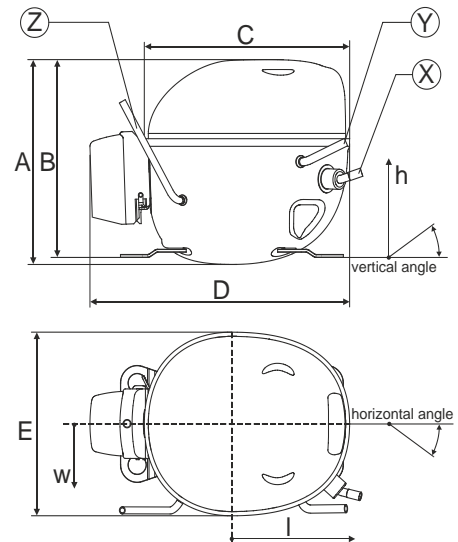
Conf. 1	
Starting device type	relay
Run capacitor	0μF
Start capacitor	240μF
LRA (locked rotor amps / 4s)	16,6A
RLA (rated load amps / 1s)	2,53A
Cut in current	16,6A
IP class	21

## Model

Designation	<b>DLE4CN</b>	115-127V/60Hz 1~	Sales code:	<b>102H3483</b>
-------------	---------------	------------------	-------------	-----------------

## Compressor dimensions

<b>Housing</b>	A Height	174mm / 6,85in
	B Height	168mm / 6,61in
	C Length shell	183mm / 7,2in
	D Length w. cover	232mm / 9,13in
	E Width	156mm / 6,14in



Connectors		Suction	Discharge	Process
		X	Y	Z
Diameter	[mm]	øi 8,11-8,29	øi 6,41-6,59	øi 6,4-6,6
	(i:inside, o:outside) [in]	øi 0,32-0,33	øi 0,25-0,26	øi 0,25-0,26
Material		copper	copper	copper
Horizontal angle	±2°	10°	0°	0
Vertical angle	±2°	18°	25°	119°
Position l/h/w	[mm]	135/77/67	98/96/72	-98/133/73
	[in]	5,3/3/2,6	3,8/3,8/2,8	-3,9/5,2/2,9
Straight tube l.	[mm]	12	12	12
	[in]	0,5	0,5	0,5

## Compressor fixation

Baseplate	[mm]	[inch]
BI	200	7.87
BW	130.6	5.14
øE	ø 9	ø 0.35

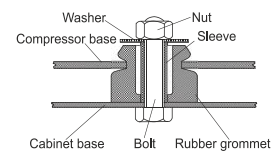
  

Large holes	[mm]	[inch]
LI	165	6.5
LW	101.6	4
øL	ø 19	ø 0.75

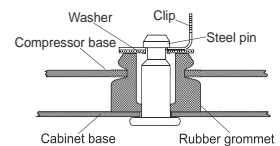
  

Small holes	[mm]	[inch]
SI	170	6.7
SW	70	2.76
øS	ø 16	ø 0.63

### Bolt joint



### Snap-on



## Mounting accessories

	one comp.	multi pack
Bolt joint   M6   ø16mm	118-1917	118-1918
Bolt joint   ø1/4"   ø16mm	118-1946	
Bolt joint   ø1/4"   ø19mm	118-1949	
Snap-on   ø7,3   ø16mm	118-1947	118-1919

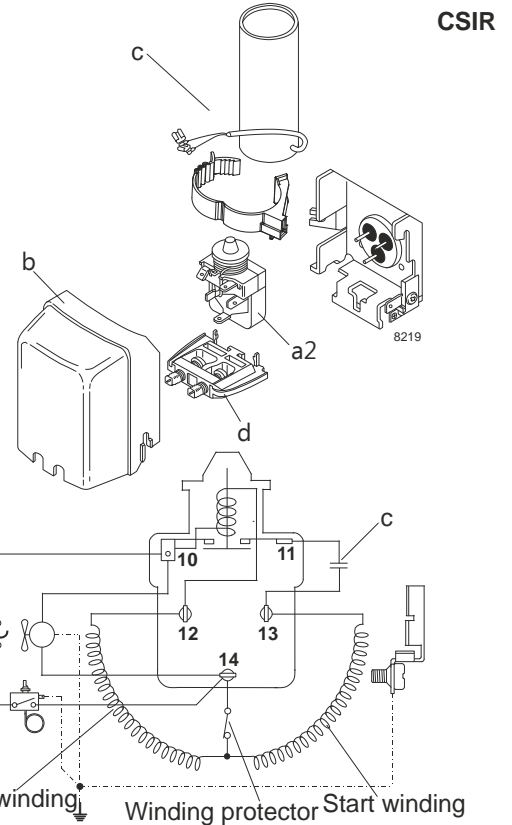
### Model

Designation	<b>DLE4CN</b>	<b>115V/60Hz</b>	<b>Conf. 1</b>	Sales code:	<b>102H3483</b>
-------------	---------------	------------------	----------------	-------------	-----------------

### Configuration

Motorconfiguration	CSIR	
Power supply (nominal)	115V/60Hz 1~	
Refrigerant	R290	
Application	LBP+MBP	
Voltage range	95-135V	
Starting torque	HST	
Approvals	UL	SA3693

### Electrical accessories / wiring diagram

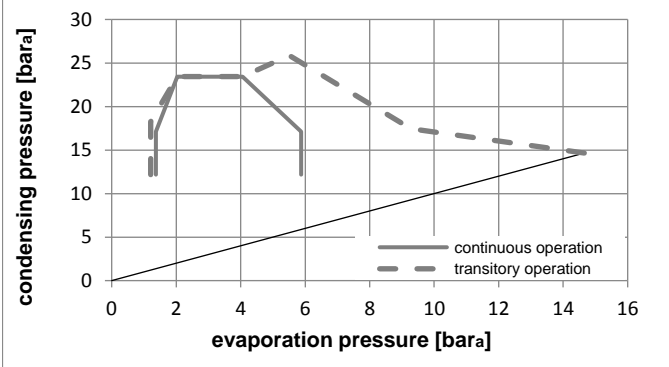
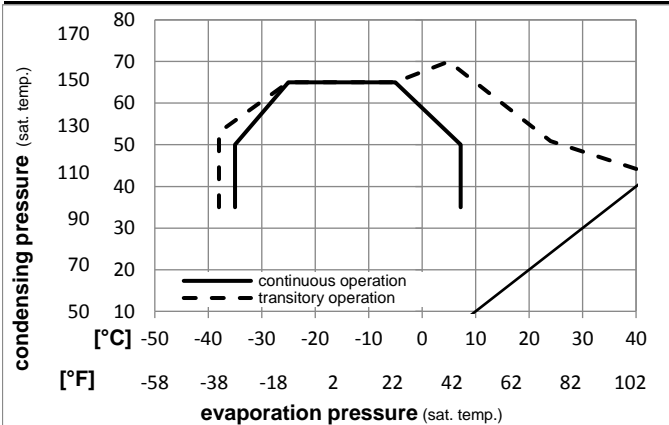


### Ambient temperatures / system cooling

Ambient temperature min.:	10°C / 50°F
Ambient temperature max.:	43°C / 110°F

System cooling			
T ambient	LBP	MBP	HBP
32°C / 90°F	static	static	n/a
38°C / 100°F	static	static	n/a
43°C / 110°F	fan 3m/s	fan 3m/s	n/a

### Operation pressure range



### Components (already pre-assembled)

a2	relay	117U7022
c	start capacitor (240μF)	117U5023
b	plastic cover	103N0492
d	cord relief	103N1010

## Model

Designation	<b>DLE4CN</b>	<b>115V/60Hz</b>	<b>Conf. 1</b>	Sales code:	<b>102H3483</b>
-------------	---------------	------------------	----------------	-------------	-----------------

## Optimization + standard conditions

115V/60Hz 1~, CSIR, fan 3m/s, UL

	Evaporating pressure (saturation temperature)				Condensing pressure (saturation temperature)						Power consumption			ASHRAE LBP
	pe	pc	RGT	Tliq	Cooling capacity			COP	EER	P1	I	Ref. mass flow		
	[°C]	[°F]	[°C]	[°F]	[W]	[Btu/h]	[kcal/h]	[W/W]	[Btu/Wh]	[kcal/Wh]	[W]	[A]	[kg/h]	
	-23,3	54,4	32,2	32,2	229,3	783	197,3	1,50	5,11	1,29	153,2	1,88	2,32	ASHRAE LBP
	-10	130	90	90										
	-25	55	32	55	171,7	586	147,8	1,16	3,95	1,00	148,3	1,85	2,14	cecomaf LBP
	-13	131	89,6	131										
	-35	40	20	40	132,0	451	113,6	1,16	3,96	1,00	113,9	1,71	1,51	EN12900 LBP
	-31	104	68	104										
	-6,66	54,4	35	46,1	414,5	1416	356,7	2,03	6,94	1,75	203,9	2,28	4,73	ASHRAE MBP
	20	130	95	115										
	-10	55	32	55	328,0	1120	282,3	1,68	5,74	1,45	195,2	2,20	4,15	cecomaf MBP
	14	131	89,6	131										
	-10	45	20	45	369,0	1260	317,5	2,06	7,05	1,78	178,8	2,11	4,53	EN12900 MBP
	14	113	68	113										

## Performance tables

115V/60Hz 1~, CSIR, fan 3m/s, UL

	pe	Cooling capacity			COP	EER	P1	I	m		
	[°C]	[°F]	[W]	[Btu/h]	[kcal/h]	[W/W]	[Btu/Wh]	[kcal/Wh]	[W]	[A]	[kg/h]
[°C / °F]	-35	-31	125,8	429	108,2	1,09	3,71	0,93	115,8	1,72	1,41
cond. pressure	-23,3	-10	220,9	754	190,1	1,51	5,16	1,30	146,1	1,87	2,49
pc= 45/113	-15	5	315,1	1076	271,1	1,88	6,43	1,62	167,3	2,02	3,58
return gas temp.	-9,4	15	392,4	1340	337,7	2,18	7,45	1,88	180,0	2,12	4,49
RGT= 32/90	-3,9	25	483,0	1650	415,7	2,53	8,64	2,18	190,8	2,19	5,57
liquid temp	0	32	554,9	1895	477,6	2,82	9,62	2,42	197,0	2,23	6,44
Tliq= 45/113	7,2	45	708,7	2420	610,0	3,46	11,83	2,98	204,7	2,25	8,33
[°C / °F]	-35	-31	103,5	353	89,0	0,88	2,99	0,75	118,0	1,72	1,28
cond. pressure	-23,3	-10	185,6	634	159,7	1,21	4,13	1,04	153,6	1,88	2,31
pc= 55/131	-15	5	267,5	913	230,2	1,49	5,08	1,28	180,0	2,08	3,36
return gas temp.	-9,4	15	335,3	1145	288,5	1,70	5,82	1,47	196,9	2,22	4,24
RGT= 32/90	-3,9	25	415,2	1418	357,3	1,95	6,67	1,68	212,5	2,35	5,30
liquid temp	0	32	479,0	1636	412,2	2,15	7,35	1,85	222,4	2,44	6,15
Tliq= 55/131	7,2	45	616,3	2105	530,4	2,59	8,86	2,23	237,7	2,56	8,03