

Model

Designation	DLE4CN	115-127V/60Hz 1~	Sales code:	102H3485
-------------	---------------	------------------	-------------	-----------------

Compressor design

Oil type	Polyolester	Refrigerant(s)	R290
Oil viscosity	32cSt	Displacement	4cm ³ / 0,24cu.in
Oil quantity	221cm ³ / 7,5fl.oz	Compressors on pallet	80
Refr. charge - tech. limit	150g / 5,3oz		
Free gas volume comp.	1465cm ³ / 49,5fl.oz		
Weight	8kg / 17,6lbs		
Motor protection	1# internal		
Winding resistance main	2,72Ω (at 25°C)		
Winding resistance aux	6,35Ω (at 25°C)		
Max. winding temp.	125°C / 257°F		
Max. discharge temp.	120°C / 248°F		



General - Configurations with DLE4CN

Conf. 1	
Motorconfiguration	RSCR
Power supply (nominal)	115V/60Hz
Number of phases	1
Voltage range	95-135V
Approvals	UL
Starting torque	LST
Note	Electrical equipment is included and pre-assembled to compressor.

Applications with DLE4CN

Conf. 1	
Refrigerant	R290
Application	LBP+MBP
System cooling	static
Hot gas defrost	OK
Long interval pull down	OK

Electrical data - Configurations with DLE4CN

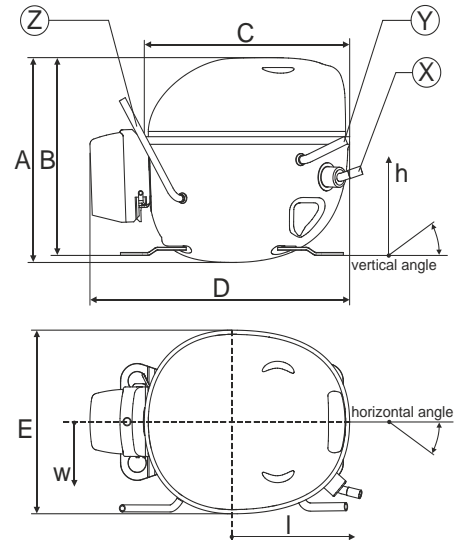
Conf. 1	
Starting device type	PTC
Run capacitor	15μF
Start capacitor	0μF
LRA (locked rotor amps / 4s)	12,7A
RLA (rated load amps / 1s)	2,4A
Cut in current	20,9A
IP class	21

Model

Designation	DLE4CN	115-127V/60Hz 1~	Sales code:	102H3485
-------------	---------------	------------------	-------------	-----------------

Compressor dimensions

Housing	A Height	174mm / 6,85in
	B Height	168mm / 6,61in
	C Length shell	183mm / 7,2in
	D Length w. cover	232mm / 9,13in
	E Width	156mm / 6,14in



Connectors		Suction	Discharge	Process
		X	Y	Z
Diameter	[mm]	øi 8,11-8,29	øi 6,41-6,59	øi 6,4-6,6
(i:inside, o:outside)	[in]	øi 0,32-0,33	øi 0,25-0,26	øi 0,25-0,26
Material		copper	copper	copper
Horizontal angle	±2°	10°	0°	0
Vertical angle	±2°	18°	25°	119°
Position l/h/w	[mm]	135/77/67	98/96/72	-98/133/73
	[in]	5,3/3/2,6	3,8/3,8/2,8	-3,9/5,2/2,9
Straight tube l.	[mm]	12	12	12
	[in]	0,5	0,5	0,5

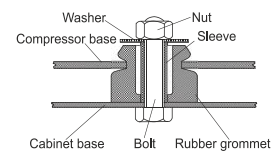
Compressor fixation

Baseplate	[mm]	[inch]
BI	200	7.87
Bw	130.6	5.14
øE	ø 9	ø 0.35

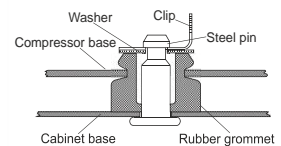
Large holes	[mm]	[inch]
LI	165	6.5
LW	101.6	4
øL	ø 19	ø 0.75

Small holes	[mm]	[inch]
SI	170	6.7
SW	70	2.76
øS	ø 16	ø 0.63

Bolt joint



Snap-on



Mounting accessories	one comp.	multi pack
Bolt joint M6 ø16mm	118-1917	118-1918
Bolt joint ø1/4" ø16mm	118-1946	
Bolt joint ø1/4" ø19mm	118-1949	
Snap-on ø7,3 ø16mm	118-1947	118-1919

Model

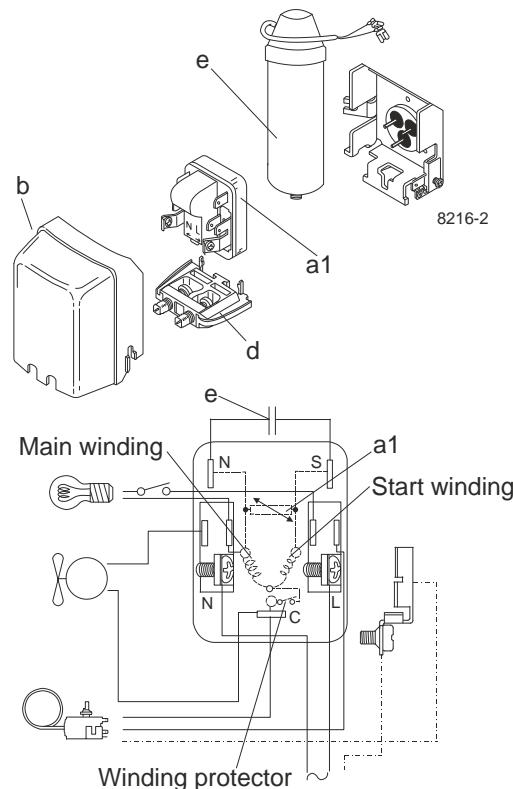
Designation	DLE4CN	115V/60Hz	Conf. 1	Sales code:	102H3485
-------------	---------------	------------------	----------------	-------------	-----------------

Configuration

Motorconfiguration	RSCR
Power supply (nominal)	115V/60Hz 1~
Refrigerant	R290
Application	LBP+MBP
Voltage range	95-135V
Starting torque	LST
Approvals	UL SA3693

Electrical accessories / wiring diagram

RSCR



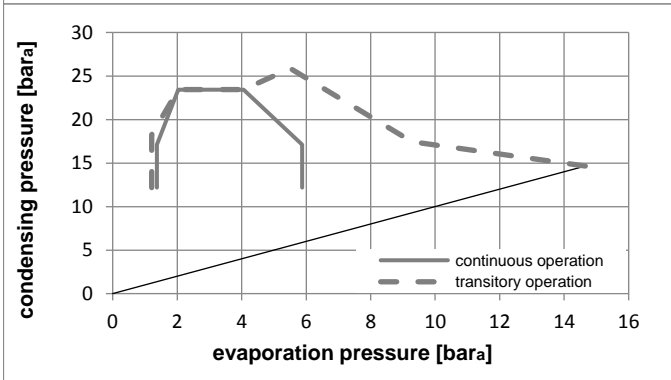
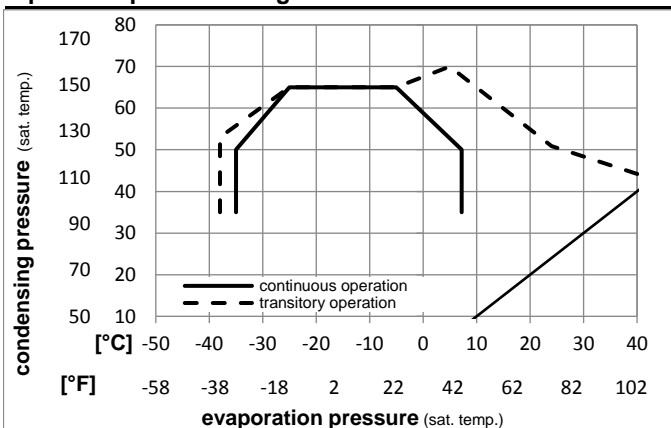
Ambient temperatures / system cooling

Ambient temperature min.:	10°C / 50°F
Ambient temperature max.:	43°C / 110°F

System cooling

T ambient	LBP	MBP	HBP
32°C / 90°F	static	static	n/a
38°C / 100°F	static	static	n/a
43°C / 110°F	fan 3m/s	fan 3m/s	n/a

Operation pressure range



Components (already pre-assembled)

a1	e-PTC starter	103N0058
e	run capacitor (15μF, 6.3mm)	117-7118
b	plastic cover	103N0492
d	cord relief	103N1010
	bracket for run capacitor	117-0300
	screw M4x8mm	117-0301

Alternative components:

a1	e-PTC starter (115V, 50Ohm, 6.3mm, 4.8-cap)	103N0057
e	run capacitor (15μF, 4.8mm)	117-7120
b	plastic cover	103N0492
d	cord relief	103N1010
	bracket for run capacitor	117-0300
	screw M4x8mm	117-0301

Model

Designation	DLE4CN	115V/60Hz	Conf. 1	Sales code:	102H3485
-------------	---------------	------------------	----------------	-------------	-----------------

Optimization + standard conditions

115V/60Hz 1~, RSCR, fan 3m/s, UL

		Evaporating pressure (saturation temperature)				Condensing pressure (saturation temperature)						Power consumption			
						Return gas temp.			Liquid temp.			Current consumption		Ref. mass flow	
						Cooling capacity			COP	EER		P1	I	m	
		pe	pc	RGT	Tliq	[W]	[Btu/h]	[kcal/h]	[W/W]	[Btu/Wh]	[kcal/Wh]	[W]	[A]	[kg/h]	
[°C]	-23,3	54,4	32,2	32,2	233,9	799	201,3	1,58	5,40	1,36	147,8	1,33	2,37	ASHRAE	
[°F]	-10	130	90	90										LBP	
[°C]	-25	55	32	55	175,1	598	150,7	1,22	4,17	1,05	143,4	1,29	2,18	cecomaf	
[°F]	-13	131	89,6	131										LBP	
[°C]	-35	40	20	40	134,6	460	115,9	1,19	4,07	1,03	112,9	1,06	1,54	EN12900	
[°F]	-31	104	68	104										LBP	
[°C]	-6,66	54,4	35	46,1	422,8	1444	363,8	2,19	7,49	1,89	192,9	1,74	4,82	ASHRAE	
[°F]	20	130	95	115										MBP	
[°C]	-10	55	32	55	334,5	1142	287,9	1,81	6,17	1,56	185,1	1,67	4,23	cecomaf	
[°F]	14	131	89,6	131										MBP	
[°C]	-10	45	20	45	376,4	1285	323,9	2,21	7,54	1,90	170,4	1,57	4,62	EN12900	
[°F]	14	113	68	113										MBP	

Performance tables

115V/60Hz 1~, RSCR, fan 3m/s, UL

		pe	Cooling capacity			COP	EER	P1	I	m		
		[°C]	[°F]	[W]	[Btu/h]	[kcal/h]	[W/W]	[Btu/Wh]	[kcal/Wh]	[W]	[A]	[kg/h]
[°C / °F]		-35	-31	128,3	438	110,4	1,12	3,82	0,96	114,6	1,07	1,44
cond. pressure		-23,3	-10	225,3	769	193,9	1,59	5,44	1,37	141,6	1,30	2,54
pc= 45/113		-15	5	321,4	1097	276,6	2,01	6,85	1,73	160,2	1,47	3,66
return gas temp.		-9,4	15	400,3	1367	344,5	2,33	7,97	2,01	171,5	1,58	4,58
RGT= 32/90		-3,9	25	492,7	1683	424,0	2,72	9,29	2,34	181,2	1,66	5,68
liquid temp		0	32	566,0	1933	487,1	3,03	10,35	2,61	186,7	1,69	6,57
Tliq= 45/113		7,2	45	722,9	2469	622,2	3,73	12,74	3,21	193,8	1,71	8,49
[°C / °F]		-35	-31	105,5	360	90,8	0,91	3,09	0,78	116,6	1,08	1,30
cond. pressure		-23,3	-10	189,3	646	162,9	1,28	4,36	1,10	148,1	1,33	2,36
pc= 55/131		-15	5	272,8	932	234,8	1,59	5,43	1,37	171,5	1,55	3,43
return gas temp		-9,4	15	342,0	1168	294,3	1,83	6,26	1,58	186,6	1,68	4,33
RGT= 32/90		-3,9	25	423,5	1446	364,4	2,11	7,21	1,82	200,7	1,80	5,40
liquid temp		0	32	488,5	1668	420,4	2,33	7,96	2,01	209,6	1,87	6,27
Tliq= 55/131		7,2	45	628,6	2147	541,0	2,81	9,59	2,42	223,8	1,96	8,19