

Model

Designation	DLE4CN	220-240V/50Hz 1~	Sales code:	102H4469
-------------	---------------	-------------------------	-------------	-----------------

Compressor design

Oil type	Polyolester	Refrigerant(s)	R290
Oil viscosity	32cSt	Displacement	4cm ³ / 0,24cu.in
Oil quantity	221cm ³ / 7,5fl.oz	Compressors on pallet	80
Refr. charge - tech. limit	150g / 5,3oz		
Free gas volume comp.	1390cm ³ / 47fl.oz		
Weight	8,15kg / 18lbs		
Motor protection	1# internal		
Winding resistance main	20,3Ω (at 25°C)		
Winding resistance aux	11,7Ω (at 25°C)		
Max. winding temp.	125°C / 257°F		
Max. discharge temp.	120°C / 248°F		



General - Configurations with DLE4CN

	Conf. 1
Motorconfiguration	CSIR
Power supply (nominal)	220-240V/50Hz
Number of phases	1
Voltage range	198-254V
Approvals	VDE, CCC
Starting torque	HST
Note	Electrical equipment is included and pre-assembled to compressor.

Applications with DLE4CN

	Conf. 1
Refrigerant	R290
Application	LBP+MBP
System cooling	fan 3m/s
Hot gas defrost	OK
Long interval pull down	OK

Electrical data - Configurations with DLE4CN

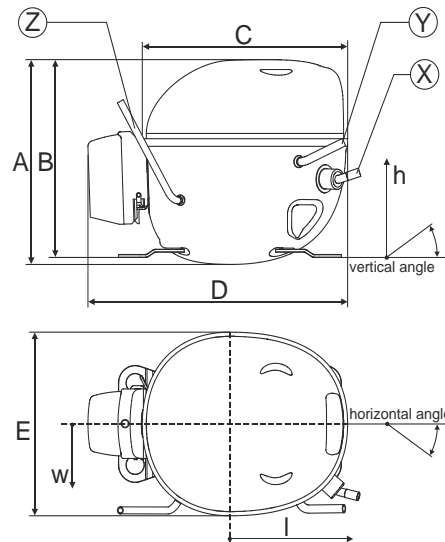
	Conf. 1
Starting device type	relay
Run capacitor	0μF
Start capacitor	60μF
LRA (locked rotor amps / 4s)	5,4A
RLA (rated load amps / 1s)	1,04A
Cut in current	5,4A
IP class	21

Model

Designation	DLE4CN	220-240V/50Hz 1~	Sales code:	102H4469
-------------	---------------	------------------	-------------	-----------------

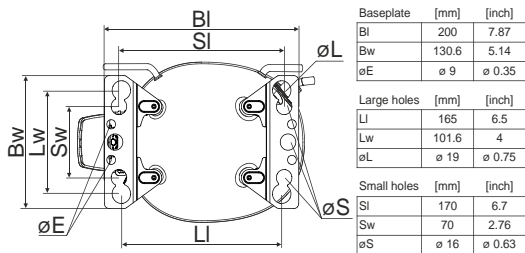
Compressor dimensions

Housing	A Height	174mm / 6,85in
	B Height	168mm / 6,61in
	C Length shell	183mm / 7,2in
	D Length w. cover	232mm / 9,13in
	E Width	156mm / 6,14in

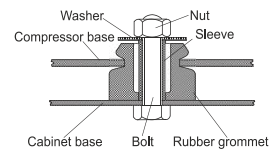


Connectors		Suction	Discharge	Process
		X	Y	Z
Diameter	[mm]	øi 8,11-8,29	øi 6,41-6,59	øi 6,4-6,6
	(i:inside, o:outside) [in]	øi 0,32-0,33	øi 0,25-0,26	øi 0,25-0,26
Material		copper	copper	copper
Horizontal angle	±2°	10°	0°	0
Vertical angle	±2°	18°	25°	119°
Position l/h/w	[mm]	135/77/67	98/96/72	-98/133/73
	[in]	5,3/3/2,6	3,8/3,8/2,8	-3,9/5,2/2,9
Straight tube l.	[mm]	12	12	12
	[in]	0,5	0,5	0,5

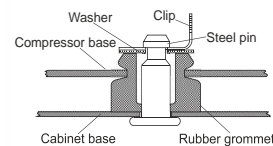
Compressor fixation



Bolt joint



Snap-on



Mounting accessories	one comp.	multi pack
Bolt joint M6 ø16mm	118-1917	118-1918
Bolt joint ø1/4" ø16mm	118-1946	
Bolt joint ø1/4" ø19mm	118-1949	
Snap-on ø7,3 ø16mm	118-1947	118-1919

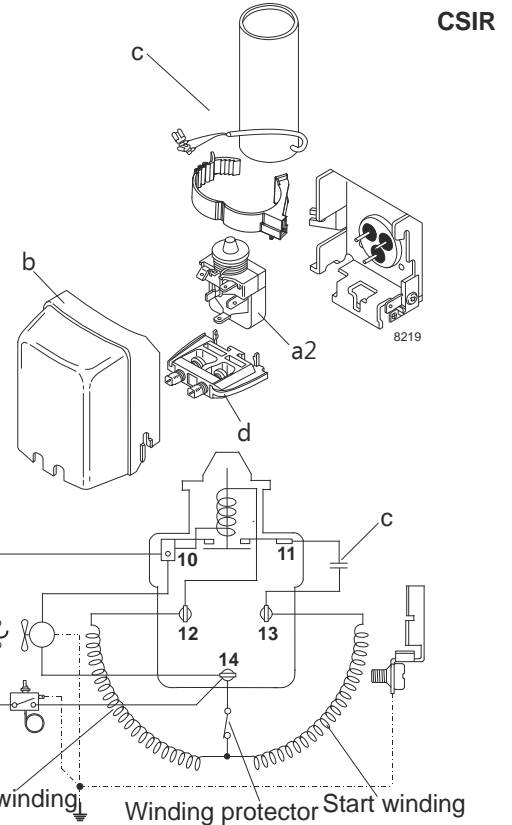
Model

Designation	DLE4CN	220-240V/50Hz	Conf. 1	Sales code:	102H4469
-------------	---------------	----------------------	----------------	-------------	-----------------

Configuration

Motorconfiguration	CSIR
Power supply (nominal)	220-240V/50Hz 1~
Refrigerant	R290
Application	LBP+MBP
Voltage range	198-254V
Starting torque	HST
Approvals	VDE
	CCC

Electrical accessories / wiring diagram

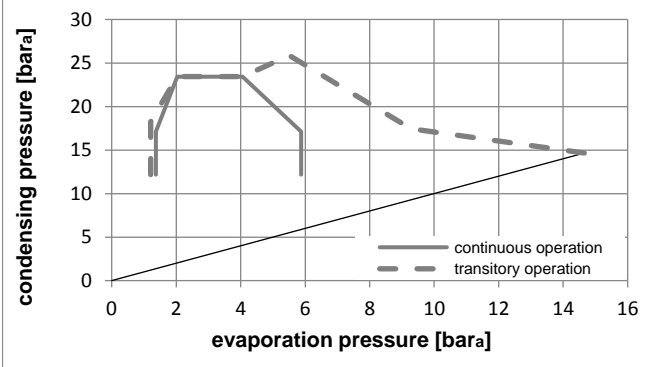
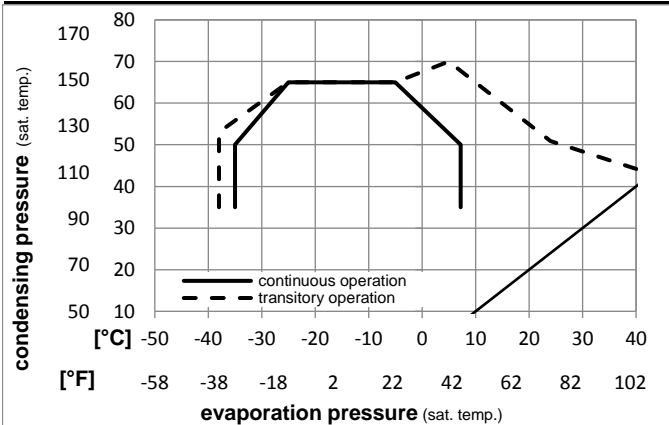


Ambient temperatures / system cooling

Ambient temperature min.:	10°C / 50°F
Ambient temperature max.:	43°C / 110°F

System cooling			
T ambient	LBP	MBP	HBP
32°C / 90°F	fan 3m/s	fan 3m/s	n/a
38°C / 100°F	fan 3m/s	fan 3m/s	n/a
43°C / 110°F	fan 3m/s	fan 3m/s	n/a

Operation pressure range



Components (already pre-assembled)

a2	assy. relay	117U7000
c	start capacitor	117U5014
b	plastic cover	103N0491
d	cord relief	103N1010

Model

Designation	DLE4CN	220-240V/50Hz	Conf. 1	Sales code:	102H4469
-------------	---------------	----------------------	----------------	-------------	-----------------

Optimization + standard conditions

220-240V/50Hz 1~, CSIR, fan 3m/s, VDE, CCC

	Evaporating pressure (saturation temperature)				Condensing pressure (saturation temperature)			Return gas temp.			Liquid temp.			Cooling capacity			COP			EER			Power consumption			ASHRAE LBP
	pe	pc	RGT	Tliq	[W]	[Btu/h]	[kcal/h]	[W/W]	[Btu/Wh]	[kcal/Wh]	P1	I	m	[W]	[A]	[kg/h]	[W]	[Btu/Wh]	[kcal/Wh]	[W]	[A]	[kg/h]				
[°C]	-23,3	54,4	32,2	32,2	190,2	650	163,7	1,47	5,03	1,27	129,1	0,84	1,93													
[°F]	-10	130	90	90																						
[°C]	-25	55	32	55	141,8	484	122,0	1,14	3,88	0,98	124,9	0,82	1,77											cecomaf LBP		
[°F]	-13	131	89,6	131																						
[°C]	-35	40	20	40	107,3	366	92,3	1,14	3,90	0,98	94,0	0,74	1,23											EN12900 LBP		
[°F]	-31	104	68	104																						
[°C]	-6,66	54,4	35	46,1	338,4	1156	291,3	1,97	6,73	1,70	171,8	0,99	3,86											ASHRAE MBP		
[°F]	20	130	95	115																						
[°C]	-10	55	32	55	270,9	925	233,2	1,64	5,61	1,41	164,8	0,96	3,43											cecomaf MBP		
[°F]	14	131	89,6	131																						
[°C]	-10	45	20	45	303,4	1036	261,1	2,04	6,95	1,75	149,0	0,91	3,73											EN12900 MBP		
[°F]	14	113	68	113																						

Performance tables

220-240V/50Hz 1~, CSIR, fan 3m/s, VDE, CCC

	pe	Cooling capacity			COP			EER			P1	I	m
	[°C]	[°F]	[W]	[Btu/h]	[kcal/h]	[W/W]	[Btu/Wh]	[kcal/Wh]	[W]	[A]	[kg/h]		
[°C / °F]	-35	-31	101,0	345	86,9	1,06	3,61	0,91	95,5	0,74	1,13		
cond. pressure	-25	-13	167,7	573	144,3	1,42	4,86	1,23	117,8	0,80	1,89		
pc= 45/113	-15	5	261,0	891	224,6	1,87	6,40	1,61	139,4	0,87	2,97		
return gas temp.	-10	14	315,8	1079	271,8	2,12	7,24	1,82	149,0	0,91	3,61		
RGT= 32/90	-5	23	375,2	1282	322,9	2,38	8,14	2,05	157,3	0,94	4,32		
liquid temp	0	32	438,5	1497	377,3	2,67	9,13	2,30	164,1	0,97	5,09		
Tliq= 45/113	7,2	45	534,8	1826	460,3	3,14	10,73	2,70	170,2	1,01	6,28		
[°C / °F]	-35	-31	83,6	285	71,9	0,86	2,92	0,74	97,6	0,74	1,03		
cond. pressure	-25	-13	141,8	484	122,0	1,14	3,88	0,98	124,9	0,82	1,77		
pc= 55/131	-15	5	223,3	762	192,1	1,47	5,01	1,26	152,1	0,92	2,81		
return gas temp	-10	14	270,9	925	233,2	1,64	5,61	1,41	164,8	0,96	3,43		
RGT= 32/90	-5	23	322,3	1101	277,4	1,83	6,24	1,57	176,5	1,00	4,11		
liquid temp	0	32	376,7	1286	324,2	2,02	6,89	1,74	186,7	1,04	4,84		
Tliq= 55/131	7,2	45	458,8	1567	394,9	2,31	7,90	1,99	198,2	1,09	5,98		