

Model

Designation	DLE4.8CN	115-127V/60Hz 1~	Sales code:	102H3585
-------------	-----------------	------------------	-------------	-----------------

Compressor design

Oil type	Polyolester	Refrigerant(s)	R290
Oil viscosity	32cSt	Displacement	4,8cm ³ / 0,29cu.in
Oil quantity	221cm ³ / 7,5fl.oz	Compressors on pallet	80
Refr. charge - tech. limit	150g / 5,3oz		
Free gas volume comp.	1465cm ³ / 49,5fl.oz		
Weight	8kg / 17,6lbs		
Motor protection	1# internal		
Winding resistance main	2,72Ω (at 25°C)		
Winding resistance aux	6,35Ω (at 25°C)		
Max. winding temp.	125°C / 257°F		
Max. discharge temp.	130°C / 266°F		



General - Configurations with DLE4.8CN

	Conf. 1
Motorconfiguration	RSCR
Power supply (nominal)	115V/60Hz
Number of phases	1
Voltage range	95-135V
Approvals	UL
Starting torque	LST
Note	Electrical equipment is included and pre-assembled to compressor.

Applications with DLE4.8CN

	Conf. 1
Refrigerant	R290
Application	LBP+MBP
System cooling	static
Hot gas defrost	OK
Long interval pull down	OK

Electrical data - Configurations with DLE4.8CN

	Conf. 1
Starting device type	PTC
Run capacitor	15μF
Start capacitor	0μF
LRA (locked rotor amps / 4s)	17,59A
RLA (rated load amps / 1s)	3,35A
Cut in current	25,4A
IP class	21

Model

Designation

DLE4.8CN

115-127V/60Hz 1~

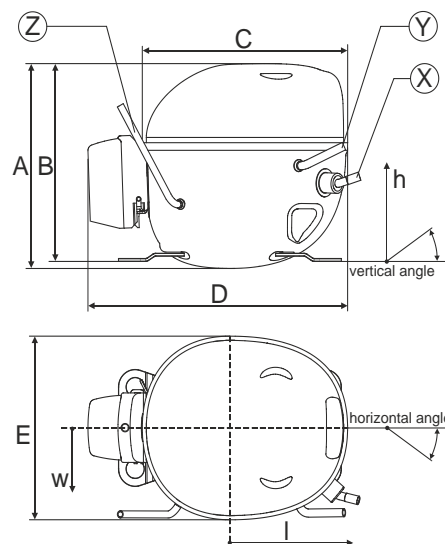
Sales code:

102H3585

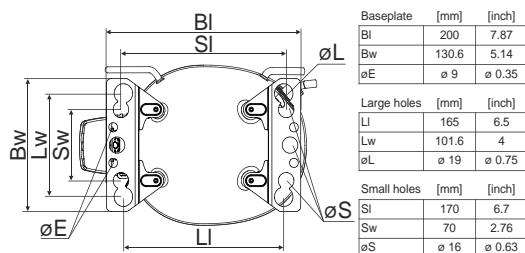
Compressor dimensions

Housing	A Height	174mm / 6,85in
	B Height	168mm / 6,61in
	C Length shell	183mm / 7,2in
	D Length w. cover	232mm / 9,13in
	E Width	156mm / 6,14in

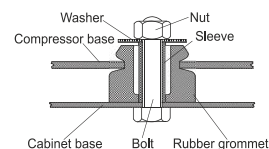
Connectors		Suction	Discharge	Process
		X	Y	Z
Diameter	[mm]	øi 8,11-8,29	øi 6,41-6,59	øi 6,4-6,6
	(i:inside, o:outside) [in]	øi 0,32-0,33	øi 0,25-0,26	øi 0,25-0,26
Material		copper	copper	copper
Horizontal angle	±2°	10°	0°	0
Vertical angle	±2°	18°	25°	119°
Position l/h/w	[mm]	135/77/67	98/96/72	-98/133/73
	[in]	5,3/3/2,6	3,8/3,8/2,8	-3,9/5,2/2,9
Straight tube l.	[mm]	12	12	12
	[in]	0,5	0,5	0,5



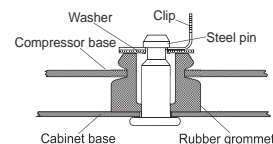
Compressor fixation



Bolt joint



Snap-on



Mounting accessories

	one comp.	multi pack
Bolt joint M6 ø16mm	118-1917	118-1918
Bolt joint ø1/4" ø16mm	118-1946	
Bolt joint ø1/4" ø19mm	118-1949	
Snap-on ø7,3 ø16mm	118-1947	118-1919

Model

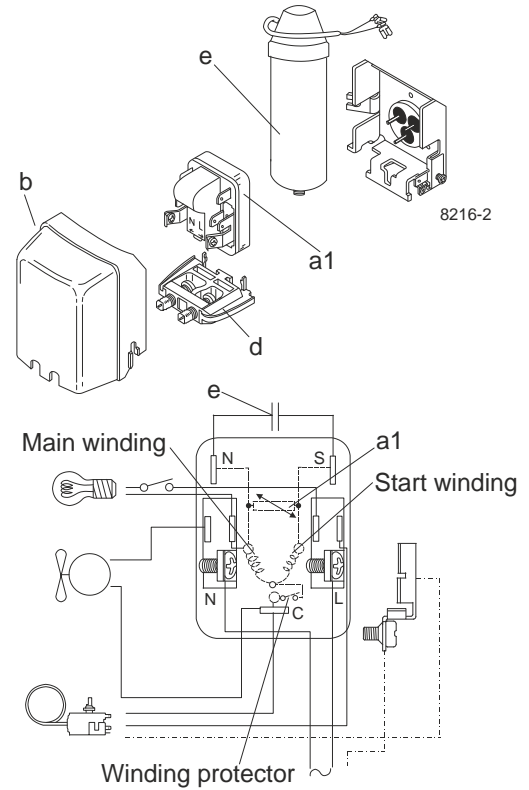
Designation	DLE4.8CN	115V/60Hz	Conf. 1	Sales code:	102H3585
-------------	-----------------	------------------	----------------	-------------	-----------------

Configuration

Motorconfiguration	RSCR
Power supply (nominal)	115V/60Hz 1~
Refrigerant	R290
Application	LBP+MBP
Voltage range	95-135V
Starting torque	LST
Approvals	UL SA3693

Electrical accessories / wiring diagram

RSCR

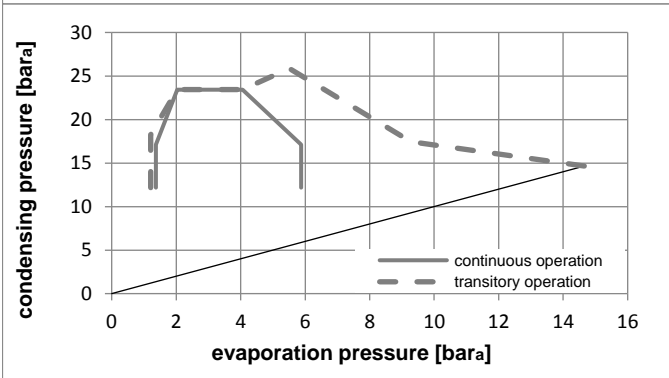
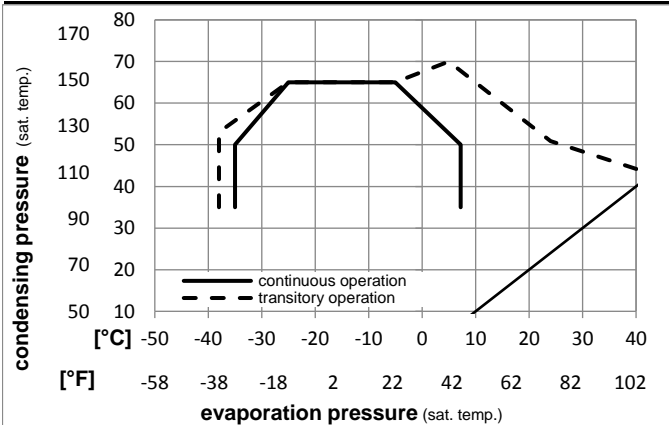


Ambient temperatures / system cooling

Ambient temperature min.:	10°C / 50°F
Ambient temperature max.:	43°C / 110°F

System cooling			
T ambient	LBP	MBP	HBP
32°C / 90°F	static	static	n/a
38°C / 100°F	static	static	n/a
43°C / 110°F	fan 3m/s	fan 3m/s	n/a

Operation pressure range



Components (already pre-assembled)

a1	e-PTC starter	103N0058
e	run capacitor (15μF, 6.3mm)	117-7118
b	plastic cover	103N0492
d	cord relief	103N1010
	bracket for run capacitor	117-0300
	screw M4x8mm	117-0301

Alternative components:

a1	e-PTC starter (115V, 50Ohm, 6.3mm, 4.8-cap)	103N0057
e	run capacitor (15μF, 4.8mm)	117-7120
b	plastic cover	103N0492
d	cord relief	103N1010
	bracket for run capacitor	117-0300
	screw M4x8mm	117-0301

Model

Designation **DLE4.8CN 115V/60Hz** Conf. 1 Sales code: **102H3585**

Optimization + standard conditions

115V/60Hz 1~, RSCR, fan 3m/s, UL

	Evaporating pressure (saturation temperature)				Condensing pressure (saturation temperature)						Power consumption			ASHRAE LBP
	pe	pc	RGT	Tliq	Cooling capacity			COP	EER	P1	I	Ref. mass flow		
	[°C]	[°F]	[°C]	[°F]	[W]	[Btu/h]	[kcal/h]	[W/W]	[Btu/Wh]	[kcal/Wh]	[W]	[A]	[kg/h]	
	-23,3	54,4	32,2	32,2	290,3	992	249,9	1,56	5,34	1,34	185,8	1,89	2,94	ASHRAE LBP
	-10	130	90	90										
	-25	55	32	55	217,4	743	187,1	1,21	4,12	1,04	180,1	1,85	2,71	cecomaf LBP
	-13	131	89,6	131										
	-35	40	20	40	171,9	587	147,9	1,20	4,09	1,03	143,5	1,56	1,96	EN12900 LBP
	-31	104	68	104										
	-6,66	54,4	35	46,1	514,4	1757	442,7	2,14	7,32	1,85	239,9	2,31	5,87	ASHRAE MBP
	20	130	95	115										
	-10	55	32	55	409,3	1398	352,3	1,77	6,05	1,52	231,2	2,24	5,18	cecomaf MBP
	14	131	89,6	131										
	-10	45	20	45	457,6	1563	393,8	2,13	7,29	1,84	214,4	2,09	5,62	EN12900 MBP
	14	113	68	113										

Performance tables

115V/60Hz 1~, RSCR, fan 3m/s, UL

	pe	Cooling capacity			COP	EER	P1	I	m		
	[°C]	[°F]	[W]	[Btu/h]	[kcal/h]	[W/W]	[Btu/Wh]	[kcal/Wh]	[W]	[A]	[kg/h]
[°C / °F]	-35	-31	163,2	557	140,4	1,12	3,83	0,97	145,4	1,58	1,83
cond. pressure	-23,3	-10	277,8	949	239,1	1,56	5,33	1,34	178,0	1,82	3,14
pc= 45/113	-15	5	392,1	1339	337,5	1,95	6,66	1,68	201,2	1,99	4,46
return gas temp.	-9,4	15	486,5	1662	418,7	2,25	7,70	1,94	215,8	2,10	5,57
RGT= 32/90	-3,9	25	597,5	2041	514,2	2,61	8,91	2,24	229,1	2,20	6,89
liquid temp	0	32	685,9	2342	590,3	2,89	9,86	2,49	237,5	2,26	7,96
Tliq= 45/113	7,2	45	875,7	2991	753,7	3,50	11,95	3,01	250,4	2,35	10,29
[°C / °F]	-35	-31	126,6	433	109,0	0,89	3,03	0,76	142,7	1,60	1,57
cond. pressure	-23,3	-10	235,0	803	202,3	1,26	4,31	1,09	186,2	1,89	2,93
pc= 55/131	-15	5	336,3	1148	289,4	1,56	5,33	1,34	215,3	2,11	4,23
return gas temp	-9,4	15	418,1	1428	359,8	1,80	6,13	1,54	232,9	2,25	5,29
RGT= 32/90	-3,9	25	513,2	1753	441,7	2,06	7,05	1,78	248,5	2,39	6,55
liquid temp	0	32	588,7	2010	506,6	2,28	7,79	1,96	258,1	2,48	7,56
Tliq= 55/131	7,2	45	750,3	2563	645,7	2,76	9,41	2,37	272,3	2,63	9,78