

Model

| | | | | |
|-------------|-----------------|------------------|-------------|-----------------|
| Designation | DLE5.7CN | 220-240V/50Hz 1~ | Sales code: | 102H4665 |
|-------------|-----------------|------------------|-------------|-----------------|

Compressor design

| | | | |
|----------------------------|-------------------------------|-----------------------|--------------------------------|
| Oil type | Polyolester | Refrigerant(s) | R290 |
| Oil viscosity | 32cST | Displacement | 5,7cm ³ / 0,35cu.in |
| Oil quantity | 221cm ³ / 7,5fl.oz | Compressors on pallet | 80 |
| Refr. charge - tech. limit | 150g / 5,3oz | | |
| Free gas volume comp. | 1390cm ³ / 47fl.oz | | |
| Weight | 8,2kg / 18,1lbs | | |
| Motor protection | 1# internal | | |
| Winding resistance main | 13,53Ω (at 25°C) | | |
| Winding resistance aux | 14,27Ω (at 25°C) | | |
| Max. winding temp. | 125°C / 257°F | | |
| Max. discharge temp. | 130°C / 266°F | | |



General - Configurations with DLE5.7CN

| | |
|------------------------|---|
| | Conf. 1 |
| Motorconfiguration | CSIR |
| Power supply (nominal) | 220-240V/50Hz |
| Number of phases | 1 |
| Voltage range | 198-254V |
| Approvals | VDE, CCC |
| Starting torque | LST |
| Note | Electrical equipment is included and pre-assembled to compressor. |

Applications with DLE5.7CN

| | |
|-------------------------|----------------|
| | Conf. 1 |
| Refrigerant | R290 |
| Application | LBP+MBP |
| System cooling | fan 3m/s |
| Hot gas defrost | OK |
| Long interval pull down | OK |

Electrical data - Configurations with DLE5.7CN

| | |
|------------------------------|----------------|
| | Conf. 1 |
| Starting device type | relay |
| Run capacitor | -/- |
| Start capacitor | 80μF |
| LRA (locked rotor amps / 4s) | 7,4A |
| RLA (rated load amps / 1s) | 1,57A |
| Cut in current | 11,92A |
| IP class | 21 |

Model

Designation

DLE5.7CN

220-240V/50Hz 1~

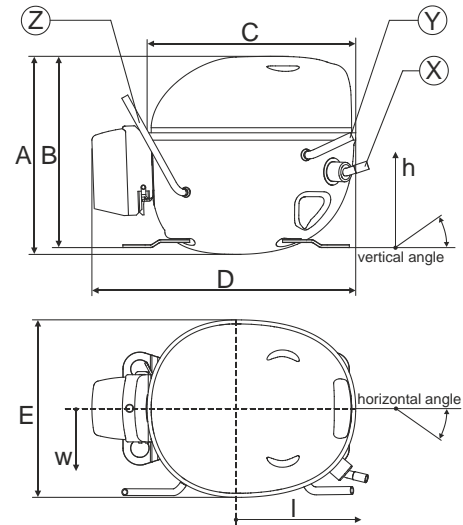
Sales code:

102H4665

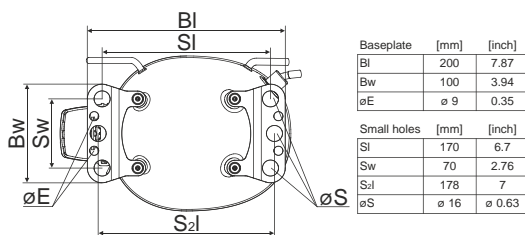
Compressor dimensions

| | | |
|----------------|-------------------|----------------|
| Housing | A Height | 174mm / 6,85in |
| | B Height | 168mm / 6,61in |
| | C Length shell | 183mm / 7,2in |
| | D Length w. cover | 232mm / 9,13in |
| | E Width | 156mm / 6,14in |

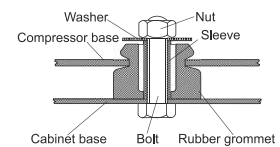
| Connectors | | Suction | Discharge | Process |
|-----------------------|------|--------------|--------------|--------------|
| | | X | Y | Z |
| Diameter | [mm] | øi 8,11-8,29 | øi 6,11-6,29 | øi 6,1-6,3 |
| (i:inside, o:outside) | [in] | øi 0,32-0,33 | øi 0,24-0,25 | øi 0,24-0,25 |
| Material | | copper | copper | copper |
| Horizontal angle | ±2° | 10° | 0° | 0° |
| Vertical angle | ±2° | 18° | 25° | 119° |
| Position l/h/w | [mm] | 135/77/67 | 98/96/72 | -98/133/73 |
| | [in] | 5,3/3/2,6 | 3,8/3,8/2,8 | -3,9/5,2/2,9 |
| Straight tube l. | [mm] | 12 | 12 | 12 |
| | [in] | 0,5 | 0,5 | 0,5 |



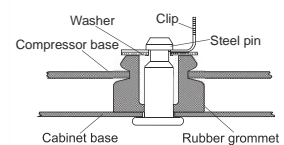
Compressor fixation



Bolt joint



Snap-on



| Mounting accessories | one comp. | multi pack |
|----------------------------|-----------|------------|
| Bolt joint M6 ø16mm | 118-1917 | 118-1918 |
| Bolt joint ø1/4" ø16mm | 118-1946 | |
| Snap-on ø7,3 ø16mm | 118-1947 | 118-1919 |

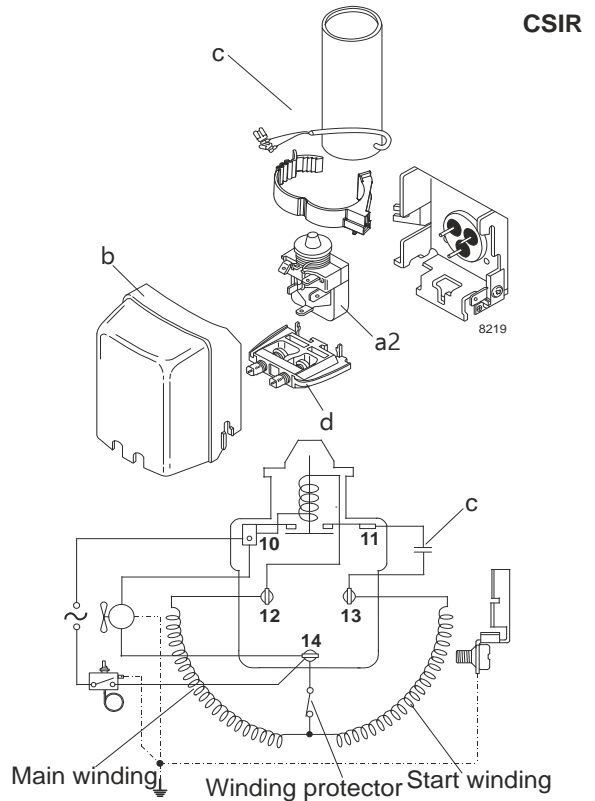
Model

| | | | | | |
|-------------|-----------------|----------------------|----------------|-------------|-----------------|
| Designation | DLE5.7CN | 220-240V/50Hz | Conf. 1 | Sales code: | 102H4665 |
|-------------|-----------------|----------------------|----------------|-------------|-----------------|

Configuration

| | |
|------------------------|------------------|
| Motorconfiguration | CSIR |
| Power supply (nominal) | 220-240V/50Hz 1~ |
| Refrigerant | R290 |
| Application | LBP+MBP |
| Voltage range | 198-254V |
| Starting torque | LST |
| Approvals | VDE CCC |

Electrical accessories / wiring diagram

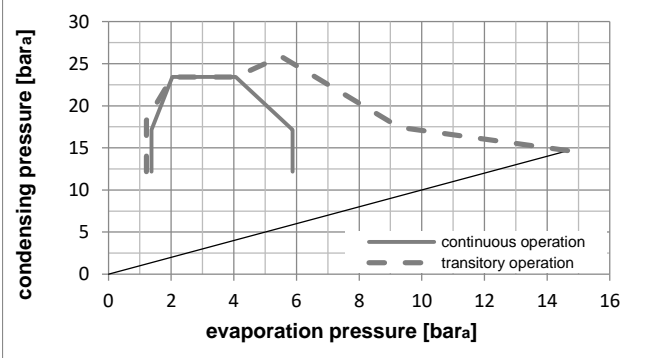
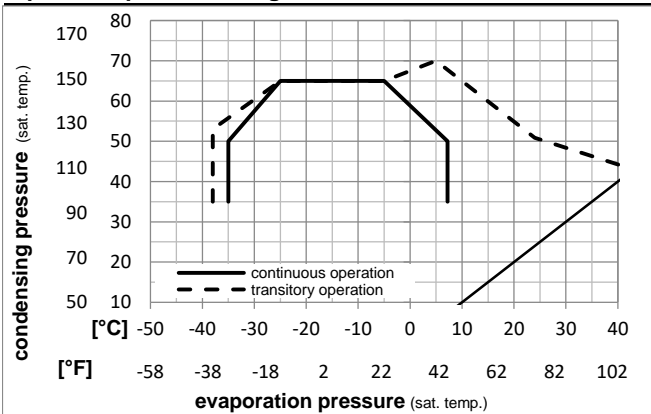


Ambient temperatures / system cooling

| | |
|---------------------------|--------------|
| Ambient temperature min.: | 10°C / 50°F |
| Ambient temperature max.: | 43°C / 110°F |

| System cooling (n/a: outside limits) | | | |
|--------------------------------------|----------|----------|-----|
| T ambient | LBP | MBP | HBP |
| 32°C / 90°F | fan 3m/s | fan 3m/s | n/a |
| 38°C / 100°F | fan 3m/s | fan 3m/s | n/a |
| 43°C / 110°F | fan 3m/s | fan 3m/s | n/a |

Operation pressure range



Components (already pre-assembled)

| | | |
|----|------------------------|----------|
| a2 | current relay | 117U7015 |
| c | start capacitor (80µF) | 117U5015 |
| b | plastic cover | 103N0491 |
| d | cord relief | 103N1010 |

Model

Designation **DLE5.7CN 220-240V/50Hz** Conf. 1 Sales code: **102H4665**

Optimization + standard conditions

220V/50Hz, CSIR, fan 3m/s, VDE, CCC

| Evaporating pressure (saturation temperature) | | | | | Condensing pressure (saturation temperature) | | | | | | Power consumption | | | |
|---|-------|------|------|------|--|---------|----------|-------|----------|-----------|---------------------|------|--------|-------------|
| | | | | | Return gas temp. | | | | | | Current consumption | | | |
| | | | | | Liquid temp. | | | | | | Ref. mass flow | | | |
| | | | | | Cooling capacity | | | | | | COP EER | | | |
| | | | | | P1 | | | | | | I m | | | |
| | pe | pc | RGT | Tliq | [W] | [Btu/h] | [kcal/h] | [W/W] | [Btu/Wh] | [kcal/Wh] | [W] | [A] | [kg/h] | |
| [°C] | -23,3 | 54,4 | 32,2 | 32,2 | 297,1 | 1015 | 255,7 | 1,52 | 5,21 | 1,31 | 194,9 | 1,28 | 3,01 | ASHRAE LBP |
| [°F] | -10 | 130 | 90 | 90 | | | | | | | | | | |
| [°C] | -25 | 55 | 32 | 55 | 224,0 | 765 | 192,8 | 1,18 | 4,05 | 1,02 | 189,1 | 1,26 | 2,79 | cecomaf LBP |
| [°F] | -13 | 131 | 89,6 | 131 | | | | | | | | | | |
| [°C] | -35 | 40 | 20 | 40 | 166,8 | 570 | 143,6 | 1,20 | 4,11 | 1,04 | 138,6 | 1,13 | 1,91 | EN12900 LBP |
| [°F] | -31 | 104 | 68 | 104 | | | | | | | | | | |
| [°C] | -6,66 | 54,4 | 35 | 46,1 | 507,7 | 1734 | 437,0 | 1,97 | 6,72 | 1,69 | 258,2 | 1,50 | 5,79 | ASHRAE MBP |
| [°F] | 20 | 130 | 95 | 115 | | | | | | | | | | |
| [°C] | -10 | 55 | 32 | 55 | 405,1 | 1383 | 348,6 | 1,64 | 5,60 | 1,41 | 247,1 | 1,46 | 5,12 | cecomaf MBP |
| [°F] | 14 | 131 | 89,6 | 131 | | | | | | | | | | |
| [°C] | -10 | 45 | 20 | 45 | 446,0 | 1523 | 383,8 | 2,01 | 6,85 | 1,73 | 222,3 | 1,37 | 5,48 | EN12900 MBP |
| [°F] | 14 | 113 | 68 | 113 | | | | | | | | | | |

Performance tables

220V/50Hz, CSIR, fan 3m/s, VDE, CCC

| | pe | Cooling capacity | | | COP | EER | P1 | I | m | | |
|------------------|------|------------------|-------|---------|----------|-------|----------|-----------|-------|------|--------|
| | [°C] | [°F] | [W] | [Btu/h] | [kcal/h] | [W/W] | [Btu/Wh] | [kcal/Wh] | [W] | [A] | [kg/h] |
| [°C / °F] | -35 | -31 | 162,1 | 554 | 139,5 | 1,14 | 3,90 | 0,98 | 141,9 | 1,13 | 1,82 |
| cond. pressure | -25 | -13 | 258,1 | 881 | 222,1 | 1,46 | 5,00 | 1,26 | 176,3 | 1,23 | 2,91 |
| pc= 45/113 | -15 | 5 | 384,5 | 1313 | 330,9 | 1,85 | 6,32 | 1,59 | 207,7 | 1,32 | 4,37 |
| return gas temp. | -10 | 14 | 464,3 | 1586 | 399,6 | 2,09 | 7,13 | 1,80 | 222,3 | 1,37 | 5,31 |
| RGT= 32/90 | -5 | 23 | 557,9 | 1905 | 480,2 | 2,36 | 8,07 | 2,03 | 236,0 | 1,42 | 6,42 |
| liquid temp | 0 | 32 | 667,4 | 2279 | 574,4 | 2,68 | 9,16 | 2,31 | 248,8 | 1,47 | 7,74 |
| Tliq= 45/113 | 7,2 | 45 | 857,2 | 2927 | 737,7 | 3,23 | 11,02 | 2,78 | 265,6 | 1,54 | 10,07 |
| [°C / °F] | -35 | -31 | 135,4 | 462 | 116,5 | 0,91 | 3,09 | 0,78 | 149,5 | 1,15 | 1,67 |
| cond. pressure | -25 | -13 | 224,0 | 765 | 192,8 | 1,18 | 4,05 | 1,02 | 189,1 | 1,26 | 2,79 |
| pc= 55/131 | -15 | 5 | 335,6 | 1146 | 288,8 | 1,47 | 5,03 | 1,27 | 228,0 | 1,39 | 4,22 |
| return gas temp | -10 | 14 | 405,1 | 1383 | 348,6 | 1,64 | 5,60 | 1,41 | 247,1 | 1,46 | 5,12 |
| RGT= 32/90 | -5 | 23 | 486,5 | 1662 | 418,7 | 1,83 | 6,25 | 1,57 | 265,9 | 1,53 | 6,20 |
| liquid temp | 0 | 32 | 582,0 | 1988 | 500,9 | 2,05 | 6,99 | 1,76 | 284,5 | 1,60 | 7,48 |
| Tliq= 55/131 | 7,2 | 45 | 748,2 | 2555 | 643,9 | 2,41 | 8,23 | 2,07 | 310,5 | 1,71 | 9,75 |