

Model

Designation	DLE5.7CNT	208-230V/60Hz 1~ 220-240V/50Hz 1~	Sales code:	102H4666
-------------	------------------	-----------------------------------	-------------	-----------------

Compressor design

Oil type	Polyolester	Refrigerant(s)	R290
Oil viscosity	32cSt	Displacement	5,7cm ³ / 0,35cu.in
Oil quantity	221cm ³ / 7,5fl.oz	Compressors on pallet	80
Refr. charge - tech. limit	150g / 5,3oz		
Free gas volume comp.	1325cm ³ / 44,8fl.oz		
Weight	8,5kg / 18,7lbs		
Motor protection	1# internal		
Winding resistance main	10,84Ω (at 25°C)		
Winding resistance aux	11,36Ω (at 25°C)		
Max. winding temp.	125°C / 257°F		
Max. discharge temp.	130°C / 266°F		



General - Configurations with DLE5.7CNT

	Conf. 1
Motorconfiguration	CSIR
Power supply (nominal)	208-230V/60Hz
Number of phases	1
Voltage range	187-253V
Approvals	UL
Starting torque	HST
Note	Protector and relay are included and pre-assembled to compressor.

Applications with DLE5.7CNT

	Conf. 1
Refrigerant	R290
Application	LBP+MBP
System cooling	fan 3m/s
Hot gas defrost	OK
Long interval pull down	OK

Electrical data - Configurations with DLE5.7CNT

	Conf. 1
Starting device type	relay
Run capacitor	0μF
Start capacitor	80μF
LRA (locked rotor amps / 4s)	9,34A
RLA (rated load amps / 1s)	1,67A
Cut in current	9,34A
IP class	21

Model

Designation

DLE5.7CNT 208-230V/60Hz 1~ 220-240V/50Hz 1~

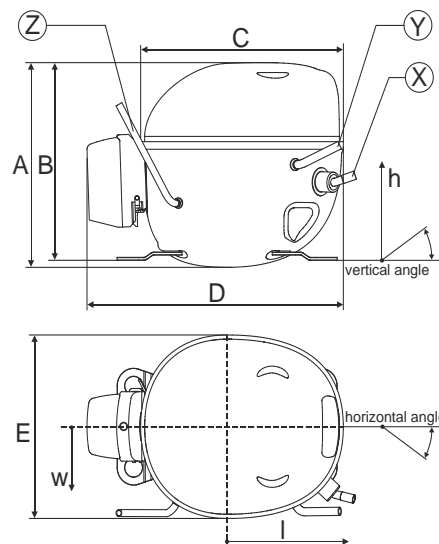
Sales code:

102H4666

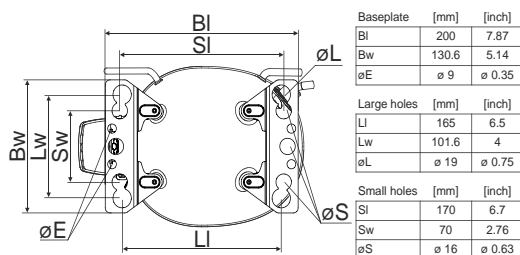
Compressor dimensions

Housing	A Height	174mm / 6,85in
	B Height	168mm / 6,61in
	C Length shell	183mm / 7,2in
	D Length w. cover	232mm / 9,13in
	E Width	156mm / 6,14in

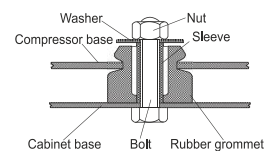
Connectors		Suction	Discharge	Process
		X	Y	Z
Diameter	[mm]	øi 8,11-8,29	øi 6,41-6,59	øi 6,4-6,6
(i:inside, o:outside)	[in]	øi 0,32-0,33	øi 0,25-0,26	øi 0,25-0,26
Material		copper	copper	copper
Horizontal angle	±2°	10°	0°	0
Vertical angle	±2°	18°	25°	119°
Position l/h/w	[mm]	135/77/67	98/96/72	-98/133/73
	[in]	5,3/3/2,6	3,8/3,8/2,8	-3,9/5,2/2,9
Straight tube l.	[mm]	12	12	12
	[in]	0,5	0,5	0,5



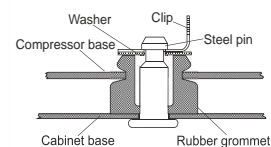
Compressor fixation



Bolt joint



Snap-on



Mounting accessories	one comp.	multi pack
Bolt joint M6 ø16mm	118-1917	118-1918
Bolt joint ø1/4" ø16mm	118-1946	
Bolt joint ø1/4" ø19mm	118-1949	
Snap-on ø7,3 ø16mm	118-1947	118-1919

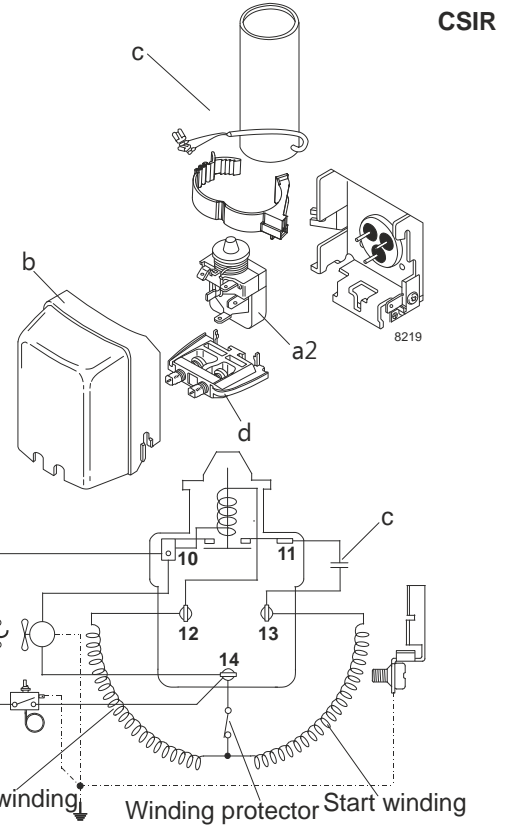
Model

Designation	DLE5.7CNT	208-230V/60Hz	Conf. 1	Sales code:	102H4666
-------------	------------------	----------------------	----------------	-------------	-----------------

Configuration

Motorconfiguration	CSIR	
Power supply (nominal)	208-230V/60Hz 1~	
Refrigerant	R290	
Application	LBP+MBP	
Voltage range	187-253V	
Starting torque	HST	
Approvals	UL	SA3693

Electrical accessories / wiring diagram

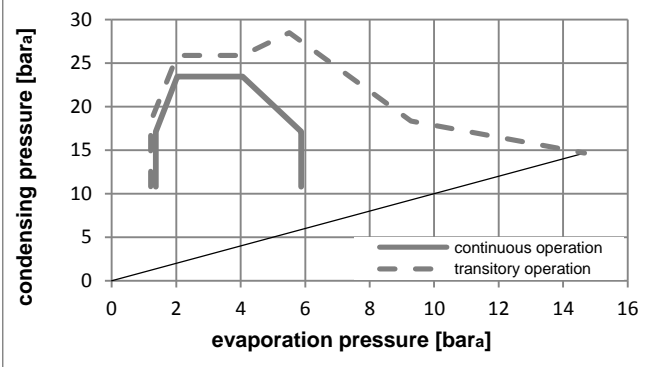
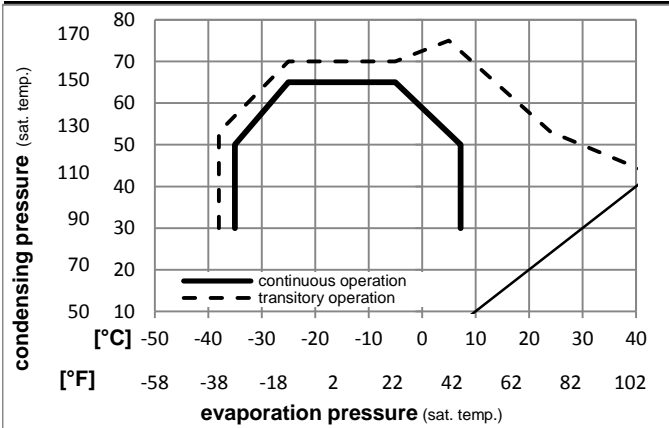


Ambient temperatures / system cooling

Ambient temperature min.:	10°C / 50°F
Ambient temperature max.:	43°C / 110°F

System cooling			
T ambient	LBP	MBP	HBP
32°C / 90°F	fan 3m/s	fan 3m/s	n/a
38°C / 100°F	fan 3m/s	fan 3m/s	n/a
43°C / 110°F	fan 3m/s	fan 3m/s	n/a

Operation pressure range



Components:

a2	relay	117U7002
c	start capacitor (80µF)	117U5015
b	plastic cover	103N0491
d	cord relief	103N1010

Model

Designation **DLE5.7CNT 208-230V/60Hz** Conf. 1 Sales code: **102H4666**

Optimization + standard conditions

208-230V/60Hz 1~, CSIR, fan 3m/s, UL

	Evaporating pressure (saturation temperature)				Condensing pressure (saturation temperature)						Power consumption			ASHRAE LBP
	pe	pc	RGT	Tliq	Cooling capacity			COP	EER	P1	I	Ref. mass flow		
	[°C]	[°C]	[°C]	[°C]	[W]	[Btu/h]	[kcal/h]	[W/W]	[Btu/Wh]	[kcal/Wh]	[W]	[A]	[kg/h]	
	-23,3	54,4	32,2	32,2	352,7	1204	303,5	1,54	5,27	1,33	228,6	1,38	3,57	ASHRAE LBP
	[°F]	-10	130	90										
	-25	55	32	55	265,5	907	228,5	1,20	4,09	1,03	221,4	1,36	3,31	cecomaf LBP
	[°F]	-13	131	89,6	131									
	-35	40	20	40	198,8	679	171,1	1,20	4,11	1,04	165,2	1,19	2,27	EN12900 LBP
	[°F]	-31	104	68	104									
	-6,66	54,4	35	46,1	611,7	2089	526,4	2,00	6,84	1,72	305,3	1,66	6,98	ASHRAE MBP
	[°F]	20	130	95	115									
	-10	55	32	55	487,7	1665	419,7	1,67	5,71	1,44	291,7	1,61	6,17	cecomaf MBP
	[°F]	14	131	89,6	131									
	-10	45	20	45	535,5	1829	460,9	2,02	6,91	1,74	264,8	1,51	6,58	EN12900 MBP
	[°F]	14	113	68	113									

Performance tables

208-230V/60Hz 1~, CSIR, fan 3m/s, UL

	pe	Cooling capacity			COP	EER	P1	I	m		
	[°C]	[°F]	[W]	[Btu/h]	[kcal/h]	[W/W]	[Btu/Wh]	[kcal/Wh]	[W]	[A]	[kg/h]
[°C / °F]	-35	-31	190,8	652	164,2	1,13	3,86	0,97	168,9	1,20	2,14
cond. pressure	-23,3	-10	328,7	1123	282,9	1,53	5,22	1,32	215,1	1,34	3,71
pc= 45/113	-15	5	460,8	1574	396,5	1,87	6,38	1,61	246,8	1,45	5,24
return gas temp.	-9,4	15	569,2	1944	489,8	2,13	7,29	1,84	266,8	1,52	6,52
RGT= 32/90	-3,9	25	696,9	2380	599,8	2,44	8,33	2,10	285,6	1,59	8,04
liquid temp	0	32	799,2	2729	687,8	2,68	9,16	2,31	297,9	1,64	9,27
Tliq= 45/113	7,2	45	1020,6	3485	878,3	3,20	10,94	2,76	318,5	1,72	11,99
[°C / °F]	-35	-31	160,4	548	138,1	0,92	3,14	0,79	174,7	1,21	1,98
cond. pressure	-23,3	-10	285,7	976	245,9	1,25	4,26	1,07	229,3	1,39	3,56
pc= 55/131	-15	5	402,5	1375	346,4	1,50	5,12	1,29	268,5	1,52	5,06
return gas temp	-9,4	15	497,9	1701	428,5	1,69	5,78	1,46	294,3	1,62	6,30
RGT= 32/90	-3,9	25	610,4	2085	525,3	1,91	6,53	1,64	319,4	1,72	7,79
liquid temp	0	32	700,6	2393	603,0	2,08	7,11	1,79	336,5	1,79	9,00
Tliq= 55/131	7,2	45	896,7	3062	771,7	2,45	8,35	2,10	366,7	1,91	11,68