

Model

Designation	DLE6.5CN	115-127V/60Hz 1~	Sales code:	102H3793
-------------	-----------------	------------------	-------------	-----------------

Compressor design

Oil type	Polyolester	Refrigerant(s)	R290
Oil viscosity	32cSt	Displacement	6,5cm ³ / 0,4cu.in
Oil quantity	221cm ³ / 7,5fl.oz	Compressors on pallet	80
Refr. charge - tech. limit	150g / 5,3oz		
Free gas volume comp.	1325cm ³ / 44,8fl.oz		
Weight	8,5kg / 18,7lbs		
Motor protection	1# internal		
Winding resistance main	2,47Ω (at 25°C)		
Winding resistance aux	5Ω (at 25°C)		
Max. winding temp.	125°C / 257°F		
Max. discharge temp.	130°C / 266°F		



General - Configurations with DLE6.5CN

	Conf. 1
Motorconfiguration	CSIR
Power supply (nominal)	115-127V/60Hz
Number of phases	1
Voltage range	95-135V
Approvals	UL
Starting torque	HST
Note	Electrical equipment is included and pre-assembled to compressor.

Applications with DLE6.5CN

	Conf. 1
Refrigerant	R290
Application	LBP+MBP
System cooling	fan 3m/s
Hot gas defrost	OK
Long interval pull down	OK

Electrical data - Configurations with DLE6.5CN

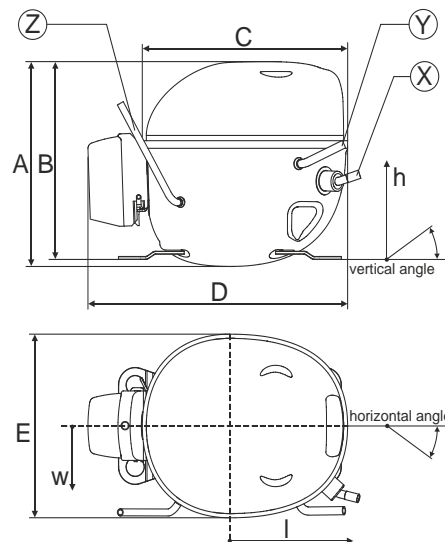
	Conf. 1
Starting device type	relay
Run capacitor	0μF
Start capacitor	240μF
LRA (locked rotor amps / 4s)	16,68A
RLA (rated load amps / 1s)	3,96A
Cut in current	28,82A
IP class	21

Model

Designation	DLE6.5CN	115-127V/60Hz 1~	Sales code:	102H3793
-------------	-----------------	------------------	-------------	-----------------

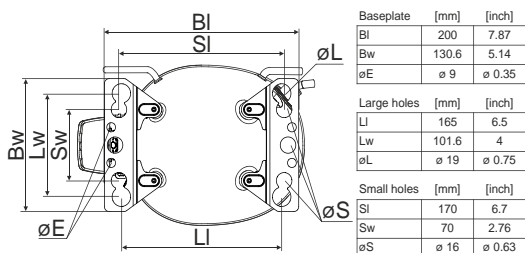
Compressor dimensions

Housing	A Height	174mm / 6,85in
	B Height	168mm / 6,61in
	C Length shell	183mm / 7,2in
	D Length w. cover	232mm / 9,13in
	E Width	156mm / 6,14in

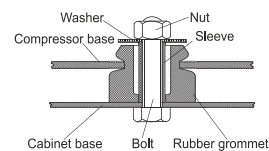


Connectors		Suction	Discharge	Process
		X	Y	Z
Diameter	[mm]	øi 8,11-8,29	øi 6,41-6,59	øi 6,4-6,6
	(i:inside, o:outside) [in]	øi 0,32-0,33	øi 0,25-0,26	øi 0,25-0,26
Material		copper	copper	copper
Horizontal angle	±2°	10°	0°	0
Vertical angle	±2°	18°	25°	119°
Position l/h/w	[mm]	135/77/67	98/96/72	-98/133/73
	[in]	5,3/3/2,6	3,8/3,8/2,8	-3,9/5,2/2,9
Straight tube l.	[mm]	12	12	12
	[in]	0,5	0,5	0,5

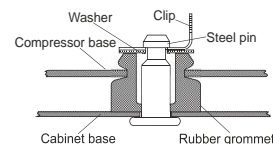
Compressor fixation



Bolt joint



Snap-on



Mounting accessories	one comp.	multi pack
Bolt joint M6 ø16mm	118-1917	118-1918
Bolt joint ø1/4" ø16mm	118-1946	
Bolt joint ø1/4" ø19mm	118-1949	
Snap-on ø7,3 ø16mm	118-1947	118-1919

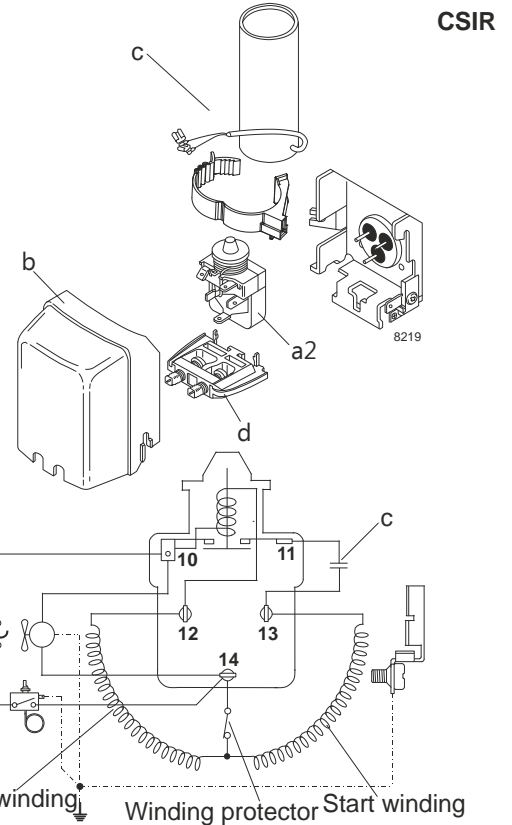
Model

Designation	DLE6.5CN	115-127V/60Hz	Conf. 1	Sales code:	102H3793
-------------	-----------------	----------------------	----------------	-------------	-----------------

Configuration

Motorconfiguration	CSIR	
Power supply (nominal)	115-127V/60Hz 1~	
Refrigerant	R290	
Application	LBP+MBP	
Voltage range	95-135V	
Starting torque	HST	
Approvals	UL	SA3693

Electrical accessories / wiring diagram

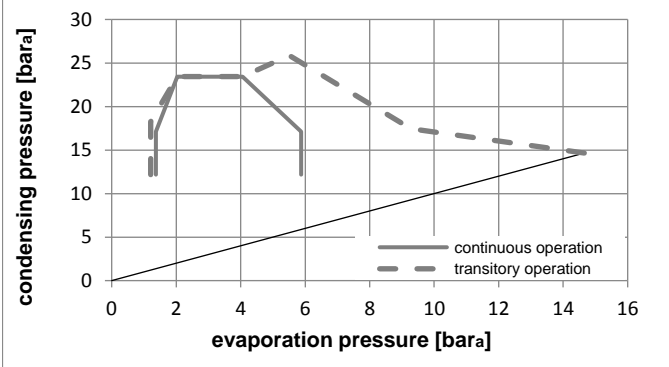
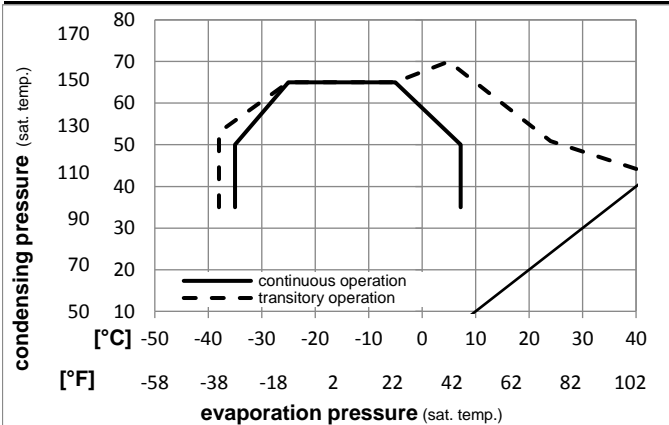


Ambient temperatures / system cooling

Ambient temperature min.:	10°C / 50°F
Ambient temperature max.:	43°C / 110°F

System cooling			
T ambient	LBP	MBP	HBP
32°C / 90°F	fan 3m/s	fan 3m/s	n/a
38°C / 100°F	fan 3m/s	fan 3m/s	n/a
43°C / 110°F	fan 3m/s	fan 3m/s	n/a

Operation pressure range



Components (already pre-assembled)

a2	relay	117U7013
c	start capacitor (240µF)	117U5023
b	plastic cover	103N0492
d	cord relief	103N1010

Model

Designation **DLE6.5CN 115-127V/60Hz** Conf. 1 Sales code: **102H3793**

Optimization + standard conditions

115-127V/60Hz 1~, CSIR, fan 3m/s, UL

	Evaporating pressure (saturation temperature)				Condensing pressure (saturation temperature)						Power consumption			ASHRAE LBP
	pe	pc	RGT	Tliq	Cooling capacity			COP	EER	P1	I	Ref. mass flow		
	[°C]	[°C]	[°C]	[°C]	[W]	[Btu/h]	[kcal/h]	[W/W]	[Btu/Wh]	[kcal/Wh]	[W]	[A]	[kg/h]	
	-23,3	54,4	32,2	32,2	375,7	1283	323,4	1,50	5,11	1,29	250,9	3,14	3,81	ASHRAE LBP
	[°F]	-10	130	90										
	-25	55	32	55	281,9	963	242,6	1,16	3,97	1,00	242,5	3,09	3,51	cecomaf LBP
	[°F]	-13	131	89,6										
	-35	40	20	40	213,3	728	183,5	1,15	3,94	0,99	184,7	2,80	2,44	EN12900 LBP
	[°F]	-31	104	68										
	-6,66	54,4	35	46,1	669,7	2287	576,3	1,96	6,69	1,69	341,8	3,77	7,64	ASHRAE MBP
	[°F]	20	130	95										
	-10	55	32	55	530,3	1811	456,4	1,63	5,57	1,40	325,0	3,65	6,71	cecomaf MBP
	[°F]	14	131	89,6										
	-10	45	20	45	592,4	2023	509,8	1,98	6,78	1,71	298,4	3,47	7,27	EN12900 MBP
	[°F]	14	113	68										

Performance tables

115-127V/60Hz 1~, CSIR, fan 3m/s, UL

	pe	Cooling capacity			COP	EER	P1	I	m		
	[°C]	[°F]	[W]	[Btu/h]	[kcal/h]	[W/W]	[Btu/Wh]	[kcal/Wh]	[W]	[A]	[kg/h]
[°C / °F]	-35	-31	201,9	690	173,8	1,08	3,69	0,93	187,0	2,81	2,26
cond. pressure	-23,3	-10	358,3	1224	308,3	1,50	5,11	1,29	239,4	3,08	4,05
pc= 45/113	-15	5	506,6	1730	436,0	1,83	6,26	1,58	276,4	3,31	5,76
return gas temp.	-9,4	15	630,0	2152	542,2	2,09	7,15	1,80	300,9	3,49	7,21
RGT= 32/90	-3,9	25	777,6	2656	669,2	2,39	8,17	2,06	325,2	3,67	8,97
liquid temp	0	32	897,5	3065	772,4	2,62	8,96	2,26	342,2	3,80	10,41
Tliq= 45/113	7,2	45	1161,1	3965	999,2	3,11	10,61	2,67	373,7	4,06	13,64
[°C / °F]	-35	-31	165,1	564	142,1	0,88	2,99	0,75	188,3	2,81	2,04
cond. pressure	-23,3	-10	304,2	1039	261,8	1,21	4,13	1,04	251,6	3,15	3,79
pc= 55/131	-15	5	433,9	1482	373,5	1,46	4,98	1,26	297,4	3,45	5,46
return gas temp	-9,4	15	542,0	1851	466,5	1,65	5,64	1,42	328,1	3,67	6,86
RGT= 32/90	-3,9	25	671,9	2295	578,3	1,87	6,39	1,61	359,1	3,91	8,57
liquid temp	0	32	778,0	2657	669,5	2,04	6,97	1,76	381,0	4,08	9,99
Tliq= 55/131	7,2	45	1013,0	3460	871,8	2,40	8,20	2,07	421,9	4,43	13,20