

## DLE8.7KK Energy-optimized Compressor R600a 220-240V 50Hz

### General

Code number	102H4950
Approvals	EN 60335-2-34 with Annex AA
Compressors on pallet	100

### Application

Application	LBP		
Frequency	Hz	50	60
Evaporating temperature	°C	-35 to -10	-
Voltage range	V	198 - 254	-
Max. condensing temperature continuous (short)	°C	60 (70)	-
Max. winding temperature continuous (short)	°C	115 (135)	-

### Cooling requirements

Frequency	Hz	50			60		
Application		LBP	MBP	HBP	LBP	MBP	HBP
32°C		S	-	-	-	-	-
38°C		S	-	-	-	-	-
43°C		S	-	-	-	-	-
Remarks on application:							

### Motor

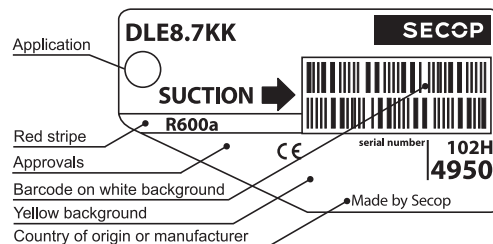
Motor type	RSIR/RSCR		
LRA (rated after 4 sec. UL984), HST   LST	A	-	3.6
Cut in Current, HST   LST	A	-	7.2
Resistance, main   start winding (25°C)	Ω	26.8	21.4

### Design

Displacement	cm <sup>3</sup>	8.67
Oil quantity (type)	cm <sup>3</sup>	155 (mineral)
Maximum refrigerant charge	g	150
Free gas volume in compressor	cm <sup>3</sup>	1465
Weight without electrical equipment	kg	8.0

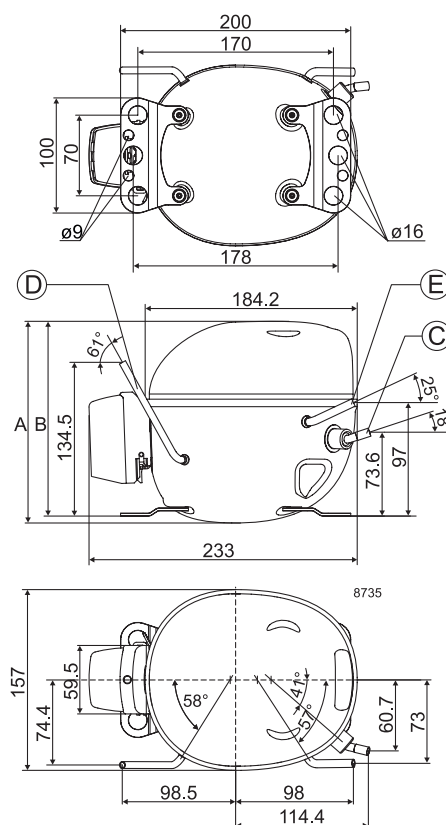
### Dimensions

Height	mm	A	175
		B	169
		B1	-
		B2	-
Suction connector	location/I.D. mm   angle	C	6.2   18°
	material   comment		Cu-plated steel   Rubber plug
Process connector	location/I.D. mm   angle	D	4.5   60°
	material   comment		Copper   Rubber plug
Discharge connector	location/I.D. mm   angle	E	5.0   25°
	material   comment		Copper   Rubber plug
Oil cooler connector	location/I.D. mm   angle	F	-
	material   comment		-
Connector tolerance	I.D. mm		±0.09, on 5.0 +0.12/+0.22 on 4.5 +0.10/-0.20
Remarks:			



Yellow warning label

- S = Static cooling normally sufficient
- O = Oil cooling
- F<sub>1</sub> = Fan cooling 1.5 m/s  
(compressor compartment temperature equal to ambient temperature)
- F<sub>2</sub> = Fan cooling 3.0 m/s necessary
- SG = Suction gas cooling normally sufficient
- = not applicable in this area



**EN 12900 Household (CECOMAF)** 220V, 50Hz, 2 W PTC consumption incl., static cooling

Evap. temp. in °C	-45	-40	-35	-30	-25	-23.3	-20	-15	-10	-6.7	-5	0	5	7.2	10	15	20
Capacity in W			63	86	112	122	142	179	226								
Power cons. in W			66	79	91	95	104	118	134								
Current cons. in A			0.51	0.55	0.59	0.60	0.63	0.68	0.75								
COP in W/W			0.95	1.09	1.23	1.27	1.37	1.52	1.68								

**ASHRAE LBP** 220V, 50Hz, 2 W PTC consumption incl., static cooling

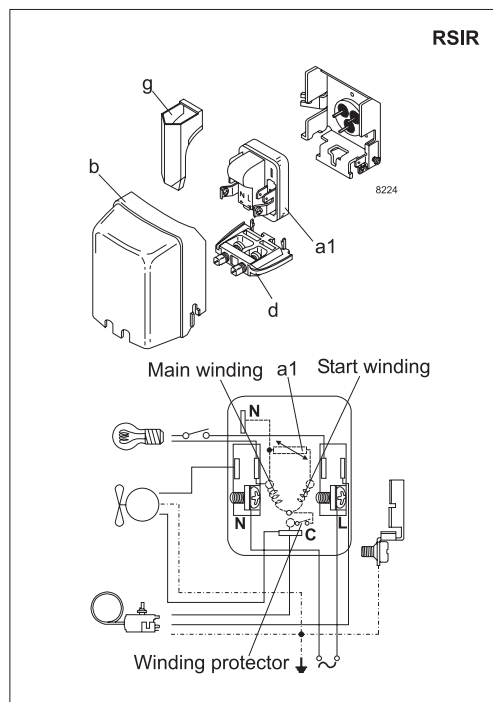
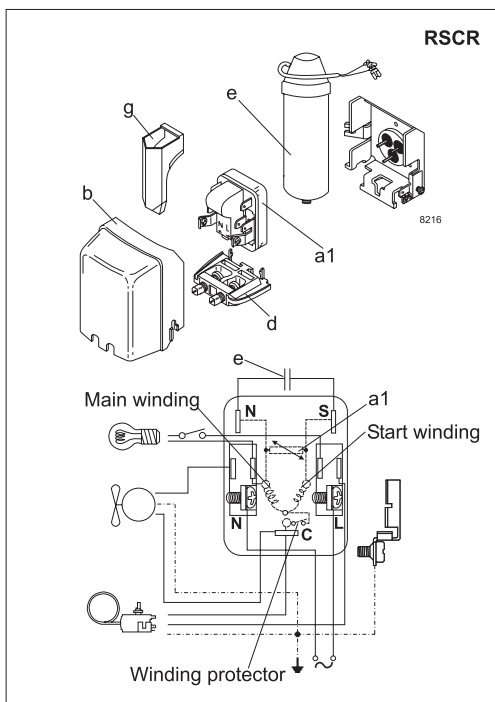
Evap. temp. in °C	-45	-40	-35	-30	-25	-23.3	-20	-15	-10	-6.7	-5	0	5	7.2	10	15	20
Capacity in W			76	105	137	148	173	218	275								
Power cons. in W			66	79	91	95	103	117	133								
Current cons. in A			0.51	0.55	0.59	0.60	0.63	0.68	0.74								
COP in W/W			1.15	1.33	1.50	1.56	1.68	1.87	2.06								

**EN 12900 Household (CECOMAF)** 220V, 50Hz, RC 4 µF, 2 W PTC consumption incl., static cooling

Evap. temp. in °C	-45	-40	-35	-30	-25	-23.3	-20	-15	-10	-6.7	-5	0	5	7.2	10	15	20
Capacity in W			64	88	114	124	144	182	228								
Power cons. in W			63	75	86	90	97	109	124								
Current cons. in A			0.30	0.35	0.40	0.41	0.44	0.50	0.57								
COP in W/W			1.01	1.17	1.32	1.38	1.49	1.66	1.85								

**ASHRAE LBP** 220V, 50Hz, RC 4 µF, 2 W PTC consumption incl., static cooling

Evap. temp. in °C	-45	-40	-35	-30	-25	-23.3	-20	-15	-10	-6.7	-5	0	5	7.2	10	15	20
Capacity in W			79	107	139	151	176	222	278								
Power cons. in W			63	75	86	90	97	109	123								
Current cons. in A			0.30	0.35	0.40	0.41	0.44	0.50	0.56								
COP in W/W			1.24	1.43	1.62	1.68	1.82	2.04	2.26								



Accessories for	DLE8.7KK	Figure	Code number
PTC starting device	6.3 mm spade connectors	a1	103N0016
	4.8 mm spade connectors		103N0021
ePTC starting device	4.8 mm spade connectors		103N0050
Cover		b	103N0491
Run capacitor 4 µF (optional)	6.3 mm spade connectors	e	-
	4.8 mm spade connectors		117-7119
Cord relief		d	103N1010
Protection screen for PTC		g	103N0476

Test conditions	EN 12900/CECOMAF	ASHRAE LBP
Condensing temperature	55°C	54.4°C
Ambient temperature	32°C	32°C
Suction gas temperature	32°C	32°C
Liquid temperature	no subcooling	32°C

Mounting accessories		Code number
Bolt joint for one comp.	Ø: 16 mm	118-1917
Bolt joint in quantities	Ø: 16 mm	118-1918
Snap-on in quantities	Ø: 16 mm	118-1919

Nidec GA Compressors accepts no responsibility for possible errors in catalogs, brochures, and other printed material. Nidec GA Compressors reserves the right to alter its products without notice. This also applies to products already on order provided that such alterations can be made without consequential changes being necessary to specifications already agreed. All trademarks in this material are the property of the respective companies. Secop and the Secop logotype are trademarks of Nidec Global Appliance Germany GmbH. All rights reserved. [www.secop.com](http://www.secop.com)