

DLX5.7KK.1 High Energy-optimized Compressor R600a 220-240V 50Hz

General

Code number	102H3659
Approvals	EN 60335-2-34 with Annex AA
Compressors on pallet	100

Application

Application	LBP		
Frequency	Hz	50	60
Evaporating temperature	°C	-35 to -5	-
Voltage range	V	198 - 254	-
Max. condensing temperature continuous (short)	°C	60 (70)	-
Max. winding temperature continuous (short)	°C	105 (115)	-

Cooling requirements

Frequency	Hz	50			60		
Application		LBP	MBP	HBP	LBP	MBP	HBP
32°C		S	-	-	-	-	-
38°C		S	-	-	-	-	-
43°C		S	-	-	-	-	-
Remarks on application:		Extended condensing temperature (65°C) at evaporating temperature range -30 to -10°C.					

Motor

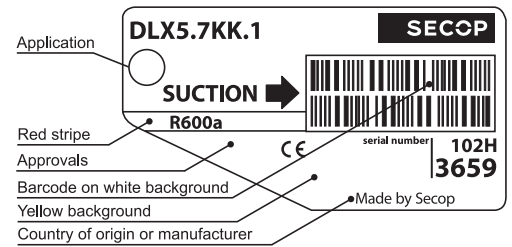
Motor type	RSCR		
LRA (rated after 4 sec. UL984), HST LST	A	-	1.8
Cut in Current, HST LST	A	-	5.4
Resistance, main start winding (25°C)	Ω	33.5	22.8

Design

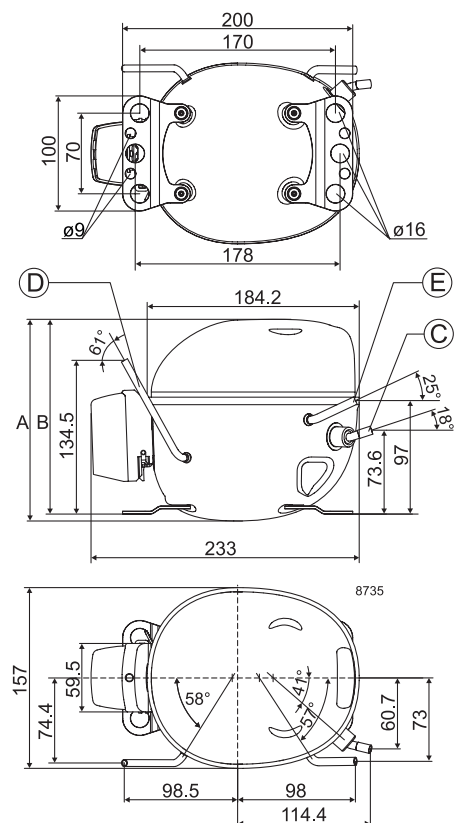
Displacement	cm ³	5.70
Oil quantity (type)	cm ³	155 (mineral)
Maximum refrigerant charge	g	150
Free gas volume in compressor	cm ³	1400
Weight without electrical equipment	kg	9.2

Dimensions

Height	mm	A	175
		B	169
		B1	-
		B2	-
Suction connector	location/I.D. mm angle	C	6.2 18°
	material comment	Cu-plated steel Rubber plug	
Process connector	location/I.D. mm angle	D	4.5 60°
	material comment	Copper Rubber plug	
Discharge connector	location/I.D. mm angle	E	5.0 25°
	material comment	Copper Rubber plug	
Oil cooler connector	location/I.D. mm angle	F	-
	material comment	-	
Connector tolerance	I.D. mm	±0.09, on 5.0 +0.12/+0.22 on 4.5 +0.10/-0.20	
Remarks:			



- S = Static cooling normally sufficient
- O = Oil cooling
- F₁ = Fan cooling 1.5 m/s
(compressor compartment temperature equal to ambient temperature)
- F₂ = Fan cooling 3.0 m/s necessary
- SG = Suction gas cooling normally sufficient
- = not applicable in this area

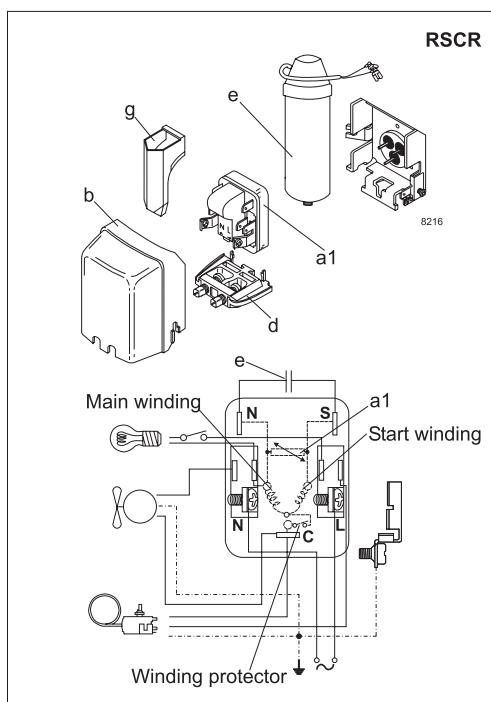


EN 12900 Household (CECOMAF) 220V, 50Hz, RC 2 µF, ePTC consumption incl., static cooling

Evap. temp. in °C	-45	-40	-35	-30	-25	-23.3	-20	-15	-10	-6.7	-5	0	5	7.2	10	15	20
Capacity in W			41.2	56.6	75.0	82.1	97.1	123	154	177	190						
Power cons. in W			36.9	44.0	51.0	53.3	58.1	65.7	74.2	80.4	83.8						
Current cons. in A			0.17	0.20	0.24	0.25	0.27	0.31	0.34	0.37	0.38						
COP in W/W			1.12	1.29	1.47	1.54	1.67	1.88	2.08	2.21	2.27						

ASHRAE LBP 220V, 50Hz, RC 2 µF, ePTC consumption incl., static cooling

Evap. temp. in °C	-45	-40	-35	-30	-25	-23.3	-20	-15	-10	-6.7	-5	0	5	7.2	10	15	20
Capacity in W			50.5	69.3	91.8	100	119	151	188	217	232						
Power cons. in W			37.1	44.0	50.9	53.2	57.9	65.5	73.9	80.0	83.5						
Current cons. in A			0.17	0.20	0.24	0.25	0.27	0.31	0.34	0.37	0.38						
COP in W/W			1.36	1.57	1.80	1.89	2.05	2.30	2.55	2.71	2.79						



Accessories for	DLX5.7KK.1	Figure	Code number
PTC starting device	6.3 mm spade connectors	a1	103N0016
	4.8 mm spade connectors		103N0021
ePTC starting device	4.8 mm spade connectors		103N0055
Cover		b	103N0491
Run capacitor 2 µF (compulsory)	6.3 mm spade connectors	e	—
	4.8 mm spade connectors		117-7136
Cord relief		d	103N1010
Protection screen for PTC		g	103N0476

Test conditions	EN 12900/CECOMAF	ASHRAE LBP
Condensing temperature	55°C	54.4°C
Ambient temperature	32°C	32°C
Suction gas temperature	32°C	32°C
Liquid temperature	no subcooling	32°C

Mounting accessories		Code number
Bolt joint for one comp.	Ø: 16 mm	118-1917
Bolt joint in quantities	Ø: 16 mm	118-1918
Snap-on in quantities	Ø: 16 mm	118-1919

Nidec GA Compressors accepts no responsibility for possible errors in catalogs, brochures, and other printed material. Nidec GA Compressors reserves the right to alter its products without notice. This also applies to products already on order provided that such alterations can be made without subsequential changes being necessary to specifications already agreed. All trademarks in this material are the property of the respective companies. Secop and the Secop logotype are trademarks of Nidec Global Appliance Germany GmbH. All rights reserved. www.secop.com