

Model

Designation	DLE4.8CN	220-240V/50Hz 1~	Sales code:	102H4565
-------------	-----------------	-------------------------	-------------	-----------------

Compressor design

Oil type	Polyolester	Refrigerant(s)	R290
Oil viscosity	32cST	Displacement	4,8cm ³ / 0,29cu.in
Oil quantity	223cm ³ / 7,6fl.oz	Compressors on pallet	100
Refr. charge - tech. limit	150g / 5,3oz		
Free gas volume comp.	1390cm ³ / 47fl.oz		
Weight	8,15kg / 18lbs		
Motor protection	1# internal		
Winding resistance main	17,3Ω (at 25°C)		
Winding resistance aux	18,76Ω (at 25°C)		
Max. winding temp.	125°C / 257°F		
Max. discharge temp.	130°C / 266°F		



General - Configurations with DLE4.8CN

	Conf. 1	Conf. 2	Conf. 3	Conf. 4	Conf. 5
Motorconfiguration	CSIR	RSIR	RSCR	RSCR	CSIR
Power supply (nominal)	220-240V/50Hz	220-240V/50Hz	220-240V/50Hz	220-240V/50Hz	220-240V/50Hz
Number of phases	1	1	1	1	1
Voltage range	198-254V	198-254V	198-254V	198-254V	187-254V
Approvals	VDE, CCC	VDE, CCC	VDE, CCC	VDE, CCC	
Starting torque	HST	LST	LST	LST	HST
Note	- / -				

Applications with DLE4.8CN

	Conf. 1	Conf. 2	Conf. 3	Conf. 4	Conf. 5
Refrigerant	R290	R290	R290	R290	R290
Application	LBP+MBP	LBP+MBP	LBP+MBP	LBP+MBP	LBP+MBP
System cooling	fan 3m/s	fan 3m/s	fan 3m/s	static	fan 3m/s
Hot gas defrost	OK	OK	OK	OK	OK
Long interval pull down	OK	OK	OK	OK	OK

Electrical data - Configurations with DLE4.8CN

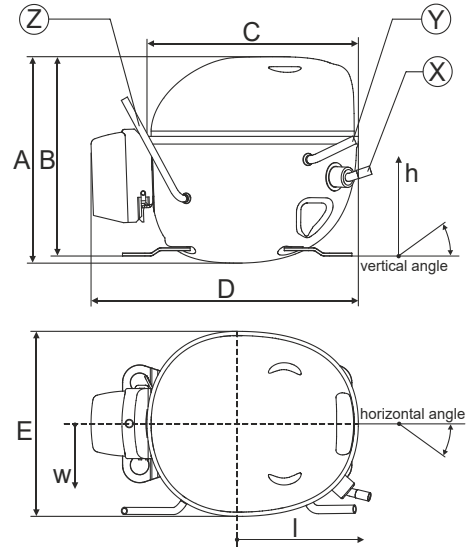
	Conf. 1	Conf. 2	Conf. 3	Conf. 4	Conf. 5
Starting device type	relay	PTC	PTC	PTC	relay
Run capacitor	-/-	-/-	5μF	5μF	-/-
Start capacitor	60μF	-/-	-/-	-/-	60μF
LRA (locked rotor amps / 4s)	6,54A	5,81A	5,81A	5,81A	6,54A
RLA (rated load amps / 1s)	1,25A	1,25A	1,05A	1,05A	1,25A
Cut in current	6,54A	9,88A	9,88A	9,88A	6,54A

Model

Designation	DLE4.8CN	220-240V/50Hz 1~	Sales code:	102H4565
-------------	-----------------	-------------------------	-------------	-----------------

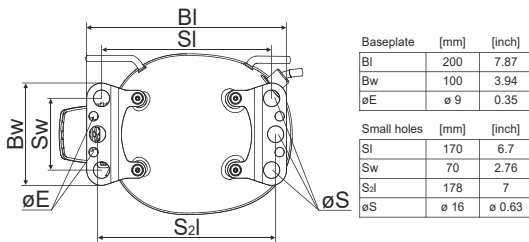
Compressor dimensions

Housing	A Height	174mm / 6,85in
	B Height	168mm / 6,61in
	C Length shell	183mm / 7,2in
	D Length w. cover	232mm / 9,13in
	E Width	156mm / 6,14in

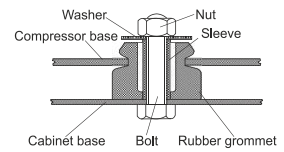


Connectors		Suction	Discharge	Process
		X	Y	Z
Diameter	[mm]	øi 8,11-8,29	øi 6,11-6,29	øi 6,1-6,3
	(i:inside, o:outside) [in]	øi 0,32-0,33	øi 0,24-0,25	øi 0,24-0,25
Material		copper	copper	copper
Horizontal angle	±2°	10°	0°	0°
Vertical angle	±2°	18°	25°	119°
Position l/h/w	[mm]	135/77/67	98/96/72	-98/133/73
	[in]	5,3/3/2,6	3,8/3,8/2,8	-3,9/5,2/2,9
Straight tube l.	[mm]	12	12	12
	[in]	0,5	0,5	0,5

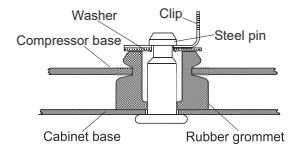
Compressor fixation



Bolt joint



Snap-on



Mounting accessories	one comp.	multi pack
Bolt joint M6 ø16mm	118-1917	118-1918
Bolt joint ø1/4" ø16mm	118-1946	
Snap-on ø7,3 ø16mm	118-1947	118-1919

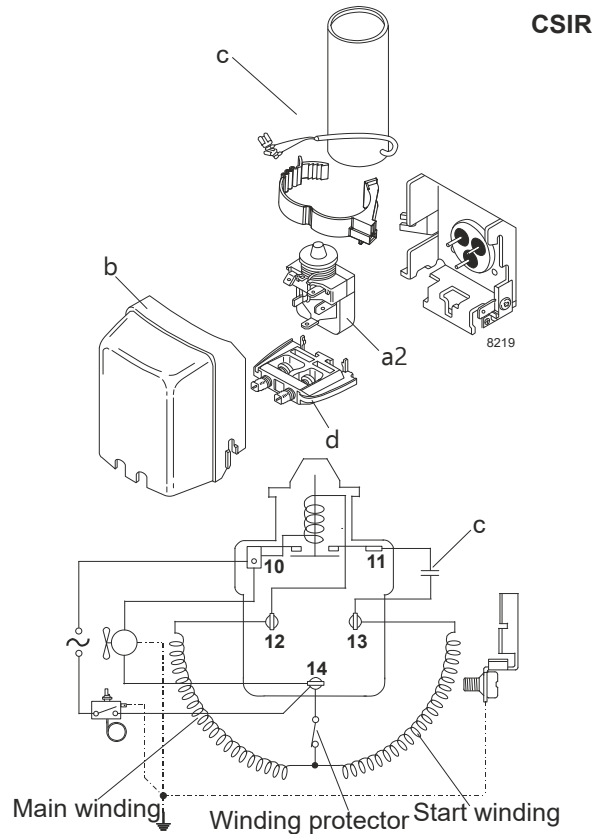
Model

Designation	DLE4.8CN	220-240V/50Hz	Conf. 1	Sales code:	102H4565
-------------	-----------------	----------------------	----------------	-------------	-----------------

Configuration

Motorconfiguration	CSIR
Power supply (nominal)	220-240V/50Hz 1~
Refrigerant	R290
Application	LBP+MBP
Voltage range	198-254V
Starting torque	HST
Approvals	VDE CCC

Electrical accessories / wiring diagram

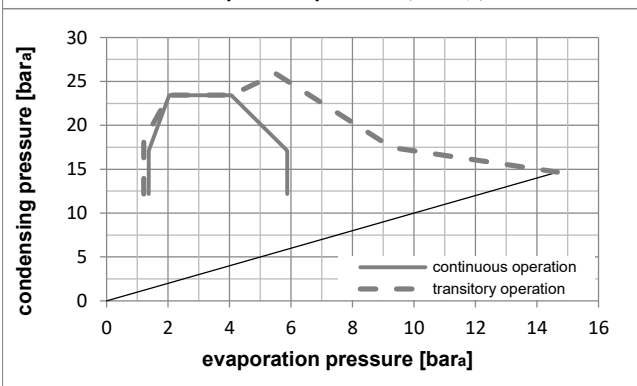
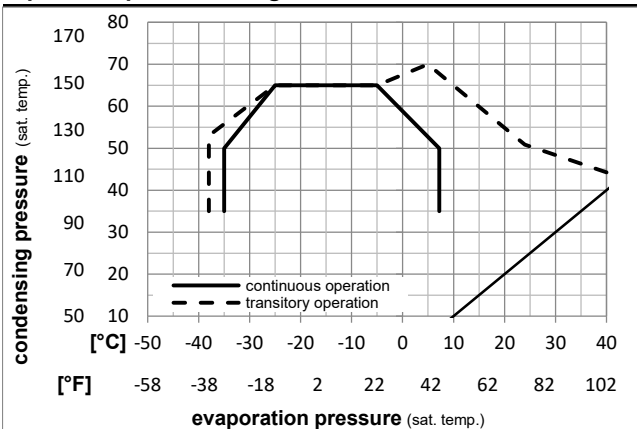


Ambient temperatures / system cooling

Ambient temperature min.:	10°C / 50°F
Ambient temperature max.:	43°C / 110°F

System cooling (n/a: outside limits)			
T ambient	LBP	MBP	HBP
32°C / 90°F	fan 3m/s	fan 3m/s	n/a
38°C / 100°F	fan 3m/s	fan 3m/s	n/a
43°C / 110°F	fan 3m/s	fan 3m/s	n/a

Operation pressure range



Components

a2	current relay	117U7001
c	start capacitor (60µF)	117U5014
b	plastic cover	103N0491
d	cord relief	103N1010

Model

Designation **DLE4.8CN 220-240V/50Hz** Conf. 1 Sales code: **102H4565**

Optimization + standard conditions

R290, 220V/50Hz, CSIR, fan 3m/s, VDE, CCC

Evaporating pressure (saturation temperature)		Condensing pressure (saturation temperature)				Return gas temp.		Liquid temp.		Cooling capacity			COP	EER	P1	Current consumption		Ref. mass flow	
pe	pc	RGT	Tliq		[W]	[Btu/h]	[kcal/h]	[W/W]	[Btu/Wh]	[kcal/Wh]	[W]	[A]	[kg/h]						
[°C]	-23,3	54,4	32,2	32,2	242,1	827	208,3	1,56	5,32	1,34	155,3	1,01	2,45	ASHRAE LBP					
[°F]	-10	130	90	90															
[°C]	-25	55	32	55	182,3	623	156,9	1,21	4,14	1,04	150,2	0,99	2,27	cecomaf LBP					
[°F]	-13	131	89,6	131															
[°C]	-35	40	20	40	114,0	389	98,1	0,99	3,37	0,85	115,6	0,86	1,30	EN12900 LBP					
[°F]	-31	104	68	104															
[°C]	-6,66	54,4	35	46,1	415,7	1420	357,8	1,98	6,75	1,70	210,4	1,20	4,74	ASHRAE MBP					
[°F]	20	130	95	115															
[°C]	-10	55	32	55	330,8	1130	284,6	1,65	5,62	1,42	200,9	1,17	4,18	cecomaf MBP					
[°F]	14	131	89,6	131															
[°C]	-10	45	20	45	362,5	1238	312,0	2,00	6,81	1,72	181,7	1,09	4,45	EN12900 MBP					
[°F]	14	113	68	113															

Performance tables

R290, 220V/50Hz, CSIR, fan 3m/s, VDE, CCC

	pe	Cooling capacity			COP	EER	P1	I	m		
	[°C]	[°F]	[W]	[Btu/h]	[kcal/h]	[W/W]	[Btu/Wh]	[kcal/Wh]	[W]	[A]	[kg/h]
[°C / °F]	-35	-31	107,0	365	92,1	0,91	3,10	0,78	117,9	0,87	1,20
cond. pressure	-25	-13	200,9	686	172,9	1,40	4,80	1,21	143,0	0,96	2,27
pc= 45/113	-15	5	310,5	1061	267,3	1,83	6,26	1,58	169,4	1,05	3,53
return gas temp.	-10	14	377,4	1289	324,8	2,08	7,09	1,79	181,7	1,09	4,32
RGT= 32/90	-5	23	455,5	1556	392,0	2,36	8,07	2,03	192,8	1,13	5,24
liquid temp	0	32	547,4	1869	471,1	2,71	9,25	2,33	202,2	1,17	6,35
Tliq= 45/113	7,2	45	708,6	2420	609,8	3,35	11,44	2,88	211,6	1,21	8,33
[°C / °F]	-35	-31	103,9	355	89,5	0,87	2,99	0,75	118,9	0,89	1,29
cond. pressure	-25	-13	182,3	623	156,9	1,21	4,14	1,04	150,2	0,99	2,27
pc= 55/131	-15	5	273,9	935	235,7	1,49	5,08	1,28	184,2	1,11	3,44
return gas temp	-10	14	330,8	1130	284,6	1,65	5,62	1,42	200,9	1,17	4,18
RGT= 32/90	-5	23	398,2	1360	342,7	1,84	6,27	1,58	216,9	1,23	5,07
liquid temp	0	32	478,8	1635	412,1	2,07	7,07	1,78	231,4	1,29	6,15
Tliq= 55/131	7,2	45	622,7	2127	535,9	2,50	8,54	2,15	249,0	1,37	8,11

Model

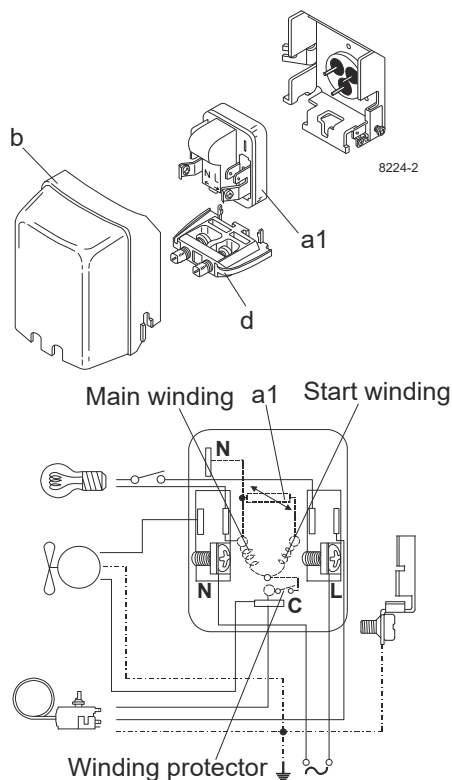
Designation	DLE4.8CN	220-240V/50Hz	Conf. 2	Sales code:	102H4565
-------------	-----------------	----------------------	----------------	-------------	-----------------

Configuration

Motorconfiguration	RSIR
Power supply (nominal)	220-240V/50Hz 1~
Refrigerant	R290
Application	LBP+MBP
Voltage range	198-254V
Starting torque	LST
Approvals	VDE CCC

Electrical accessories / wiring diagram

RSIR

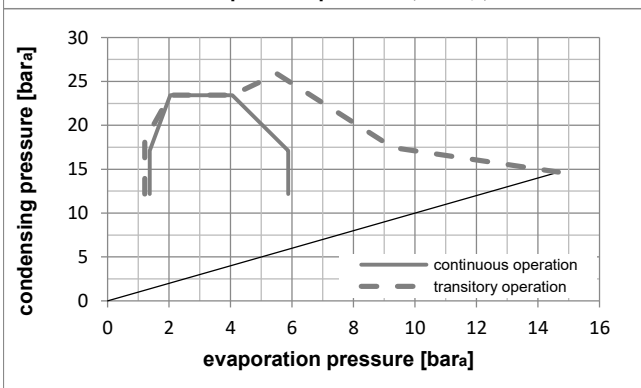
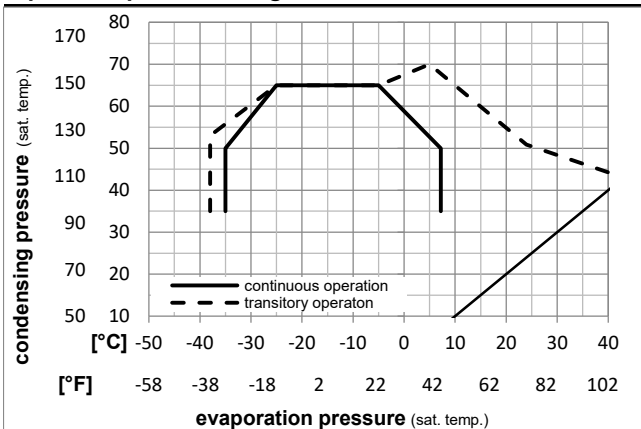


Ambient temperatures / system cooling

Ambient temperature min.:	10°C / 50°F
Ambient temperature max.:	43°C / 110°F

System cooling (n/a: outside limits)			
T ambient	LBP	MBP	HBP
32°C / 90°F	fan 3m/s	fan 3m/s	n/a
38°C / 100°F	fan 3m/s	fan 3m/s	n/a
43°C / 110°F	fan 3m/s	fan 3m/s	n/a

Operation pressure range



Components

a1	e-PTC starter (220V, 250ohm, 4.8mm)	103N0050
b	plastic cover	103N0491
d	cord relief	103N1010

Model

Designation **DLE4.8CN 220-240V/50Hz** Conf. 2 Sales code: **102H4565**

Optimization + standard conditions

R290, 220V/50Hz, RSIR, fan 3m/s, VDE, CCC

Evaporating pressure (saturation temperature)		Condensing pressure (saturation temperature)				Cooling capacity						Power consumption			ASHRAE LBP
		Return gas temp.				COP						Current consumption			
		Liquid temp.				EER						Ref. mass flow			
pe	pc	RGT	Tliq	[W]	[Btu/h]	[kcal/h]	[W/W]	[Btu/Wh]	[kcal/Wh]	P1	I	m			
[°C]	[°F]	[°C]	[°F]	[W]	[Btu/h]	[kcal/h]	[W/W]	[Btu/Wh]	[kcal/Wh]	[W]	[A]	[kg/h]			
-23	54,4	32,2	32,2	242,1	827	208,3	1,56	5,32	1,34	155,3	1,01	2,45	ASHRAE LBP		
-10	130	90	90												
-25	55	32	55	182,3	623	156,9	1,21	4,14	1,04	150,2	0,99	2,27	cecomaf LBP		
-13	131	89,6	131												
-35	40	20	40	114,0	389	98,1	0,99	3,37	0,85	115,6	0,86	1,30	EN12900 LBP		
-31	104	68	104												
-6,7	54,4	35	46,1	415,7	1420	357,8	1,98	6,75	1,70	210,4	1,20	4,74	ASHRAE MBP		
20	130	95	115												
-10	55	32	55	330,8	1130	284,6	1,65	5,62	1,42	200,9	1,17	4,18	cecomaf MBP		
14	131	89,6	131												
-10	45	20	45	362,5	1238	312,0	2,00	6,81	1,72	181,7	1,09	4,45	EN12900 MBP		
14	113	68	113												

Performance tables

R290, 220V/50Hz, RSIR, fan 3m/s, VDE, CCC

	pe	Cooling capacity			COP			EER			P1	I	m
	[°C]	[°F]	[W]	[Btu/h]	[kcal/h]	[W/W]	[Btu/Wh]	[kcal/Wh]	[W]	[A]	[kg/h]		
[°C / °F]	-35	-31	107,0	365	92,1	0,91	3,10	0,78	117,9	0,87	1,20		
cond. pressure	-25	-13	200,9	686	172,9	1,40	4,80	1,21	143,0	0,96	2,27		
pc= 45/113	-15	5	310,5	1061	267,3	1,83	6,26	1,58	169,4	1,05	3,53		
return gas temp.	-10	14	377,4	1289	324,8	2,08	7,09	1,79	181,7	1,09	4,32		
RGT= 32/90	-5	23	455,5	1556	392,0	2,36	8,07	2,03	192,8	1,13	5,24		
liquid temp	0	32	547,4	1869	471,1	2,71	9,25	2,33	202,2	1,17	6,35		
Tliq= 45/113	7,2	45	708,6	2420	609,8	3,35	11,44	2,88	211,6	1,21	8,33		
[°C / °F]	-35	-31	103,9	355	89,5	0,87	2,99	0,75	118,9	0,89	1,29		
cond. pressure	-25	-13	182,3	623	156,9	1,21	4,14	1,04	150,2	0,99	2,27		
pc= 55/131	-15	5	273,9	935	235,7	1,49	5,08	1,28	184,2	1,11	3,44		
return gas temp	-10	14	330,8	1130	284,6	1,65	5,62	1,42	200,9	1,17	4,18		
RGT= 32/90	-5	23	398,2	1360	342,7	1,84	6,27	1,58	216,9	1,23	5,07		
liquid temp	0	32	478,8	1635	412,1	2,07	7,07	1,78	231,4	1,29	6,15		
Tliq= 55/131	7,2	45	622,7	2127	535,9	2,50	8,54	2,15	249,0	1,37	8,11		

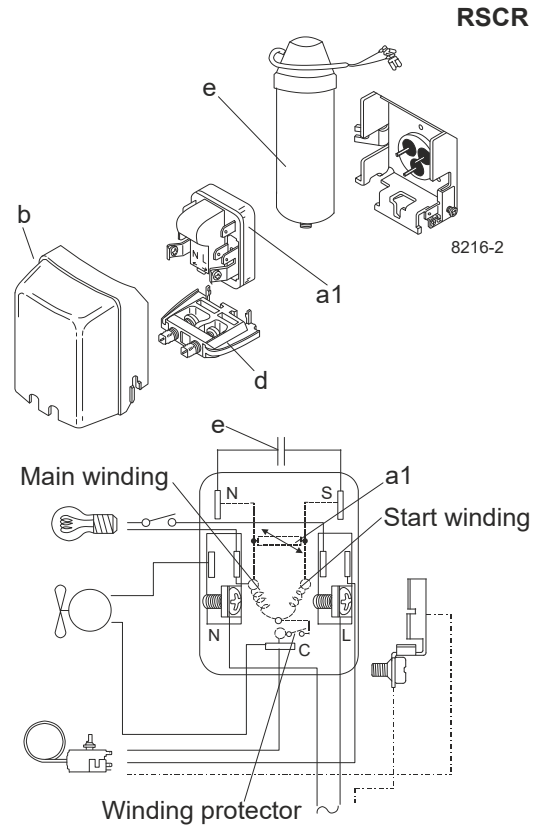
Model

Designation	DLE4.8CN	220-240V/50Hz	Conf. 3	Sales code:	102H4565
-------------	-----------------	----------------------	----------------	-------------	-----------------

Configuration

Motorconfiguration	RSCR
Power supply (nominal)	220-240V/50Hz 1~
Refrigerant	R290
Application	LBP+MBP
Voltage range	198-254V
Starting torque	LST
Approvals	VDE CCC

Electrical accessories / wiring diagram

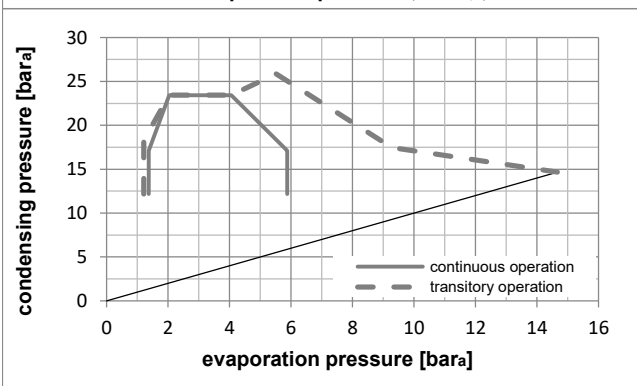
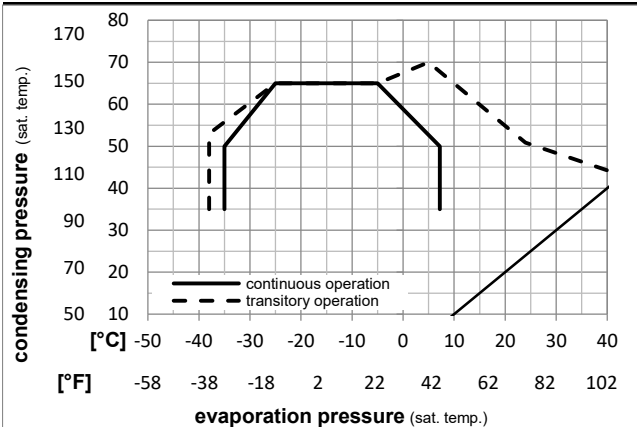


Ambient temperatures / system cooling

Ambient temperature min.:	10°C / 50°F
Ambient temperature max.:	43°C / 110°F

System cooling (n/a: outside limits)			
T ambient	LBP	MBP	HBP
32°C / 90°F	fan 3m/s	fan 3m/s	n/a
38°C / 100°F	fan 3m/s	fan 3m/s	n/a
43°C / 110°F	fan 3m/s	fan 3m/s	n/a

Operation pressure range



Components

a1	e-PTC starter (220V, 250hm, 4.8mm)	103N0050
e	run capacitor (5μF, 4.8mm)	117-7129
b	plastic cover	103N0491
d	cord relief	103N1010
	bracket for run capacitor	117-0300
	screw M4x8mm	117-0301

Model

Designation **DLE4.8CN 220-240V/50Hz** Conf. 3 Sales code: **102H4565**

Optimization + standard conditions

R290, 220V/50Hz, RSCR, fan 3m/s, VDE, CCC

Evaporating pressure (saturation temperature)		Condensing pressure (saturation temperature)				Return gas temp.		Liquid temp.		Cooling capacity			COP	EER	P1	Current consumption		Ref. mass flow	
pe	pc	RGT	Tliq		[W]	[Btu/h]	[kcal/h]	[W/W]	[Btu/Wh]	[kcal/Wh]	[W]	[A]	[kg/h]						
[°C]	-23,3	54,4	32,2	32,2	241,1	824	207,5	1,65	5,62	1,42	146,5	0,91	2,44	ASHRAE					LBP
[°F]	-10	130	90	90															
[°C]	-25	55	32	55	181,3	619	156,1	1,28	4,36	1,10	141,9	0,90	2,26	cecomaf					LBP
[°F]	-13	131	89,6	131															
[°C]	-35	40	20	40	123,1	420	106,0	1,11	3,80	0,96	110,5	0,79	1,41	EN12900					LBP
[°F]	-31	104	68	104															
[°C]	-6,66	54,4	35	46,1	420,5	1436	361,9	2,15	7,36	1,85	195,2	1,13	4,80	ASHRAE					MBP
[°F]	20	130	95	115															
[°C]	-10	55	32	55	334,3	1142	287,7	1,79	6,11	1,54	186,8	1,09	4,23	cecomaf					MBP
[°F]	14	131	89,6	131															
[°C]	-10	45	20	45	367,1	1254	316,0	2,17	7,41	1,87	169,2	0,99	4,51	EN12900					MBP
[°F]	14	113	68	113															

Performance tables

R290, 220V/50Hz, RSCR, fan 3m/s, VDE, CCC

	pe	Cooling capacity			COP	EER	P1	I	m		
	[°C]	[°F]	[W]	[Btu/h]	[kcal/h]	[W/W]	[Btu/Wh]	[kcal/Wh]	[W]	[A]	[kg/h]
[°C / °F]	-35	-31	116,0	396	99,8	1,03	3,51	0,88	112,8	0,80	1,30
cond. pressure	-25	-13	203,7	696	175,3	1,51	5,15	1,30	135,2	0,83	2,30
pc= 45/113	-15	5	313,9	1072	270,2	1,98	6,77	1,71	158,3	0,93	3,57
return gas temp.	-10	14	382,2	1305	328,9	2,26	7,72	1,94	169,2	0,99	4,37
RGT= 32/90	-5	23	461,8	1577	397,4	2,58	8,81	2,22	179,1	1,04	5,32
liquid temp	0	32	554,6	1894	477,3	2,95	10,09	2,54	187,7	1,09	6,43
Tliq= 45/113	7,2	45	715,3	2443	615,6	3,63	12,40	3,13	197,0	1,11	8,40
[°C / °F]	-35	-31	104,9	358	90,3	0,92	3,14	0,79	114,0	0,85	1,30
cond. pressure	-25	-13	181,3	619	156,1	1,28	4,36	1,10	141,9	0,90	2,26
pc= 55/131	-15	5	275,7	942	237,3	1,60	5,48	1,38	171,9	1,02	3,47
return gas temp	-10	14	334,3	1142	287,7	1,79	6,11	1,54	186,8	1,09	4,23
RGT= 32/90	-5	23	403,2	1377	347,0	2,01	6,85	1,73	201,0	1,16	5,14
liquid temp	0	32	484,1	1653	416,7	2,26	7,72	1,94	214,3	1,22	6,22
Tliq= 55/131	7,2	45	625,8	2137	538,6	2,71	9,26	2,33	230,8	1,26	8,15

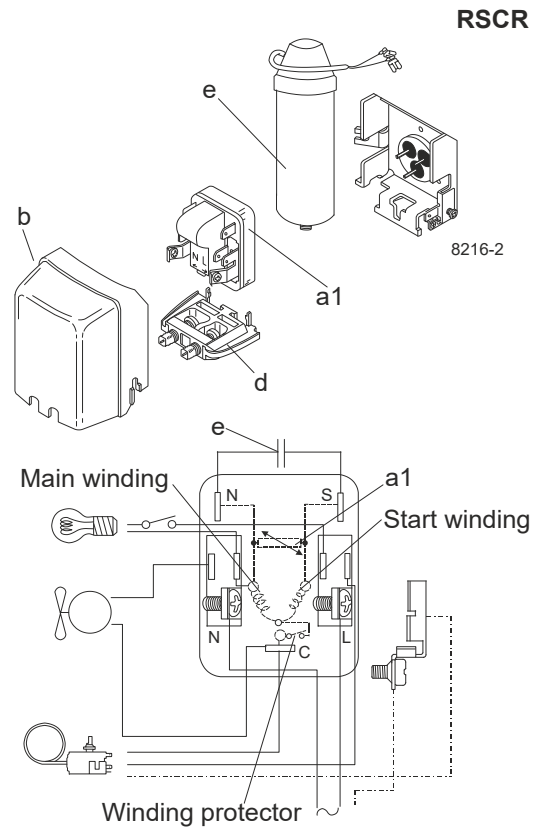
Model

Designation	DLE4.8CN	220-240V/50Hz	Conf. 4	Sales code:	102H4565
-------------	-----------------	----------------------	----------------	-------------	-----------------

Configuration

Motorconfiguration	RSCR
Power supply (nominal)	220-240V/50Hz 1~
Refrigerant	R290
Application	LBP+MBP
Voltage range	198-254V
Starting torque	LST
Approvals	VDE CCC

Electrical accessories / wiring diagram

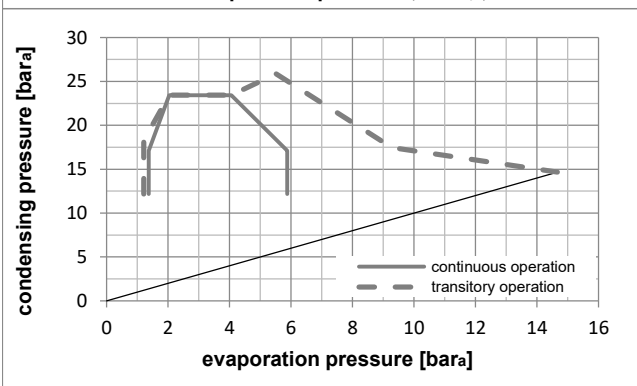
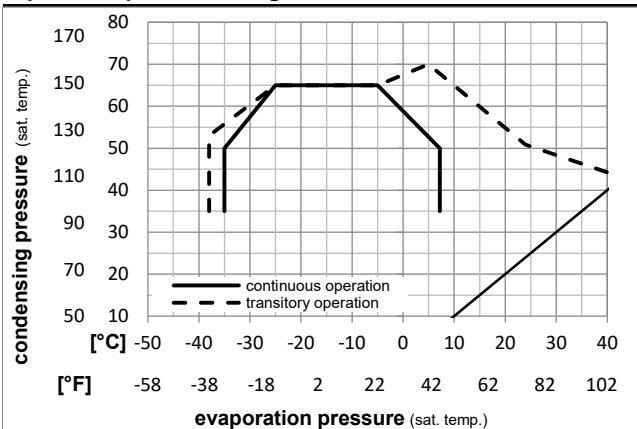


Ambient temperatures / system cooling

Ambient temperature min.:	10°C / 50°F
Ambient temperature max.:	43°C / 110°F

System cooling (n/a: outside limits)			
T ambient	LBP	MBP	HBP
32°C / 90°F	static	static	n/a
38°C / 100°F	static	static	n/a
43°C / 110°F	static	static	n/a

Operation pressure range



Components

a1	e-PTC starter (220V, 250ohm, 4.8mm)	103N0050
e	run capacitor (5μF, 4.8mm)	117-7129
b	plastic cover	103N0491
d	cord relief	103N1010
	bracket for run capacitor	117-0300
	screw M4x8mm	117-0301

Model

Designation **DLE4.8CN 220-240V/50Hz** Conf. 4 Sales code: **102H4565**

Optimization + standard conditions

R290, 220V/50Hz, RSCR, static, VDE, CCC

Evaporating pressure (saturation temperature)		Condensing pressure (saturation temperature)				Return gas temp.		Liquid temp.		Cooling capacity			COP	EER	Power consumption		Ref. mass flow m	ASHRAE LBP
pe	pc	RGT	Tliq	[W]	[Btu/h]	[kcal/h]	[W/W]	[Btu/Wh]	[kcal/Wh]	P1	I	[kg/h]						
[°C]	[°C]	[°C]	[°C]	[W]	[Btu/h]	[kcal/h]	[W/W]	[Btu/Wh]	[kcal/Wh]	[W]	[A]	[kg/h]						
-23,3	54,4	32,2	32,2	235,8	805	202,9	1,62	5,54	1,40	145,3	0,90	2,39	ASHRAE LBP					
-10	130	90	90															
[°F]	[°F]	[°F]	[°F]	[W]	[Btu/h]	[kcal/h]	[W/W]	[Btu/Wh]	[kcal/Wh]	[W]	[A]	[kg/h]						
-25	55	32	55	177,6	606	152,8	1,26	4,32	1,09	140,4	0,89	2,21	cecomaf LBP					
-13	131	89,6	131															
[°F]	[°F]	[°F]	[°F]	[W]	[Btu/h]	[kcal/h]	[W/W]	[Btu/Wh]	[kcal/Wh]	[W]	[A]	[kg/h]						
-35	40	20	40	130,2	445	112,0	1,22	4,17	1,05	106,6	0,76	1,49	EN12900 LBP					
-31	104	68	104															
[°F]	[°F]	[°F]	[°F]	[W]	[Btu/h]	[kcal/h]	[W/W]	[Btu/Wh]	[kcal/Wh]	[W]	[A]	[kg/h]						
-6,66	54,4	35	46,1	413,6	1413	356,0	2,11	7,22	1,82	195,6	1,13	4,72	ASHRAE MBP					
20	130	95	115															
[°F]	[°F]	[°F]	[°F]	[W]	[Btu/h]	[kcal/h]	[W/W]	[Btu/Wh]	[kcal/Wh]	[W]	[A]	[kg/h]						
-10	55	32	55	328,7	1123	282,9	1,76	6,00	1,51	187,1	1,09	4,16	cecomaf MBP					
14	131	89,6	131															
[°F]	[°F]	[°F]	[°F]	[W]	[Btu/h]	[kcal/h]	[W/W]	[Btu/Wh]	[kcal/Wh]	[W]	[A]	[kg/h]						
-10	45	20	45	360,5	1231	310,3	2,13	7,26	1,83	169,5	0,99	4,43	EN12900 MBP					
14	113	68	113															
[°F]	[°F]	[°F]	[°F]	[W]	[Btu/h]	[kcal/h]	[W/W]	[Btu/Wh]	[kcal/Wh]	[W]	[A]	[kg/h]						

Performance tables

R290, 220V/50Hz, RSCR, static, VDE, CCC

pe	Cooling capacity			COP		EER		P1		I	m
	[°C]	[°F]	[W]	[Btu/h]	[kcal/h]	[W/W]	[Btu/Wh]	[kcal/Wh]	[W]	[A]	[kg/h]
[°C / °F]	-35	-31	122,7	419	105,6	1,13	3,85	0,97	108,8	0,78	1,38
cond. pressure	-25	-13	200,0	683	172,1	1,50	5,11	1,29	133,7	0,82	2,26
pc= 45/113	-15	5	307,6	1051	264,8	1,94	6,64	1,67	158,2	0,93	3,50
return gas temp.	-10	14	375,3	1282	323,0	2,21	7,56	1,91	169,5	0,99	4,29
RGT= 32/90	-5	23	453,6	1549	390,4	2,53	8,63	2,17	179,6	1,05	5,22
liquid temp	0	32	543,5	1856	467,7	2,89	9,87	2,49	188,1	1,09	6,30
Tliq= 45/113	7,2	45	695,3	2375	598,4	3,53	12,05	3,04	197,0	1,11	8,17
[°C / °F]	-35	-31	110,6	378	95,2	1,01	3,43	0,87	110,0	0,82	1,37
cond. pressure	-25	-13	177,6	606	152,8	1,26	4,32	1,09	140,4	0,89	2,21
pc= 55/131	-15	5	270,2	923	232,6	1,57	5,37	1,35	171,9	1,02	3,40
return gas temp	-10	14	328,7	1123	282,9	1,76	6,00	1,51	187,1	1,09	4,16
RGT= 32/90	-5	23	396,6	1354	341,3	1,97	6,72	1,69	201,5	1,16	5,05
liquid temp	0	32	474,9	1622	408,7	2,21	7,55	1,90	214,7	1,22	6,10
Tliq= 55/131	7,2	45	608,0	2076	523,2	2,63	8,99	2,27	230,9	1,26	7,92

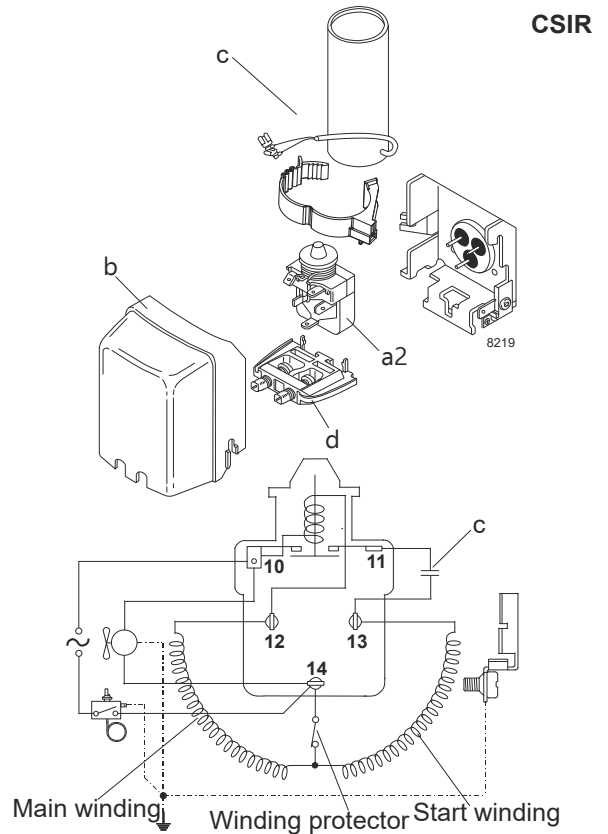
Model

Designation	DLE4.8CN	220-240V/50Hz	Conf. 5	Sales code:	102H4565
-------------	-----------------	----------------------	----------------	-------------	-----------------

Configuration

Motorconfiguration	CSIR
Power supply (nominal)	220-240V/50Hz 1~
Refrigerant	R290
Application	LBP+MBP
Voltage range	187-254V
Starting torque	HST
Approvals	

Electrical accessories / wiring diagram

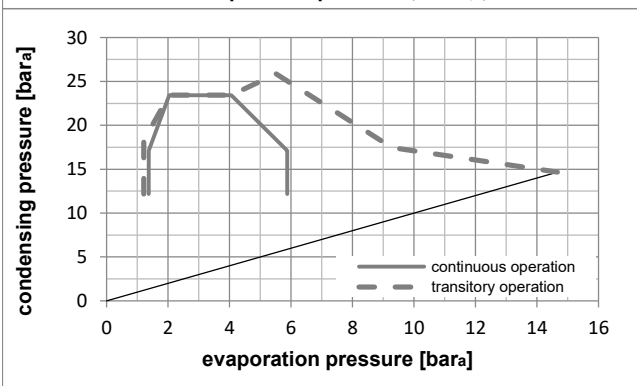
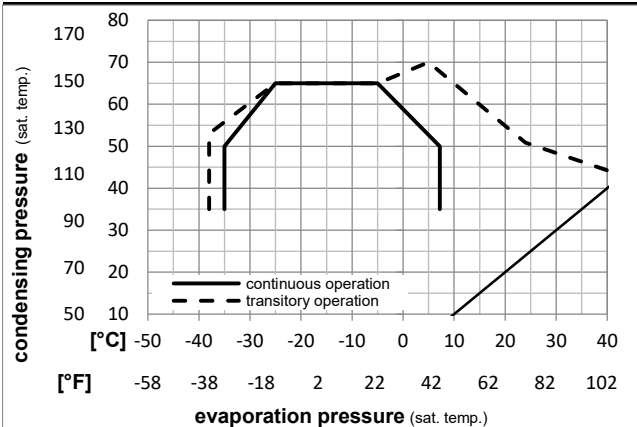


Ambient temperatures / system cooling

Ambient temperature min.:	10°C / 50°F
Ambient temperature max.:	43°C / 110°F

System cooling (n/a: outside limits)			
T ambient	LBP	MBP	HBP
32°C / 90°F	fan 3m/s	fan 3m/s	n/a
38°C / 100°F	fan 3m/s	fan 3m/s	n/a
43°C / 110°F	fan 3m/s	fan 3m/s	n/a

Operation pressure range



Components

a2	current relay	117U7001
c	start capacitor (60µF)	117U5014
b	plastic cover	103N0491
d	cord relief	103N1010

Model

Designation	DLE4.8CN	220-240V/50Hz	Conf. 5	Sales code:	102H4565
-------------	-----------------	----------------------	----------------	-------------	-----------------

Optimization + standard conditions

R290, 220V/50Hz, CSIR, fan 3m/s,

Evaporating pressure (saturation temperature)		Condensing pressure (saturation temperature)				Cooling capacity			COP		EER		Power consumption		Ref. mass flow m	ASHRAE LBP
pe	pc	RGT	Tliq	[W]	[Btu/h]	[kcal/h]	[W/W]	[Btu/Wh]	[kcal/Wh]	P1	I	[kg/h]				
[°C]	[°C]	[°C]	[°C]	[W]	[Btu/h]	[kcal/h]	[W/W]	[Btu/Wh]	[kcal/Wh]	[W]	[A]	[kg/h]				
-23,3	54,4	32,2	32,2	242,1	827	208,3	1,56	5,32	1,34	155,3	1,01	2,45	ASHRAE LBP			
-10	130	90	90													
[°F]	[°F]	[°F]	[°F]	[W]	[Btu/h]	[kcal/h]	[W/W]	[Btu/Wh]	[kcal/Wh]	[W]	[A]	[kg/h]				
-25	55	32	55	182,3	623	156,9	1,21	4,14	1,04	150,2	0,99	2,27	cecomaf LBP			
-13	131	89,6	131													
[°F]	[°F]	[°F]	[°F]	[W]	[Btu/h]	[kcal/h]	[W/W]	[Btu/Wh]	[kcal/Wh]	[W]	[A]	[kg/h]				
-35	40	20	40	114,0	389	98,1	0,99	3,37	0,85	115,6	0,86	1,30	EN12900 LBP			
-31	104	68	104													
[°F]	[°F]	[°F]	[°F]	[W]	[Btu/h]	[kcal/h]	[W/W]	[Btu/Wh]	[kcal/Wh]	[W]	[A]	[kg/h]				
-6,66	54,4	35	46,1	415,7	1420	357,8	1,98	6,75	1,70	210,4	1,20	4,74	ASHRAE MBP			
20	130	95	115													
[°F]	[°F]	[°F]	[°F]	[W]	[Btu/h]	[kcal/h]	[W/W]	[Btu/Wh]	[kcal/Wh]	[W]	[A]	[kg/h]				
-10	55	32	55	330,8	1130	284,6	1,65	5,62	1,42	200,9	1,17	4,18	cecomaf MBP			
14	131	89,6	131													
[°F]	[°F]	[°F]	[°F]	[W]	[Btu/h]	[kcal/h]	[W/W]	[Btu/Wh]	[kcal/Wh]	[W]	[A]	[kg/h]				
-10	45	20	45	362,5	1238	312,0	2,00	6,81	1,72	181,7	1,09	4,45	EN12900 MBP			
14	113	68	113													
[°F]	[°F]	[°F]	[°F]	[W]	[Btu/h]	[kcal/h]	[W/W]	[Btu/Wh]	[kcal/Wh]	[W]	[A]	[kg/h]				

Performance tables

R290, 220V/50Hz, CSIR, fan 3m/s,

pe	Cooling capacity			COP		EER		P1		I		m	
	[°C]	[°F]	[W]	[Btu/h]	[kcal/h]	[W/W]	[Btu/Wh]	[kcal/Wh]	[W]	[A]	[kg/h]		
[°C / °F]	-35	-31	107,0	365	92,1	0,91	3,10	0,78	117,9	0,87	1,20		
cond. pressure	-25	-13	200,9	686	172,9	1,40	4,80	1,21	143,0	0,96	2,27		
pc= 45/113	-15	5	310,5	1061	267,3	1,83	6,26	1,58	169,4	1,05	3,53		
return gas temp.	-10	14	377,4	1289	324,8	2,08	7,09	1,79	181,7	1,09	4,32		
RGT= 32/90	-5	23	455,5	1556	392,0	2,36	8,07	2,03	192,8	1,13	5,24		
liquid temp	0	32	547,4	1869	471,1	2,71	9,25	2,33	202,2	1,17	6,35		
Tliq= 45/113	7,2	45	708,6	2420	609,8	3,35	11,44	2,88	211,6	1,21	8,33		
[°C / °F]	-35	-31	103,9	355	89,5	0,87	2,99	0,75	118,9	0,89	1,29		
cond. pressure	-25	-13	182,3	623	156,9	1,21	4,14	1,04	150,2	0,99	2,27		
pc= 55/131	-15	5	273,9	935	235,7	1,49	5,08	1,28	184,2	1,11	3,44		
return gas temp	-10	14	330,8	1130	284,6	1,65	5,62	1,42	200,9	1,17	4,18		
RGT= 32/90	-5	23	398,2	1360	342,7	1,84	6,27	1,58	216,9	1,23	5,07		
liquid temp	0	32	478,8	1635	412,1	2,07	7,07	1,78	231,4	1,29	6,15		
Tliq= 55/131	7,2	45	622,7	2127	535,9	2,50	8,54	2,15	249,0	1,37	8,11		