

Model

Designation	GS21MLX	187-254V/60Hz 1~	Sales code:	107B0509
-------------	----------------	------------------	-------------	-----------------

Compressor design

Oil type	Polyolester	Refrigerant(s)	R404A, R452A, R507
Oil viscosity	32,5cST	Displacement	21,2cm ³ / 1,29cu.in
Oil quantity	902cm ³ / 30,5fl.oz	Compressors on pallet	48
Refr. charge - tech. limit	2000g / 70,5oz		
Free gas volume comp.	3540cm ³ / 119,7fl.oz		
Weight	22,2kg / 48,9lbs		
Motor protection	1# internal		
Winding resistance main	1,5Ω (at 25°C)		
Winding resistance aux	5,8Ω (at 25°C)		
Max. winding temp.			
Max. discharge temp.	130°C / 266°F		



General - Configurations with GS21MLX

	Conf. 1	Conf. 2
Motorconfiguration	CSCR	CSCR
Power supply (nominal)	208-230V/60Hz	208-230V/60Hz
Number of phases	1	1
Voltage range	187-254V	187-254V
Approvals	UL	UL
Starting torque	HST	HST
Note	Cover, clamp, gasket: pre-assembled to compressor	

Applications with GS21MLX

	Conf. 1	Conf. 2
Refrigerant	R404A	R452A
Application	MBP	MBP
System cooling	fan 3m/s	fan 3m/s
Hot gas defrost	OK	OK
Long interval pull down	OK	OK

Electrical data - Configurations with GS21MLX

	Conf. 1	Conf. 2
Starting device type	relay	relay
Run capacitor	20μF	20μF
Start capacitor	100μF	100μF
LRA (locked rotor amps / 4s)	46A	46A
RLA (rated load amps / 1s)	11A	11A
Cut in current	46A	46A
IP class	21	21

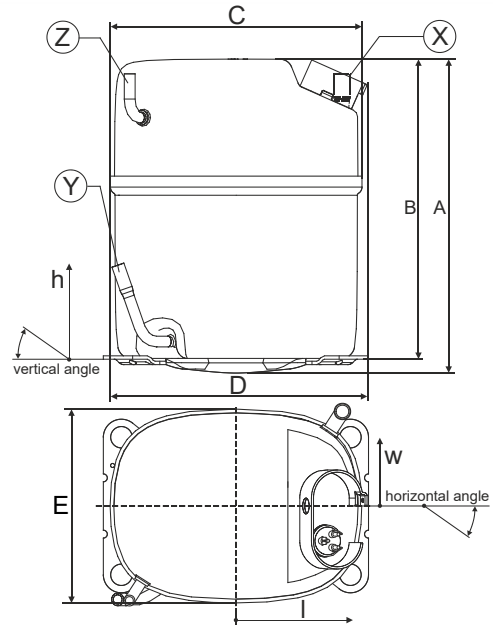
Model

Designation	GS21MLX	187-254V/60Hz 1~	Sales code:	107B0509
-------------	----------------	------------------	-------------	-----------------

Compressor dimensions

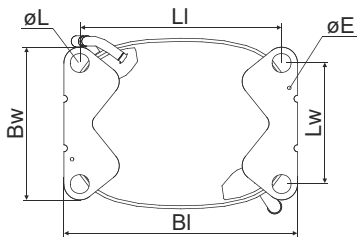
Housing	A Height	279mm / 10,98in
	B Height	267mm / 10,51in
	C Length shell	224mm / 8,82in
	D Length w. cover	232mm / 9,13in
	E Width	173mm / 6,81in

Connectors		Suction	Discharge	Process
		X	Y	Z
Diameter	[mm]	øi 12,75-13,05	øi 6,45-6,55	øi 6,4-6,6
(i:inside, o:outside)	[in]	øi 0,5-0,51	øi 0,25-0,26	øi 0,25-0,26
Material		copper	copper	copper
Horizontal angle	±2°	0°	0°	0°
Vertical angle	±2°	90°	71°	90°
Position l/h/w	[mm]	-95/234/-84	-105/84/-84	95/234/84
	[in]	-3,7/9,2/-3,3	-4,1/3,3/-3,3	3,7/9,2/3,3
Straight tube l.	[mm]	18	19	15
	[in]	0,7	0,7	0,6



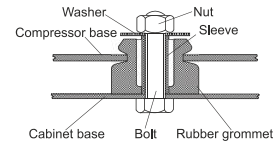
Compressor fixation

Bolt joint



Baseplate	[mm]	[inch]
BI	235	9.25
Bw	154	6.06
øE	ø 3.6	ø 0.14

Large holes	[mm]	[inch]
LI	203	7.99
LW	122	4.80
øL	ø 19	ø 0.75



Mounting accessories

Bolt joint | M8 | ø19mm one comp. 107B9150

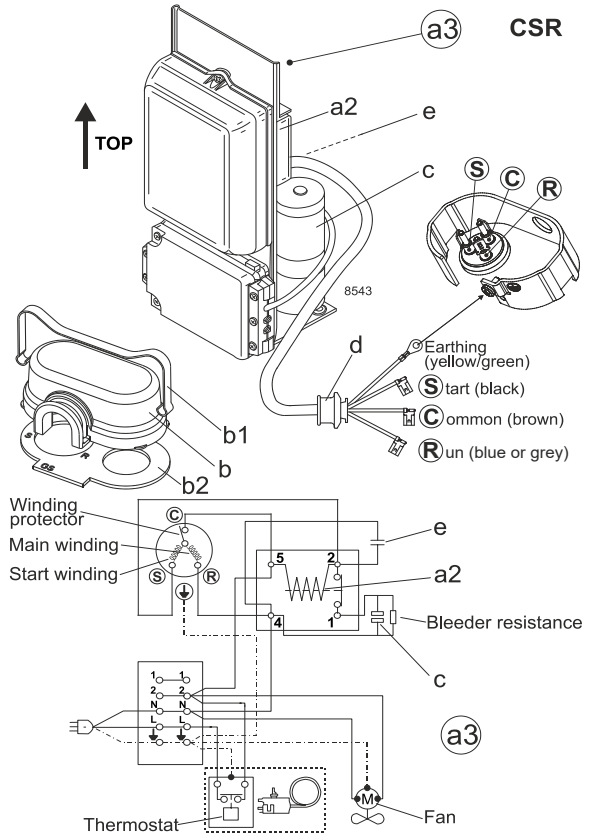
Model

Designation	GS21MLX	208-230V/60Hz	Conf. 1	Sales code:	107B0509
-------------	----------------	----------------------	----------------	-------------	-----------------

Configuration

Motorconfiguration	CSCR
Power supply (nominal)	208-230V/60Hz 1~
Refrigerant	R404A
Application	MBP
Voltage range	187-254V
Starting torque	HST
Approvals	UL

Electrical accessories / wiring diagram

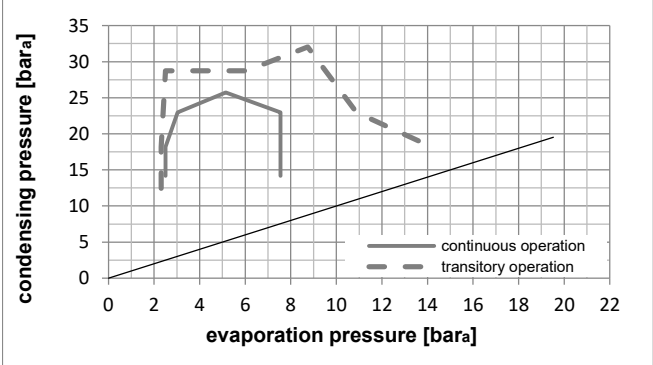
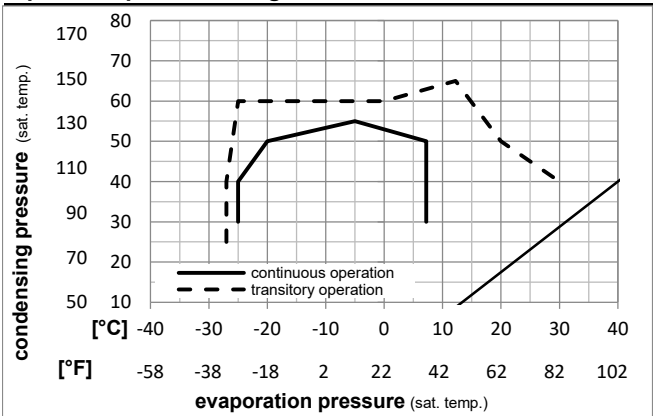


Ambient temperatures / system cooling

Ambient temperature min.:	10°C / 50°F
Ambient temperature max.:	43°C / 110°F

System cooling (n/a: outside limits)			
T ambient	LBP	MBP	HBP
32°C / 90°F	n/a	fan 3m/s	n/a
38°C / 100°F	n/a	fan 3m/s	n/a
43°C / 110°F	n/a	fan 3m/s	n/a

Operation pressure range



Components (cover, clamp, gasket: pre assembled)

a3	GS starter kit (600mm)	117-7073
b	cover	107B9101
b2	gasket	107B9100
b1	clamp	107B9104

Model

Designation **GS21MLX 208-230V/60Hz** Conf. 1 Sales code: **107B0509**

Optimization + standard conditions

230V/60Hz, CSCR, fan 3m/s, UL

Evaporating pressure (saturation temperature)														
Condensing pressure (saturation temperature)														
Return gas temp.														
Liquid temp.														
Cooling capacity														
COP														
EER														
Power consumption														
Current consumption														
Ref. mass flow														
	pe	pc	RGT	Tliq	[W]	[Btu/h]	[kcal/h]	[W/W]	[Btu/Wh]	[kcal/Wh]	P1	I	m	
[°C]	[°C]	[°C]	[°C]	[°C]	[W]	[Btu/h]	[kcal/h]	[W/W]	[Btu/Wh]	[kcal/Wh]	[W]	[A]	[kg/h]	
ASHRAE MBP	-6,66	54,4	35	46,1	2515,2	8590	2164,6	1,86	6,34	1,60	1354,2	6,22	69,21	
	[°F]	[°F]	[°F]	[°F]	[W]	[Btu/h]	[kcal/h]	[W/W]	[Btu/Wh]	[kcal/Wh]	[W]	[A]	[kg/h]	
	20	130	95	115										
cecomaf MBP	-10	55	32	55	1872,8	6396	1611,7	1,47	5,01	1,26	1276,9	5,90	59,95	
	[°F]	[°F]	[°F]	[°F]	[W]	[Btu/h]	[kcal/h]	[W/W]	[Btu/Wh]	[kcal/Wh]	[W]	[A]	[kg/h]	
	14	131	89,6	131										
EN12900 MBP	-10	45	20	45	2268,1	7746	1951,9	1,93	6,57	1,66	1178,2	5,48	68,32	
	[°F]	[°F]	[°F]	[°F]	[W]	[Btu/h]	[kcal/h]	[W/W]	[Btu/Wh]	[kcal/Wh]	[W]	[A]	[kg/h]	
	14	113	68	113										
ARI540 MBP	-6,66	48,9	18,3	48,9	2334,9	7974	2009,5	1,81	6,19	1,56	1287,7	5,95	76,30	
	[°F]	[°F]	[°F]	[°F]	[W]	[Btu/h]	[kcal/h]	[W/W]	[Btu/Wh]	[kcal/Wh]	[W]	[A]	[kg/h]	
	20	120	65	120										
opt	-10	45	32	45	2407,1	8221	2071,6	2,04	6,98	1,76	1178,2	5,48	66,29	
	[°F]	[°F]	[°F]	[°F]	[W]	[Btu/h]	[kcal/h]	[W/W]	[Btu/Wh]	[kcal/Wh]	[W]	[A]	[kg/h]	
	14	113	89,6	113										
opt	-25	45	32	45	1180,9	4033	1016,3	1,36	4,64	1,17	868,7	4,15	31,85	
	[°F]	[°F]	[°F]	[°F]	[W]	[Btu/h]	[kcal/h]	[W/W]	[Btu/Wh]	[kcal/Wh]	[W]	[A]	[kg/h]	
	-13	113	89,6	113										

Performance tables

230V/60Hz, CSCR, fan 3m/s, UL

	pe		Cooling capacity			COP		EER		P1	I	m
	[°C]	[°F]	[W]	[Btu/h]	[kcal/h]	[W/W]	[Btu/Wh]	[kcal/Wh]	[W]	[A]	[kg/h]	
[°C / °F]	-25	-13	1180,9	4033	1016,3	1,36	4,64	1,17	868,7	4,15	31,85	
cond. pressure	-23,3	-10	1293,2	4417	1113,0	1,43	4,88	1,23	904,6	4,31	34,95	
pc= 45/113	-15	5	1938,5	6620	1668,3	1,80	6,14	1,55	1077,8	5,05	52,95	
return gas temp.	-9,4	15	2463,5	8413	2120,1	2,07	7,07	1,78	1189,2	5,52	67,91	
RGT= 32/90	-3,9	25	3081,8	10525	2652,2	2,37	8,10	2,04	1298,8	5,98	85,87	
liquid temp	0	32	3578,0	12219	3079,2	2,60	8,89	2,24	1375,0	6,29	100,59	
Tliq= 45/113	7,2	45	4657,4	15906	4008,2	3,07	10,48	2,64	1517,4	6,84	133,56	
[°C / °F]	-25	-13	899,6	3072	774,2	1,03	3,53	0,89	870,9	4,27	28,12	
cond. pressure	-23,3	-10	991,3	3385	853,1	1,08	3,69	0,93	918,6	4,46	31,05	
pc= 55/131	-15	5	1505,4	5141	1295,6	1,31	4,48	1,13	1147,1	5,37	47,74	
return gas temp	-9,4	15	1916,9	6547	1649,7	1,48	5,07	1,28	1291,0	5,96	61,44	
RGT= 32/90	-3,9	25	2400,8	8199	2066,2	1,68	5,73	1,45	1429,8	6,52	77,92	
liquid temp	0	32	2790,6	9530	2401,6	1,83	6,25	1,58	1524,6	6,90	91,51	
Tliq= 55/131	7,2	45	3645,3	12449	3137,2	2,15	7,34	1,85	1696,9	7,59	122,35	

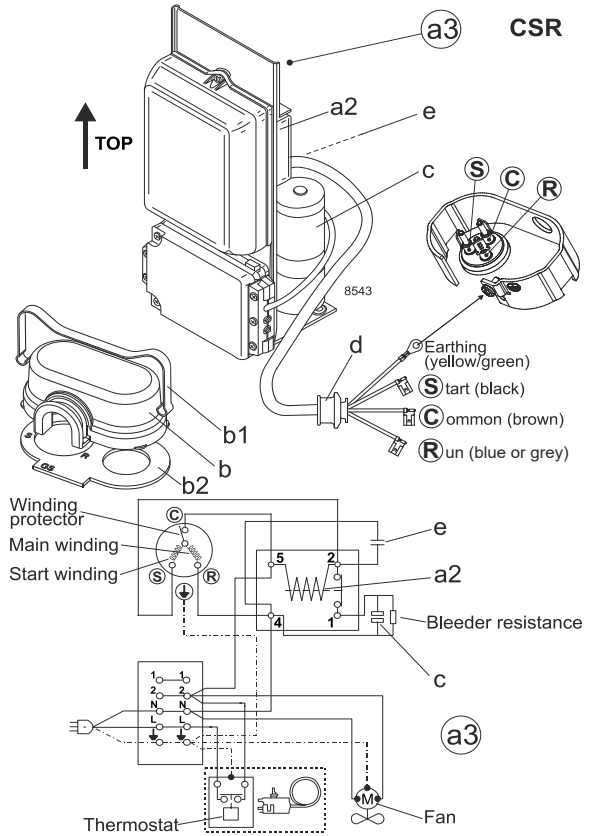
Model

Designation	GS21MLX	208-230V/60Hz	Conf. 2	Sales code:	107B0509
-------------	----------------	----------------------	----------------	-------------	-----------------

Configuration

Motorconfiguration	CSCR
Power supply (nominal)	208-230V/60Hz 1~
Refrigerant	R452A
Application	MBP
Voltage range	187-254V
Starting torque	HST
Approvals	UL

Electrical accessories / wiring diagram

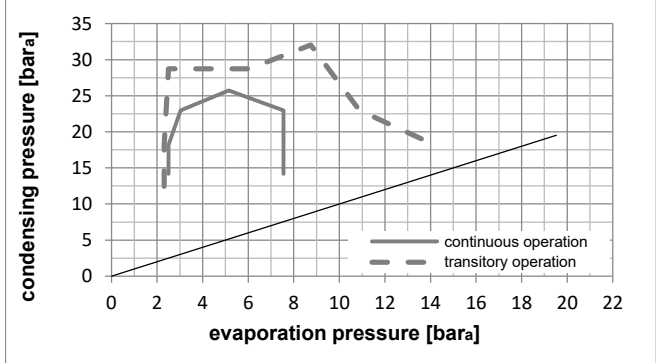
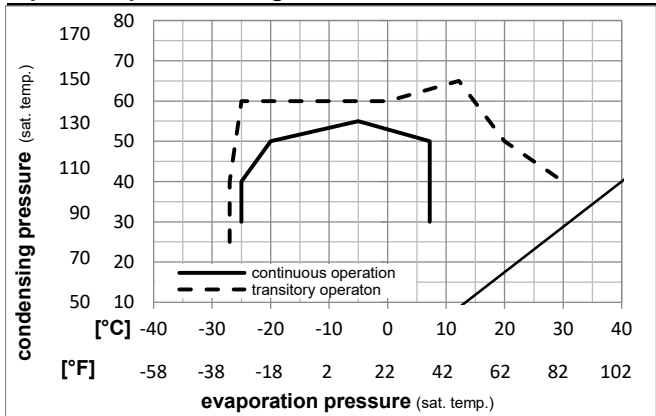


Ambient temperatures / system cooling

Ambient temperature min.:	10°C / 50°F
Ambient temperature max.:	43°C / 110°F

System cooling (n/a: outside limits)			
T ambient	LBP	MBP	HBP
32°C / 90°F	n/a	fan 3m/s	n/a
38°C / 100°F	n/a	fan 3m/s	n/a
43°C / 110°F	n/a	n/a	n/a

Operation pressure range



Components (cover, clamp, gasket: pre assembled)

a3	GS starter kit (600mm)	117-7073
b	cover	107B9101
b2	gasket	107B9100
b1	clamp	107B9104

Model

Designation **GS21MLX 208-230V/60Hz** Conf. **2** Sales code: **107B0509**

Optimization + standard conditions

230V/60Hz, CSCR, fan 3m/s, UL

Evaporating pressure (saturation temperature)														
Condensing pressure (saturation temperature)														
Return gas temp.														
Liquid temp.														
Cooling capacity														
COP														
EER														
Power consumption														
Current consumption														
Ref. mass flow														
	pe	pc	RGT	Tliq	[W]	[Btu/h]	[kcal/h]	[W/W]	[Btu/Wh]	[kcal/Wh]	P1	I	m	
[°C]	[°C]	[°C]	[°C]	[°C]							[W]	[A]	[kg/h]	ASHRAE
[°F]	[°F]	[°F]	[°F]	[°F]										MBP
	-6,66	54,4	35	46,1	2381,7	8134	2049,7	1,86	6,36	1,60	1279,7	5,91	67,00	ASHRAE
	20	130	95	115										MBP
	-10	55	32	55	1776,3	6066	1528,7	1,48	5,05	1,27	1201,3	5,59	57,73	cecomaf
	14	131	89,6	131										MBP
	-10	45	20	45	2142,9	7318	1844,2	1,93	6,59	1,66	1110,8	5,22	65,84	EN12900
	14	113	68	113										MBP
	-6,66	48,9	18,3	48,9	2221,5	7587	1911,9	1,82	6,23	1,57	1218,2	5,66	73,70	ARI540
	20	120	65	120										MBP
	-10	45	32	45	2270,8	7755	1954,2	2,04	6,98	1,76	1110,8	5,22	63,98	opt
	14	113	89,6	113										
	-25	45	32	45	1087,8	3715	936,1	1,35	4,62	1,16	803,8	3,96	30,09	opt
	-13	113	89,6	113										

Performance tables

230V/60Hz, CSCR, fan 3m/s, UL

	pe	Cooling capacity			COP	EER	P1	I	m			
		[°C]	[°F]	[W]						[Btu/h]	[kcal/h]	[W/W]
[°C / °F]	-25	-13		1087,8	3715	936,1	1,35	4,62	1,16	803,8	3,96	30,09
cond. pressure	-23,3	-10		1195,1	4082	1028,6	1,42	4,86	1,23	839,0	4,11	33,11
pc= 45/113	-15	5		1816,2	6203	1563,1	1,80	6,14	1,55	1010,3	4,81	50,81
return gas temp.	-9,4	15		2325,7	7943	2001,5	2,07	7,08	1,78	1121,9	5,27	65,58
RGT= 32/90	-3,9	25		2928,8	10002	2520,6	2,38	8,11	2,04	1233,1	5,72	83,40
liquid temp	0	32		3414,8	11662	2938,8	2,60	8,89	2,24	1311,5	6,04	98,01
Tliq= 45/113	7,2	45		4476,3	15287	3852,3	3,07	10,47	2,64	1460,4	6,65	130,78
[°C / °F]	-25	-13		828,9	2831	713,3	1,03	3,53	0,89	802,1	3,96	26,38
cond. pressure	-23,3	-10		917,2	3132	789,4	1,08	3,69	0,93	848,5	4,15	29,24
pc= 55/131	-15	5		1416,3	4837	1218,9	1,32	4,51	1,14	1072,2	5,06	45,65
return gas temp	-9,4	15		1819,7	6215	1566,0	1,50	5,11	1,29	1215,5	5,65	59,20
RGT= 32/90	-3,9	25		2297,0	7845	1976,8	1,69	5,79	1,46	1355,8	6,23	75,57
liquid temp	0	32		2683,2	9164	2309,2	1,85	6,31	1,59	1453,1	6,62	89,09
Tliq= 55/131	7,2	45		3533,4	12067	3040,9	2,16	7,39	1,86	1633,8	7,37	119,76