

**Model**

Designation	<b>GS26CLX</b>	220-240V/50Hz 1~	Sales code:	<b>107B0526</b>
-------------	----------------	------------------	-------------	-----------------

**Compressor design**

Oil type	Polyolester	Refrigerant(s)	<b>R404A, R507, R452A</b>
Oil viscosity	32,5cST	Displacement	26,3cm <sup>3</sup> / 1,6cu.in
Oil quantity	902cm <sup>3</sup> / 30,5fl.oz	Compressors on pallet	48
Refr. charge - tech. limit	2000g / 70,5oz		
Free gas volume comp.	3220cm <sup>3</sup> / 108,9fl.oz		
Weight	20kg / 44,1lbs		
Motor protection	1# internal		
Winding resistance main	2,9Ω (at 25°C)		
Winding resistance aux	5Ω (at 25°C)		
Max. winding temp.	135°C / 275°F		
Max. discharge temp.	130°C / 266°F		



**General - Configurations with GS26CLX**

	<b>Conf. 1</b>	<b>Conf. 2</b>
Motorconfiguration	CSCR	CSCR
Power supply (nominal)	220-240V/50Hz	220-240V/50Hz
Number of phases	1	1
Voltage range	198-254V	198-254V
Approvals	VDE, EAC,	VDE, EAC
Starting torque	HST	HST
Note	Cover, clamp, gasket: pre-assembled to compressor.	

**Applications with GS26CLX**

	<b>Conf. 1</b>	<b>Conf. 2</b>
Refrigerant	R404A	R452A
Application	LBP	LBP
System cooling	fan 3m/s	fan 3m/s
Hot gas defrost	OK	OK
Long interval pull down	OK	OK

**Electrical data - Configurations with GS26CLX**

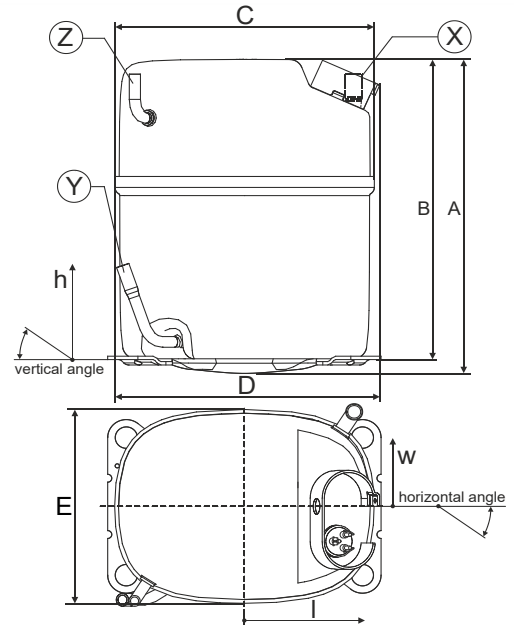
	<b>Conf. 1</b>	<b>Conf. 2</b>
Starting device type	relay	relay
Run capacitor	20μF	20μF
Start capacitor	100μF	100μF
LRA (locked rotor amps / 4s)	26A	26A
RLA (rated load amps / 1s)	4,8A	4,8A
Cut in current	26A	26A
IP class	21	21

**Model**

Designation **GS26CLX** 220-240V/50Hz 1~ Sales code: **107B0526**

**Compressor dimensions**

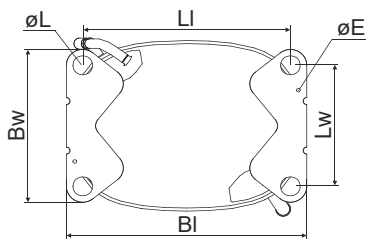
<b>Housing</b>	A Height	259mm / 10,2in
	B Height	247mm / 9,72in
	C Length shell	224mm / 8,82in
	D Length w. cover	232mm / 9,13in
	E Width	173mm / 6,81in



<b>Connectors</b>		<b>Suction</b>	<b>Discharge</b>	<b>Process</b>
		<b>X</b>	<b>Y</b>	<b>Z</b>
Diameter	[mm]	øi 12,75-13,05	øi 8,15-8,25	øi 6,4-6,6
(i:inside, o:outside)	[in]	øi 0,5-0,51	øi 0,32-0,32	øi 0,25-0,26
Material		copper	copper	copper
Horizontal angle	±2°	0°	0°	0°
Vertical angle	±2°	90°	71°	90°
Position l/h/w	[mm]	-95/234/-84	-105/84/-84	95/234/84
	[in]	-3,7/9,2/-3,3	-4,1/3,3/-3,3	3,7/9,2/3,3
Straight tube l.	[mm]	18	23	15
	[in]	0,7	0,9	0,6

**Compressor fixation**

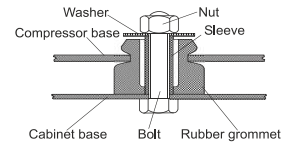
**Bolt joint**



Baseplate	[mm]	[inch]
BI	235	9.25
Bw	154	6.06
øE	ø 3.6	ø 0.14

Large holes	[mm]	[inch]
LI	203	7.99
Lw	122	4.80
øL	ø 19	ø 0.75



**Mounting accessories**

Bolt joint | M8 | ø19mm one comp. 107B9150

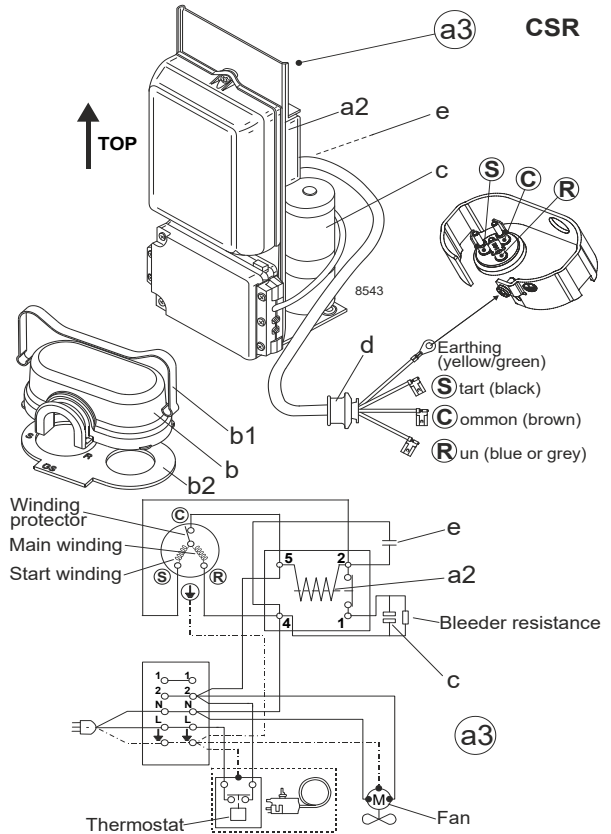
**Model**

Designation **GS26CLX 220-240V/50Hz** Conf. 1 Sales code: **107B0526**

**Configuration**

Motorconfiguration **CSCR**  
 Power supply (nominal) **220-240V/50Hz 1~**  
 Refrigerant **R404A**  
 Application **LBP**  
 Voltage range **198-254V**  
 Starting torque **HST**  
 Approvals **VDE**  
**EAC**  
**0**

**Electrical accessories / wiring diagram**

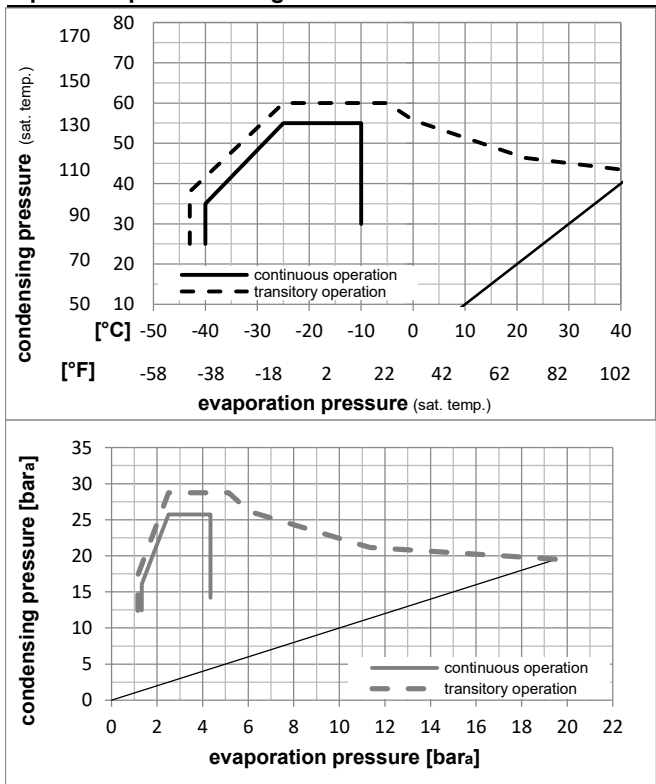


**Ambient temperatures / system cooling**

Ambient temperature min.: **10°C / 50°F**  
 Ambient temperature max.: **38°C / 101°F**

System cooling (n/a: outside limits)			
T ambient	LBP	MBP	HBP
32°C / 90°F	fan 3m/s	n/a	n/a
38°C / 100°F	fan 3m/s	n/a	n/a
43°C / 110°F	n/a	n/a	n/a

**Operation pressure range**



**Components (cover, clamp, gasket: pre assembled)**

- a3 GS starter kit (600mm) 117-7056
- b cover 107B9101
- b2 gasket 107B9100
- b1 clamp 107B9104

**Model**

Designation **GS26CLX 220-240V/50Hz** Conf. 1 Sales code: **107B0526**

**Optimization + standard conditions**

R404A, 220V/50Hz, CSCR, fan 3m/s, VDE, EAC,

Evaporating pressure (saturation temperature)														
Condensing pressure (saturation temperature)														
Return gas temp.														
Liquid temp.														
Cooling capacity														
COP														
EER														
Power consumption														
Current consumption														
Ref. mass flow														
	pe	pc	RGT	Tliq	[W]	[Btu/h]	[kcal/h]	[W/W]	[Btu/Wh]	[kcal/Wh]	P1	I	m	
[°C]	[°C]	[°C]	[°C]	[°C]							[W]	[A]	[kg/h]	
[°F]	-23,3	54,4	32,2	32,2	1319,5	4506	1135,6	1,35	4,60	1,16	978,9	4,16	30,74	ASHRAE LBP
[°F]	-10	130	90	90										
[°C]	-25	55	32	55	887,8	3032	764,0	0,95	3,25	0,82	932,9	4,02	27,75	cecomaf LBP
[°F]	-13	131	89,6	131										
[°C]	-35	40	20	40	703,1	2401	605,1	1,05	3,59	0,90	669,0	3,31	19,11	EN12900 LBP
[°F]	-31	104	68	104										
[°C]	-23,3	48,9	4,44	48,9	993,4	3393	854,9	1,03	3,51	0,88	967,6	4,14	35,17	ARI540 LBP
[°F]	-10	120	40	120										
[°C]	-23,3	40,6	32,2	32,2	1536,0	5246	1321,9	1,65	5,64	1,42	930,5	4,03	35,79	AHAM LBP
[°F]	-10	105	90	90										
[°C]	-35	45	32	45	639,8	2185	550,6	0,95	3,24	0,82	675,1	3,33	17,10	opt
[°F]	-31	113	89,6	113										

**Performance tables**

R404A, 220V/50Hz, CSCR, fan 3m/s, VDE, EAC,

	pe	Cooling capacity			COP	EER	P1	I	m			
		[°C]	[°F]	[W]						[Btu/h]	[kcal/h]	[W/W]
[°C / °F]	-40	-40		438,4	1497	377,3	0,79	2,69	0,68	557,5	3,08	11,68
cond. pressure	-35	-31		639,8	2185	550,6	0,95	3,24	0,82	675,1	3,33	17,10
pc= 45/113	-30	-22		879,4	3003	756,8	1,11	3,79	0,96	792,0	3,63	23,61
return gas temp.	-25	-13		1162,5	3970	1000,4	1,27	4,35	1,10	911,8	3,97	31,36
RGT= 32/90	-20	-4		1494,4	5104	1286,1	1,44	4,92	1,24	1038,3	4,36	40,55
liquid temp	-15	5		1880,9	6424	1618,7	1,60	5,47	1,38	1175,1	4,80	51,38
Tliq= 45/113	-10	14		2327,7	7950	2003,3	1,76	6,00	1,51	1325,9	5,29	64,10
[°C / °F]	-40	-40		282,5	965	243,1	0,54	1,85	0,47	520,2	2,97	8,70
cond. pressure	-35	-31		452,3	1545	389,2	0,69	2,34	0,59	659,6	3,27	13,99
pc= 55/131	-30	-22		652,3	2228	561,3	0,82	2,80	0,71	796,0	3,62	20,27
return gas temp	-25	-13		887,8	3032	764,0	0,95	3,25	0,82	932,9	4,02	27,75
RGT= 32/90	-20	-4		1164,4	3977	1002,1	1,08	3,70	0,93	1074,1	4,46	36,64
liquid temp	-15	5		1487,8	5081	1280,4	1,22	4,15	1,05	1223,2	4,96	47,18
Tliq= 55/131	-10	14		1863,9	6366	1604,1	1,35	4,60	1,16	1383,9	5,50	59,67

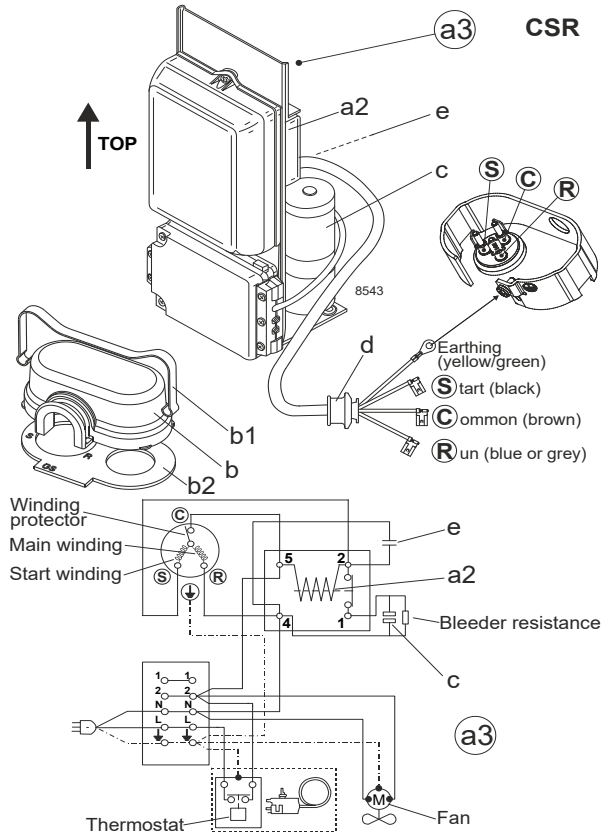
**Model**

Designation **GS26CLX 220-240V/50Hz** Conf. 2 Sales code: **107B0526**

**Configuration**

Motorconfiguration **CSCR**  
 Power supply (nominal) **220-240V/50Hz 1~**  
 Refrigerant **R452A**  
 Application **LBP**  
 Voltage range **198-254V**  
 Starting torque **HST**  
 Approvals **VDE**  
**EAC**

**Electrical accessories / wiring diagram**

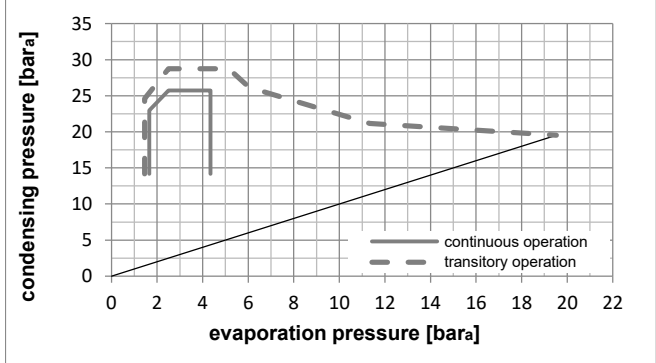
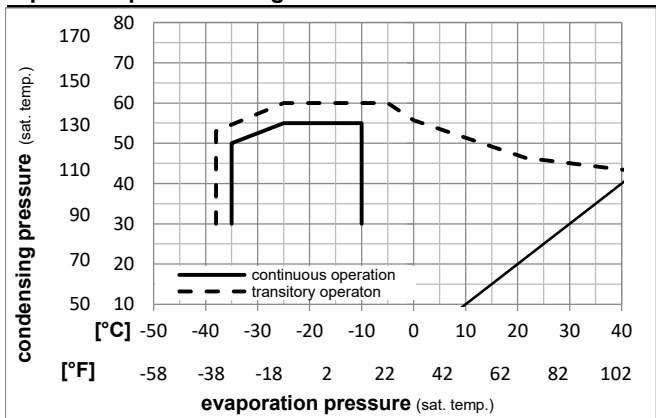


**Ambient temperatures / system cooling**

Ambient temperature min.: **10°C / 50°F**  
 Ambient temperature max.: **38°C / 101°F**

System cooling (n/a: outside limits)			
T ambient	LBP	MBP	HBP
32°C / 90°F	fan 3m/s	n/a	n/a
38°C / 100°F	fan 3m/s	n/a	n/a
43°C / 110°F	n/a	n/a	n/a

**Operation pressure range**



**Components (cover, clamp, gasket: pre assembled)**

- a3 GS starter kit (600mm) 117-7056
- b cover 107B9101
- b2 gasket 107B9100
- b1 clamp 107B9104

**Model**

Designation **GS26CLX 220-240V/50Hz** Conf. 2 Sales code: **107B0526**

**Optimization + standard conditions**

R452A, 220V/50Hz, CSCR, fan 3m/s, VDE, EAC

Evaporating pressure (saturation temperature)					Condensing pressure (saturation temperature)						Power consumption				
					Return gas temp.			Liquid temp.			Current consumption			Ref. mass flow	
					Cooling capacity			COP	EER	P1			I	m	
pe	pc	RGT	Tliq		[W]	[Btu/h]	[kcal/h]	[W/W]	[Btu/Wh]	[kcal/Wh]	[W]	[A]	[kg/h]		
[°C]	-23	54,4	32,2	32,2	1207,7	4124	1039,3	1,34	4,57	1,15	902,6	3,97	29,03	ASHRAE LBP	
[°F]	-10	130	90	90											
[°C]	-25	55	32	55	818,1	2794	704,0	0,95	3,26	0,82	858,0	3,83	26,03	cecomaf LBP	
[°F]	-13	131	89,6	131											
[°C]	-35	40	20	40	637,6	2177	548,7	1,05	3,57	0,90	610,0	3,06	17,80	EN12900 LBP	
[°F]	-31	104	68	104											
[°C]	-23	48,9	4,44	48,9	922,3	3150	793,8	1,03	3,52	0,89	895,5	3,95	33,15	ARI540 LBP	
[°F]	-10	120	40	120											
[°C]	-23	40,6	32,2	32,2	1410,0	4815	1213,4	1,63	5,56	1,40	865,3	3,85	33,89	AHAM LBP	
[°F]	-10	105	90	90											
[°C]	-35	45	32	45	573,9	1960	493,9	0,93	3,19	0,80	614,6	3,08	15,75	opt	
[°F]	-31	113	89,6	113											

**Performance tables**

R452A, 220V/50Hz, CSCR, fan 3m/s, VDE, EAC

	pe	Cooling capacity			COP	EER	P1	I	m		
	[°C]	[°F]	[W]	[Btu/h]	[kcal/h]	[W/W]	[Btu/Wh]	[kcal/Wh]	[W]	[A]	[kg/h]
[°C / °F]	-35	-31	573,9	1960	493,9	0,93	3,19	0,80	614,6	3,08	15,75
cond. pressure	-30	-22	796,3	2720	685,3	1,09	3,73	0,94	728,7	3,43	21,93
pc= 45/113	-25	-13	1067,8	3647	919,0	1,26	4,32	1,09	844,3	3,79	29,54
return gas temp.	-23	-10	1171,9	4002	1008,5	1,32	4,52	1,14	884,6	3,91	32,47
RGT= 32/90	-20	-4	1391,5	4752	1197,6	1,44	4,92	1,24	965,4	4,16	38,69
liquid temp	-15	5	1770,6	6047	1523,8	1,61	5,52	1,39	1096,4	4,57	49,53
Tliq= 45/113	-10	14	2208,4	7542	1900,6	1,78	6,08	1,53	1241,5	5,02	62,22
[°C / °F]	-35	-31	397,2	1356	341,8	0,67	2,28	0,57	595,2	3,02	12,53
cond. pressure	-30	-22	588,6	2010	506,5	0,81	2,77	0,70	726,4	3,42	18,64
pc= 55/131	-25	-13	818,1	2794	704,0	0,95	3,26	0,82	858,0	3,83	26,03
return gas temp	-23	-10	905,3	3092	779,1	1,00	3,42	0,86	903,5	3,97	28,86
RGT= 32/90	-20	-4	1088,7	3718	937,0	1,10	3,74	0,94	994,1	4,25	34,85
liquid temp	-15	5	1403,8	4794	1208,1	1,23	4,21	1,06	1139,1	4,70	45,25
Tliq= 55/131	-10	14	1766,8	6034	1520,6	1,36	4,65	1,17	1297,1	5,19	57,43