

## HXK80AA KAPPA LBP Compressor Superior Efficiency R600a 220-240V 50Hz

### General

Code number	CDO00096
Approvals	EN 60335-2-34 w. Annex AA
Compressors on pallet	100

### Application

Application	LBP		
Frequency	Hz	50	60
Evaporating temperature	°C	-35 to -5	-
Voltage range	V	187 to 264	-
Max. condensing temperature continuous (short)	°C	60 (70)	-
Max. winding temperature continuous (short)	°C	130 (130)	-

### Cooling requirements

Frequency	Hz	50			60		
Application		LBP	MBP	HBP	LBP	MBP	HBP
32°C		S	-	-	-	-	-
38°C		S	-	-	-	-	-
43°C		S	-	-	-	-	-
Remarks on application:							

### Motor

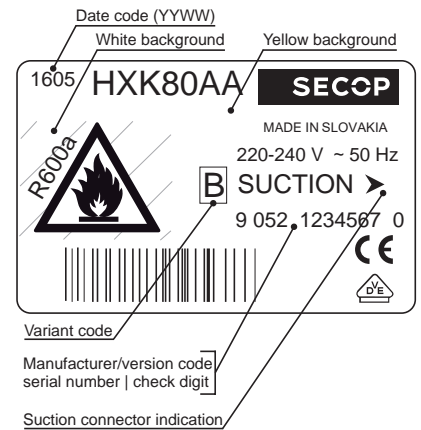
Motor type	RSCR		
LRA (rated after 4 sec. UL984), HST   LST	A	-	3.2
Cut in Current, HST   LST	A	-	10.4
Resistance, main   start winding (25°C)	Ω	28.8	19.7

### Design

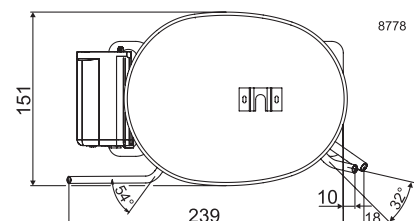
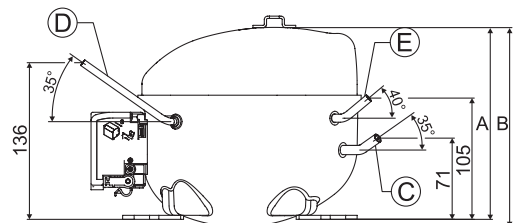
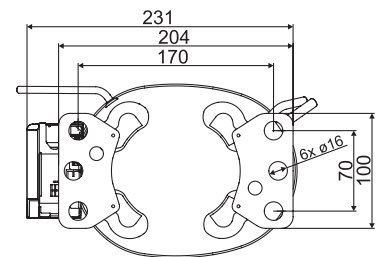
Displacement	cm <sup>3</sup>	8.1
Oil quantity (type)	cm <sup>3</sup>	165 (mineral)
Maximum refrigerant charge	g	150
Free gas volume in compressor	cm <sup>3</sup>	1620
Weight without electrical equipment	kg	9.00

### Dimensions

Height	mm	A	167.0
		B	173.5
Suction connector	location/I.D. mm   angle	C	6.15   35°
	material   comment		Copper   Rubber plug
Process connector	location/O.D. mm   angle	D	6.00   35°
	material   comment		Copper   Rubber plug
Discharge connector	location/I.D. mm   angle	E	5.15   40°
	material   comment		Copper   Rubber plug
Oil cooler connector	location/I.D. mm   angle	F	-
	material   comment		-
Connector tolerance	I.D. mm		±0.05
Remarks:			



- S = Static cooling normally sufficient
- O = Oil cooling
- F<sub>1</sub> = Fan cooling 1.5 m/s  
(compressor compartment temperature equal to ambient temperature)
- F<sub>2</sub> = Fan cooling 3.0 m/s necessary
- SG = Suction gas cooling normally sufficient
- = not applicable in this area



**EN 12900 Household**

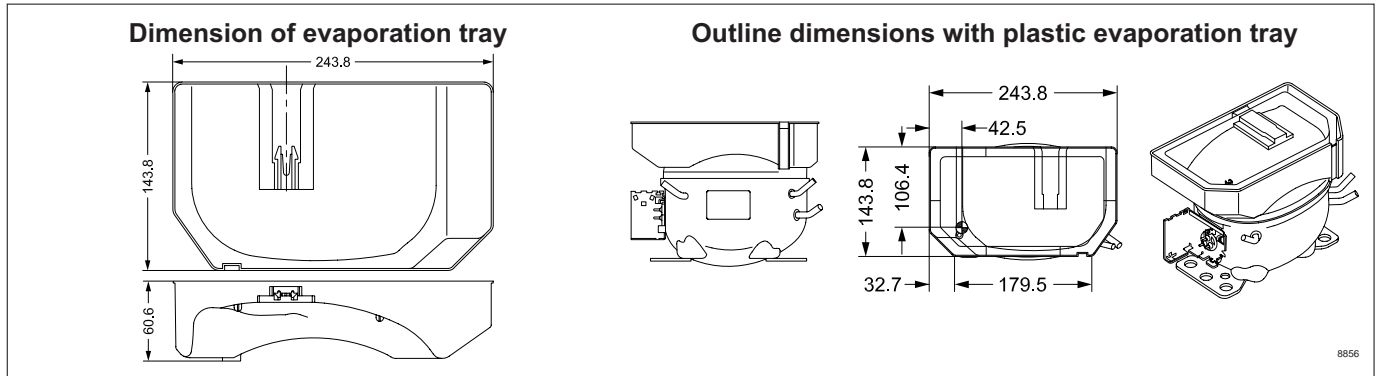
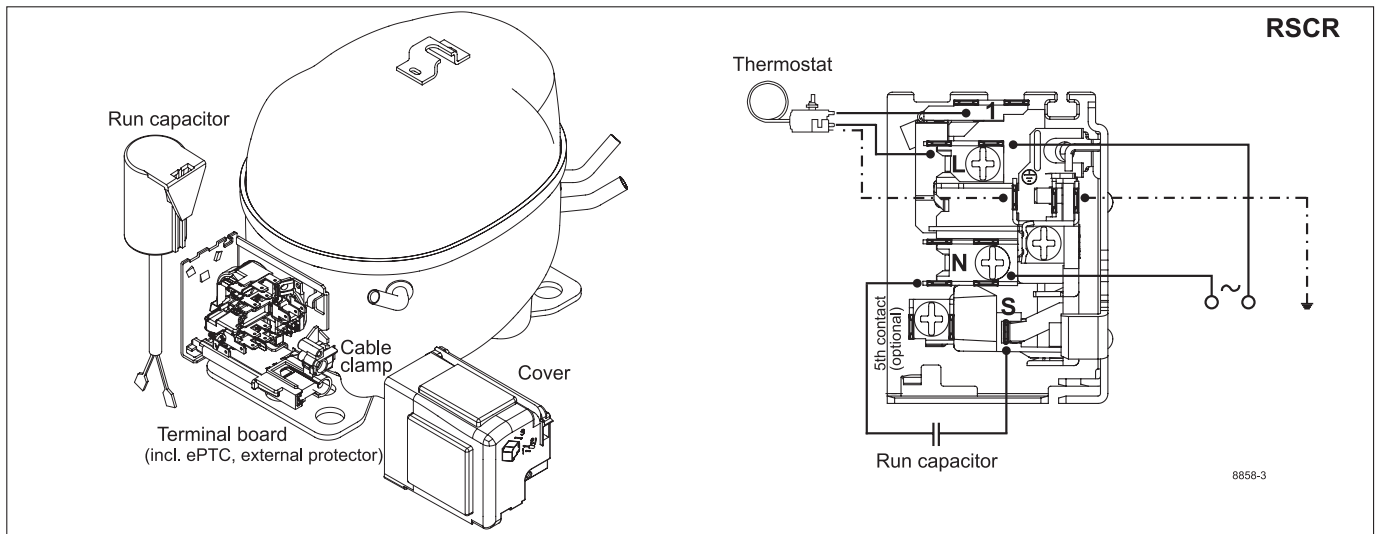
220V, 50Hz, RC 3µF, ePTC consumption incl., static cooling (alternative use of PTC +2W)

Evap. temp. in °C	-45	-40	-35	-30	-25	-23.3	-20	-15	-10	-6.7	-5	0	5	7.2	10	15	20
Capacity in W			57.8	78.9	105	115	136	172	213	243	259						
Power cons. in W			51.5	60.4	70.4	74.0	81.3	92.8	105	113	117						
Current cons. in A			0.28	0.31	0.34	0.35	0.38	0.42	0.46	0.50	0.52						
COP in W/W			1.12	1.31	1.49	1.55	1.67	1.86	2.04	2.16	2.23						

**ASHRAE LBP**

220V, 50Hz, RC 3µF, ePTC consumption incl., static cooling (alternative use of PTC +2W)

Evap. temp. in °C	-45	-40	-35	-30	-25	-23.3	-20	-15	-10	-6.7	-5	0	5	7.2	10	15	20
Capacity in W			70.6	96.3	128	140	166	210	260	296	316						
Power cons. in W			51.4	60.3	70.2	73.8	80.9	92.3	104	112	116						
Current cons. in A			0.28	0.31	0.34	0.35	0.38	0.41	0.46	0.50	0.52						
COP in W/W			1.37	1.60	1.82	1.90	2.05	2.27	2.50	2.65	2.73						



Accessories for	HXK80AA	Code number
Run capacitor (compulsory)	4.8 mm or 6.3 mm spade connectors	3 µF
Terminal board (incl. ePTC and external protector)	4.8 mm spade connectors	ZX F4
Terminal board (incl. PTC and external protector)	6.3 mm spade connectors	DA F4
	4.8 mm spade connectors	ZA F4
Motor Protector	AE 24 FW x	F4
Evaporation tray (optional)		16299100
<b>All-in-one equipment, e.g. 4ZN</b>		<b>Code number</b>
Cover / cable clamp + screws / earthing screw		16168000

Test conditions	EN 12900 Household	ASHRAE LBP
Condensing temperature	55°C	54.4°C
Ambient temperature	32°C	32.2°C
Suction gas temperature	32°C	32.2°C
Liquid temperature	no subcooling	32.2°C

Mounting accessories	Code number
on request, various options available	

Secop accepts no responsibility for possible errors in catalogs, brochures, and other printed material. Secop reserves the right to alter its products without notice. This also applies to products already on order provided that such alterations can be made without subsequential changes being necessary to specifications already agreed. All trademarks in this material are the property of the respective companies. Secop and the Secop logotype are trademarks of Secop GmbH. All rights reserved. [www.secop.com](http://www.secop.com)