

HXK87AT KAPPA Tropical Compressor Superior Efficiency R600a 200-240V 50Hz, 208-230V 60Hz

General

| | |
|-----------------------|---------------------------|
| Code number | CDO00136 |
| Approvals | EN 60335-2-34 w. Annex AA |
| Compressors on pallet | 100 |

Application

| Application | LBP | | |
|--|-----|------------|------------|
| Frequency | Hz | 50 | 60 |
| Evaporating temperature | °C | -35 to -10 | -35 to -10 |
| Voltage range | V | 170 to 264 | 198 to 253 |
| Max. condensing temperature continuous (short) | °C | 65 (70) | 65 (70) |
| Max. winding temperature continuous (short) | °C | 120 (130) | 120 (130) |

Cooling requirements

| Frequency | Hz | 50 | | | 60 | | |
|-------------------------|----|-----|-----|-----|-----|-----|-----|
| Application | | LBP | MBP | HBP | LBP | MBP | HBP |
| 32°C | | S | - | - | S | - | - |
| 38°C | | S | - | - | S | - | - |
| 43°C | | S | - | - | S | - | - |
| Remarks on application: | | | | | | | |

Motor

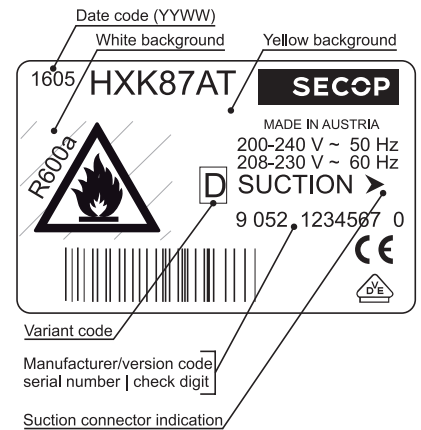
| Motor type | RSCR/RSIR | | |
|---|-----------|------|------|
| LRA (rated after 4 sec. UL984), HST LST | A | - | 6.6 |
| Cut in Current, HST LST | A | - | 12.8 |
| Resistance, main start winding (25°C) | Ω | 19.6 | 11.5 |

Design

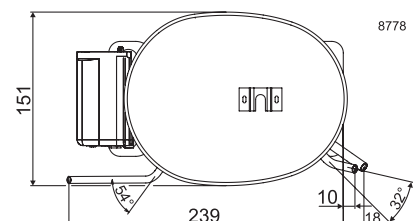
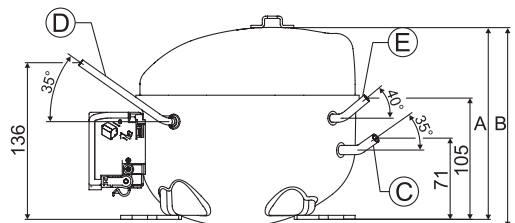
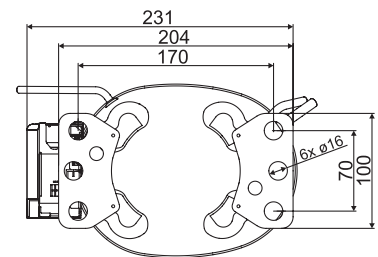
| | | |
|-------------------------------------|-----------------|---------------|
| Displacement | cm ³ | 8.80 |
| Oil quantity (type) | cm ³ | 165 (mineral) |
| Maximum refrigerant charge | g | 150 |
| Free gas volume in compressor | cm ³ | 1620 |
| Weight without electrical equipment | kg | 8.60 |

Dimensions

| | | | |
|----------------------|--------------------------|-------------------------------|------------|
| Height | mm | A | 167.0 |
| | | B | 173.5 |
| Suction connector | location/I.D. mm angle | C | 6.15 35° |
| | material comment | Cu-plated steel Rubber plug | |
| Process connector | location/O.D. mm angle | D | 6.00 35° |
| | material comment | Copper Rubber plug | |
| Discharge connector | location/I.D. mm angle | E | 5.15 40° |
| | material comment | Cu-plated steel Rubber plug | |
| Oil cooler connector | location/I.D. mm angle | F | - |
| | material comment | - | |
| Connector tolerance | I.D. mm | | ±0.05 |
| Remarks: | | | |



- S = Static cooling normally sufficient
- O = Oil cooling
- F₁ = Fan cooling 1.5 m/s (compressor compartment temperature equal to ambient temperature)
- F₂ = Fan cooling 3.0 m/s necessary
- SG = Suction gas cooling normally sufficient
- = not applicable in this area



EN 12900 Household

200V, 50Hz, PTC consumption incl., static cooling

| Evap. temp. in °C | -45 | -40 | -35 | -30 | -25 | -23.3 | -20 | -15 | -10 | -6.7 | -5 | 0 | 5 | 7.2 | 10 | 15 | 20 |
|--------------------|-----|-----|------|------|------|-------|------|------|------|------|----|---|---|-----|----|----|----|
| Capacity in W | | | 72.2 | 90.1 | 116 | 126 | 149 | 188 | 233 | | | | | | | | |
| Power cons. in W | | | 70.4 | 78.7 | 88.7 | 92.5 | 100 | 112 | 125 | | | | | | | | |
| Current cons. in A | | | 0.26 | 0.37 | 0.45 | 0.48 | 0.52 | 0.57 | 0.62 | | | | | | | | |
| COP in W/W | | | 1.03 | 1.15 | 1.31 | 1.37 | 1.49 | 1.68 | 1.87 | | | | | | | | |

EN 12900 Household

200V, 50Hz, RC 4 µF, PTC consumption incl., static cooling

| Evap. temp. in °C | -45 | -40 | -35 | -30 | -25 | -23.3 | -20 | -15 | -10 | -6.7 | -5 | 0 | 5 | 7.2 | 10 | 15 | 20 |
|--------------------|-----|-----|------|------|------|-------|------|------|------|------|----|---|---|-----|----|----|----|
| Capacity in W | | | 72.2 | 90.1 | 116 | 126 | 149 | 188 | 233 | | | | | | | | |
| Power cons. in W | | | 67.2 | 75.1 | 84.7 | 88.3 | 95.6 | 107 | 119 | | | | | | | | |
| Current cons. in A | | | 0.25 | 0.36 | 0.43 | 0.46 | 0.49 | 0.55 | 0.59 | | | | | | | | |
| COP in W/W | | | 1.07 | 1.20 | 1.37 | 1.43 | 1.56 | 1.76 | 1.96 | | | | | | | | |

ASHRAE LBP

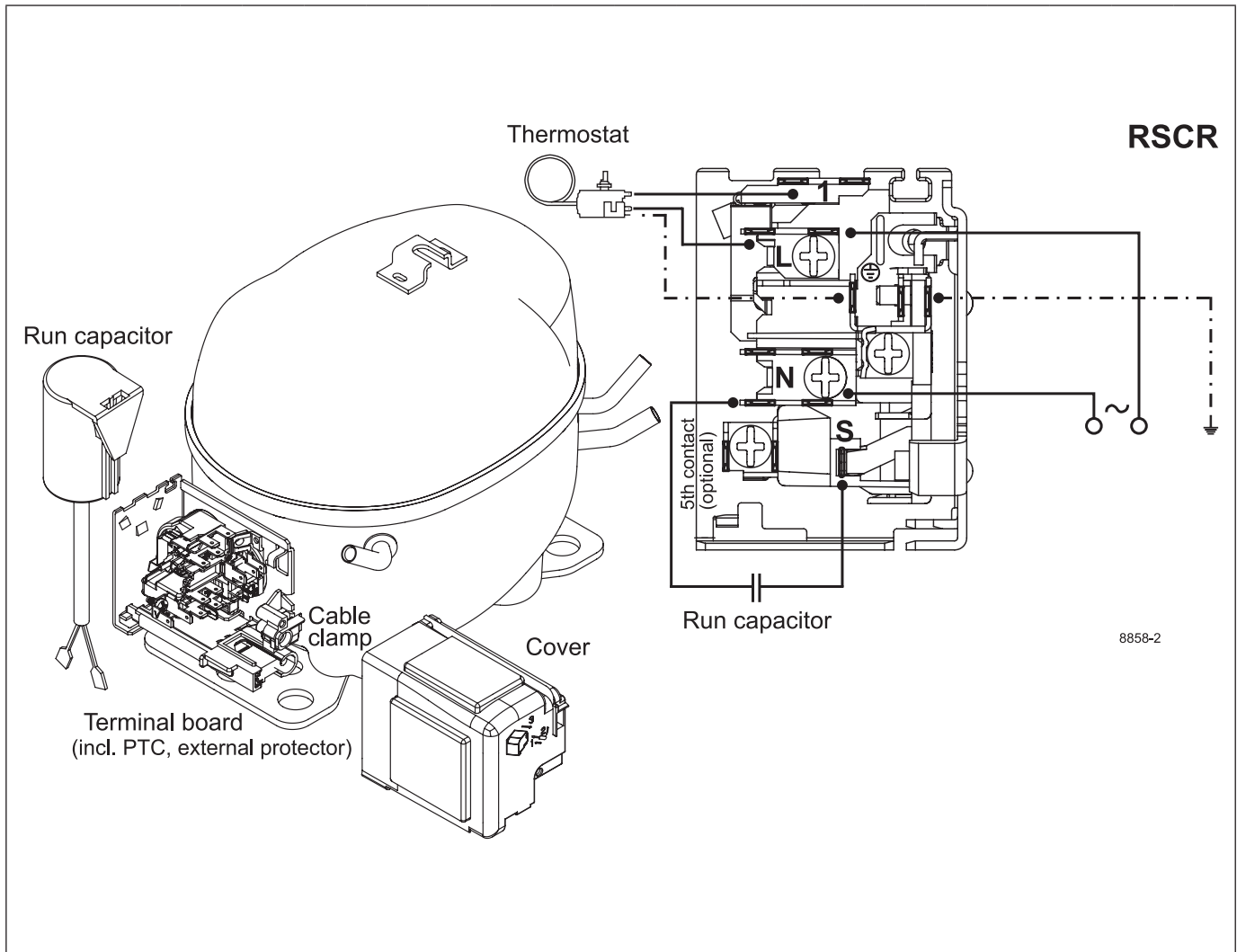
200V, 50Hz, PTC consumption incl., static cooling

| Evap. temp. in °C | -45 | -40 | -35 | -30 | -25 | -23.3 | -20 | -15 | -10 | -6.7 | -5 | 0 | 5 | 7.2 | 10 | 15 | 20 |
|--------------------|-----|-----|------|------|------|-------|------|------|------|------|----|---|---|-----|----|----|----|
| Capacity in W | | | 88.6 | 110 | 141 | 154 | 181 | 229 | 284 | | | | | | | | |
| Power cons. in W | | | 70.4 | 78.6 | 88.5 | 92.2 | 99.7 | 112 | 124 | | | | | | | | |
| Current cons. in A | | | 0.27 | 0.37 | 0.45 | 0.48 | 0.52 | 0.57 | 0.62 | | | | | | | | |
| COP in W/W | | | 1.26 | 1.40 | 1.60 | 1.67 | 1.82 | 2.05 | 2.29 | | | | | | | | |

ASHRAE LBP

200V, 50Hz, RC 4 µF, PTC consumption incl., static cooling

| Evap. temp. in °C | -45 | -40 | -35 | -30 | -25 | -23.3 | -20 | -15 | -10 | -6.7 | -5 | 0 | 5 | 7.2 | 10 | 15 | 20 |
|--------------------|-----|-----|------|------|------|-------|------|------|------|------|----|---|---|-----|----|----|----|
| Capacity in W | | | 88.6 | 110 | 141 | 154 | 181 | 229 | 284 | | | | | | | | |
| Power cons. in W | | | 67.3 | 75 | 84.5 | 88 | 95.2 | 107 | 118 | | | | | | | | |
| Current cons. in A | | | 0.25 | 0.36 | 0.43 | 0.45 | 0.49 | 0.54 | 0.59 | | | | | | | | |
| COP in W/W | | | 1.32 | 1.47 | 1.67 | 1.75 | 1.91 | 2.15 | 2.40 | | | | | | | | |



EN 12900 Household

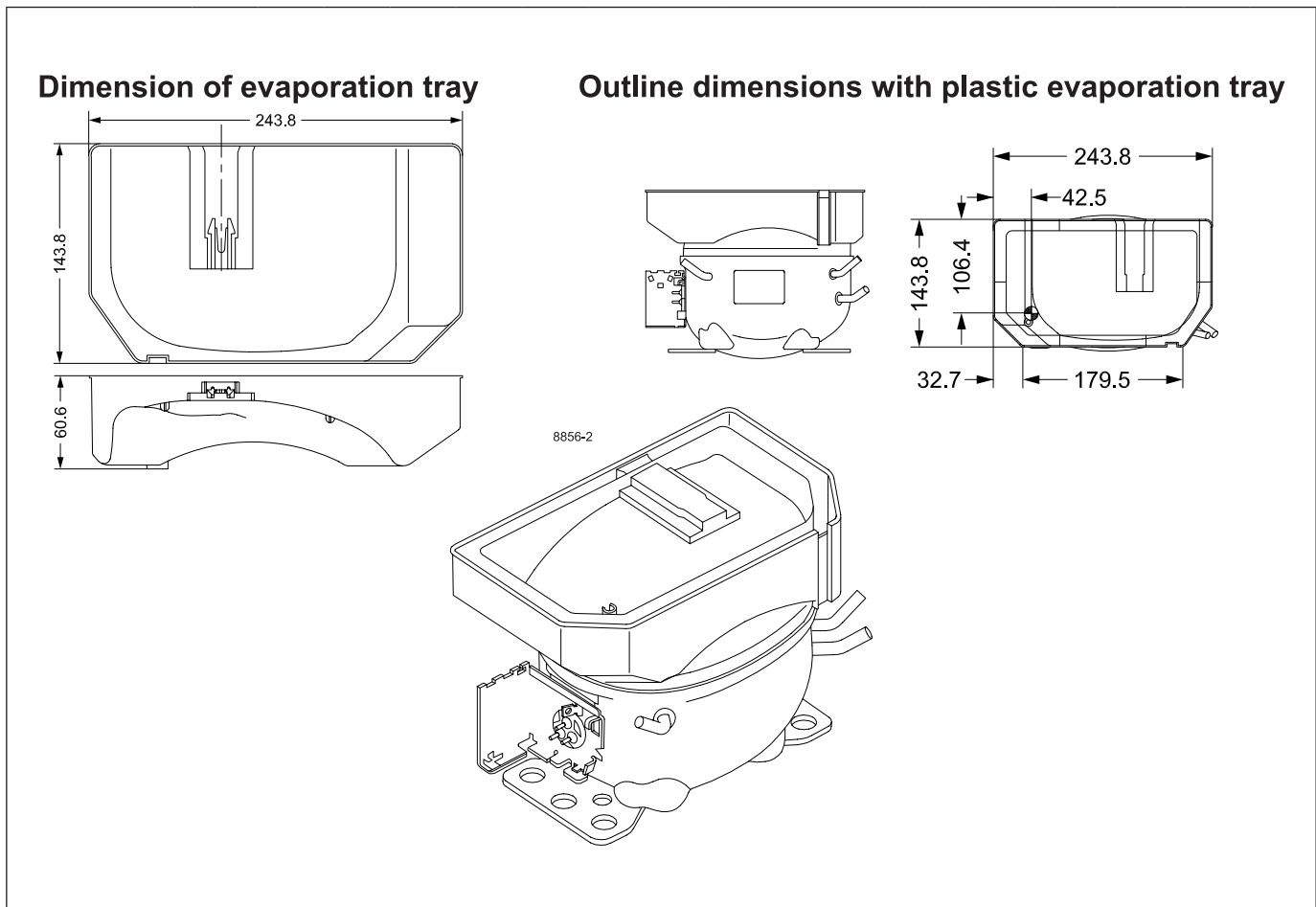
220V, 60Hz, RC 4 µF, PTC consumption incl., static cooling

| | | | | | | | | | | | | | | | | | |
|--------------------|-----|-----|------|------|------|-------|------|------|------|------|----|---|---|-----|----|----|----|
| Evap. temp. in °C | -45 | -40 | -35 | -30 | -25 | -23.3 | -20 | -15 | -10 | -6.7 | -5 | 0 | 5 | 7.2 | 10 | 15 | 20 |
| Capacity in W | | | 87 | 108 | 138 | 151 | 178 | 224 | 278 | | | | | | | | |
| Power cons. in W | | | 79.3 | 88.7 | 100 | 104 | 113 | 126 | 140 | | | | | | | | |
| Current cons. in A | | | 0.30 | 0.42 | 0.51 | 0.54 | 0.58 | 0.64 | 0.70 | | | | | | | | |
| COP in W/W | | | 1.10 | 1.22 | 1.38 | 1.45 | 1.57 | 1.77 | 1.98 | | | | | | | | |

ASHRAE LBP

220V, 60Hz, RC 4 µF, PTC consumption incl., static cooling

| | | | | | | | | | | | | | | | | | |
|--------------------|-----|-----|------|------|------|-------|------|------|------|------|----|---|---|-----|----|----|----|
| Evap. temp. in °C | -45 | -40 | -35 | -30 | -25 | -23.3 | -20 | -15 | -10 | -6.7 | -5 | 0 | 5 | 7.2 | 10 | 15 | 20 |
| Capacity in W | | | 107 | 132 | 169 | 184 | 216 | 274 | 339 | | | | | | | | |
| Power cons. in W | | | 79.4 | 88.6 | 99.7 | 104 | 112 | 126 | 140 | | | | | | | | |
| Current cons. in A | | | 0.30 | 0.42 | 0.51 | 0.54 | 0.58 | 0.64 | 0.70 | | | | | | | | |
| COP in W/W | | | 1.35 | 1.49 | 1.69 | 1.77 | 1.93 | 2.17 | 2.43 | | | | | | | | |



| Accessories for | HXK87AT | Code number | Test conditions | EN 12900 Household | ASHRAE LBP |
|---|-------------------------|--------------------|---------------------------------------|--------------------|------------|
| 50 Hz: run capacitor (optional) | 6.3 mm spade connectors | 4 µF | Condensing temperature | 55°C | 54.4°C |
| 60 Hz: run capacitor (compulsory) | 6.3 mm spade connectors | 4 µF | Ambient temperature | 32°C | 32°C |
| Terminal board | 6.3 mm spade connectors | DCFC | Suction gas temperature | 32°C | 32°C |
| (incl. PTC and external protector) | | | Liquid temperature | no subcooling | 32°C |
| Motor protector | AE 15 BU x | FC | | | |
| Cable clamp (screws not included) | | 11341000 | | | |
| Cover | | 15759500 | | | |
| Evaporation tray (optional) | | 11318802 | | | |
| All-in-one equipment, e.g. 4ZN | | Code number | Mounting accessories | Code number | |
| Cover / cable clamp + screws / earthing screw | | 16168000 | on request, various options available | | |

Secop accepts no responsibility for possible errors in catalogs, brochures, and other printed material. Secop reserves the right to alter its products without notice. This also applies to products already on order provided that such alterations can be made without subsequential changes being necessary to specifications already agreed. All trademarks in this material are the property of the respective companies. Secop and the Secop logotype are trademarks of Secop GmbH. All rights reserved. www.secop.com