

## HZK95AA KAPPA LBP Compressor Superior Efficiency R600a 220-240V 50Hz

### General

Code number	CDO00078
Approvals	EN 60335-2-34 w. Annex AA
Compressors on pallet	100

### Application

Application	LBP		
Frequency	Hz	50	60
Evaporating temperature	°C	-35 to -5	-
Voltage range	V	187 to 264	-
Max. condensing temperature continuous (short)	°C	60 (70)	-
Max. winding temperature continuous (short)	°C	130 (130)	-

### Cooling requirements

Frequency	Hz	50			60		
Application		LBP	MBP	HBP	LBP	MBP	HBP
32°C		S	-	-	-	-	-
38°C		S	-	-	-	-	-
43°C		S	-	-	-	-	-
Remarks on application:							

### Motor

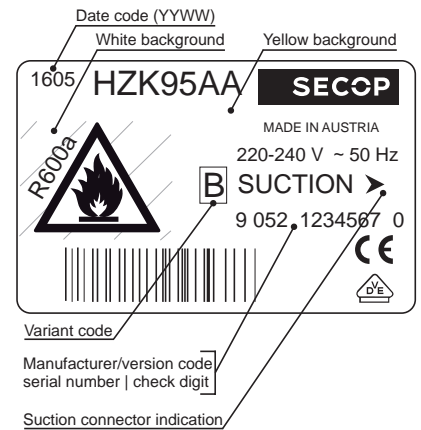
Motor type	RSCR		
LRA (rated after 4 sec. UL984), HST   LST	A	-	3.5
Cut in Current, HST   LST	A	-	12.2
Resistance, main   start winding (25°C)	Ω	18.0	15.4

### Design

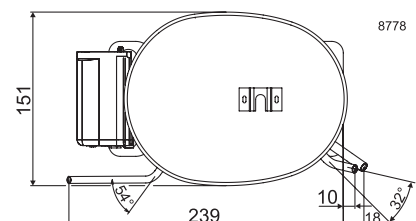
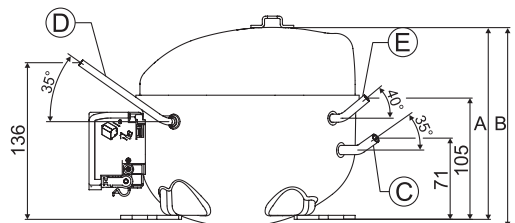
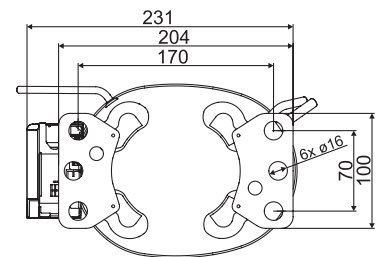
Displacement	cm <sup>3</sup>	9.6
Oil quantity (type)	cm <sup>3</sup>	140 (mineral)
Maximum refrigerant charge	g	150
Free gas volume in compressor	cm <sup>3</sup>	1620
Weight without electrical equipment	kg	9.6

### Dimensions

Height	mm	A	170
		B	176.5
Suction connector	location/I.D. mm   angle	C	6.15   35°
	material   comment	Copper   Rubber plug	
Process connector	location/O.D. mm   angle	D	6.00   35°
	material   comment	Copper   Rubber plug	
Discharge connector	location/I.D. mm   angle	E	5.15   40°
	material   comment	Copper   Rubber plug	
Oil cooler connector	location/I.D. mm   angle	F	-
	material   comment	-	
Connector tolerance	I.D. mm		±0.05
Remarks:			



- S = Static cooling normally sufficient
- O = Oil cooling
- F<sub>1</sub> = Fan cooling 1.5 m/s  
(compressor compartment temperature equal to ambient temperature)
- F<sub>2</sub> = Fan cooling 3.0 m/s necessary
- SG = Suction gas cooling normally sufficient
- = not applicable in this area



**EN 12900 Household**

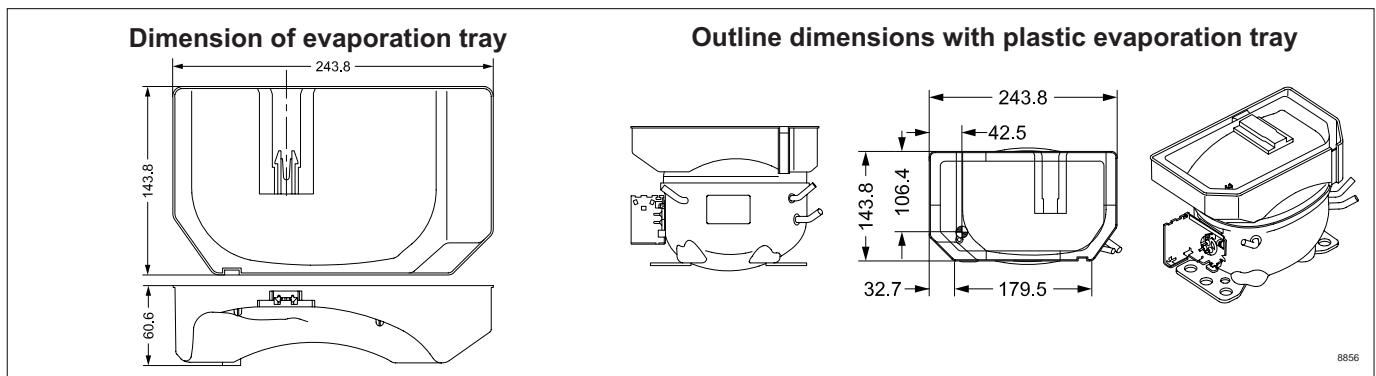
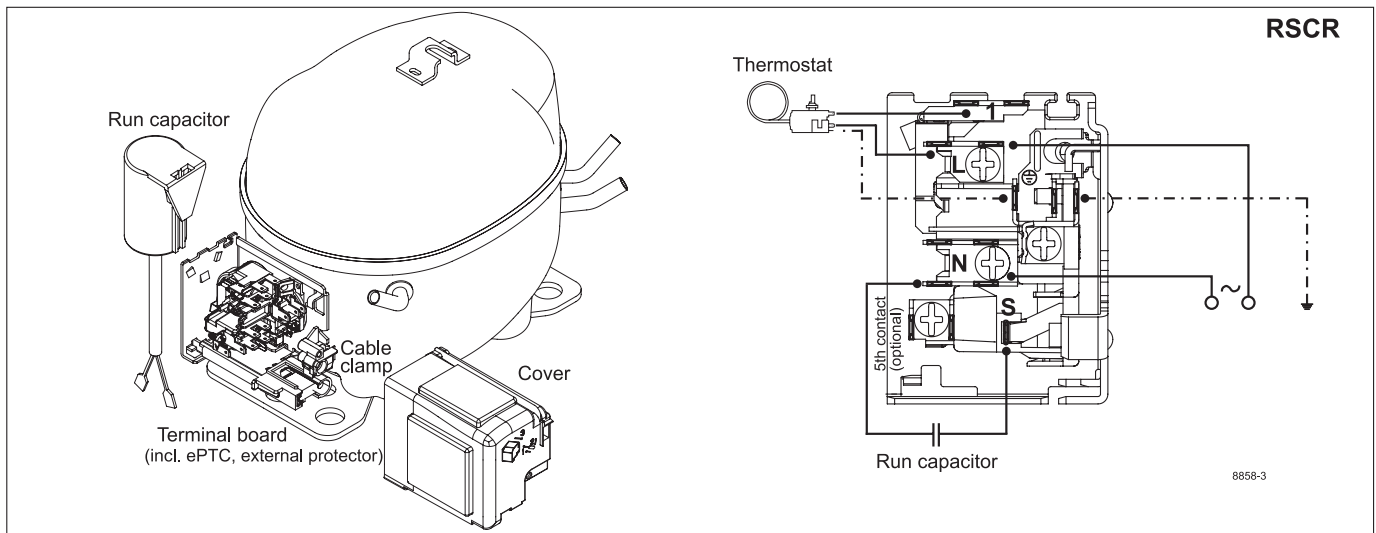
220V, 50Hz, RC 4µF, ePTC consumption incl., static cooling

Evap. temp. in °C	-45	-40	-35	-30	-25	-23.3	-20	-15	-10	-6.7	-5	0	5	7.2	10	15	20
Capacity in W			69.0	96.2	128	141	166	208	256	290	308						
Power cons. in W			57.7	69.9	82.1	86.3	94.3	106	118	126	130						
Current cons. in A				0.31		0.37			0.49								
COP in W/W			1.20	1.38	1.57	1.63	1.76	1.96	2.16	2.30	2.37						

**ASHRAE LBP**

220V, 50Hz, RC 4µF, ePTC consumption incl., static cooling

Evap. temp. in °C	-45	-40	-35	-30	-25	-23.3	-20	-15	-10	-6.7	-5	0	5	7.2	10	15	20
Capacity in W			84.6	117	157	171	202	254	312	353	376						
Power cons. in W			57.7	69.7	81.8	85.9	93.9	106	118	125	129						
Current cons. in A				0.31		0.37			0.49								
COP in W/W			1.47	1.69	1.91	1.99	2.15	2.40	2.65	2.82	2.91						



Accessories for	HZK95AA	Code number	Test conditions	EN 12900 Household	ASHRAE LBP
Run capacitor (compulsory)	4.8 mm or 6.3 mm spade connectors	4 µF	Condensing temperature	55°C	54.4°C
Terminal board (incl. ePTC and external protector)	4.8 mm or 6.3 mm spade connectors	ZX F5	Ambient temperature	32°C	32.2°C
Motor Protector	AE 18 FU 6	F5	Suction gas temperature	32°C	32.2°C
Cable clamp (screws not included)		113410_	Liquid temperature	no subcooling	32.2°C
Cover		157595_			
Evaporation tray (optional)		113188_			
<b>All-in-one equipment, e.g. 4ZN</b>		<b>Code number</b>	<b>Mounting accessories</b>	<b>Code number</b>	
Cover / cable clamp + screws / earthing screw		16168000	on request, various options available		

Secop accepts no responsibility for possible errors in catalogs, brochures, and other printed material. Secop reserves the right to alter its products without notice. This also applies to products already on order provided that such alterations can be made without subsequential changes being necessary to specifications already agreed. All trademarks in this material are the property of the respective companies. Secop and the Secop logotype are trademarks of Secop GmbH. All rights reserved. [www.secop.com](http://www.secop.com)