

**Model**

Designation	<b>NLE11CNL</b>	<b>115-127V/60Hz 1~</b>	Sales code:	<b>105H5986</b>
-------------	-----------------	-------------------------	-------------	-----------------

**Compressor design**

Oil type	Polyolester	Refrigerant(s)	<b>R290</b>
Oil viscosity	32cSt	Displacement	11,15cm <sup>3</sup> / 0,68cu.in
Oil quantity	300cm <sup>3</sup> / 10,1fl.oz	Compressors on pallet	80
Refr. charge - tech. limit	150g / 5,3oz		
Free gas volume comp.	2360cm <sup>3</sup> / 79,8fl.oz		
Weight	12,13kg / 26,7lbs		
Motor protection	1# internal		
Winding resistance main	1,1Ω (at 25°C)		
Winding resistance aux	3,61Ω (at 25°C)		
Max. winding temp.	125°C / 257°F		
Max. discharge temp.	130°C / 266°F		



**General - Configurations with NLE11CNL**

	<b>Conf. 1</b>
Motorconfiguration	RSCR
Power supply (nominal)	115V/60Hz
Number of phases	1
Voltage range	95-135V
Approvals	UL, CCC
Starting torque	LST
Note	Electrical equipment is included and pre-assembled to compressor.

**Applications with NLE11CNL**

	<b>Conf. 1</b>
Refrigerant	R290
Application	LBP
System cooling	fan 3m/s
Hot gas defrost	OK
Long interval pull down	-/-

**Electrical data - Configurations with NLE11CNL**

	<b>Conf. 1</b>
Starting device type	PTC
Run capacitor	23,5μF
Start capacitor	-/-
LRA (locked rotor amps / 4s)	29,91A
RLA (rated load amps / 1s)	5,74A
Cut in current	39,82A
IP class	21

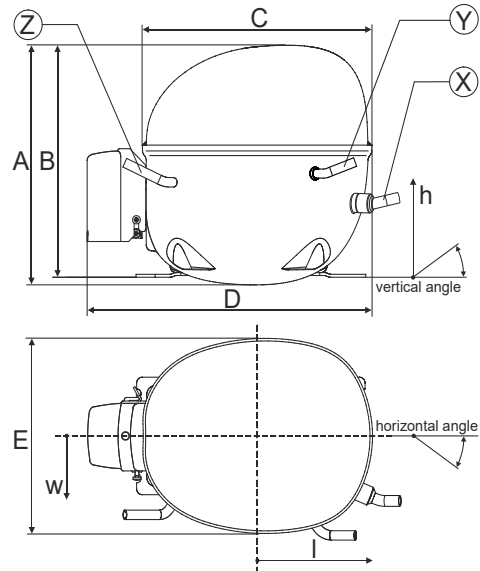
**Model**

Designation	<b>NLE11CNL</b>	<b>115-127V/60Hz 1~</b>	Sales code:	<b>105H5986</b>
-------------	-----------------	-------------------------	-------------	-----------------

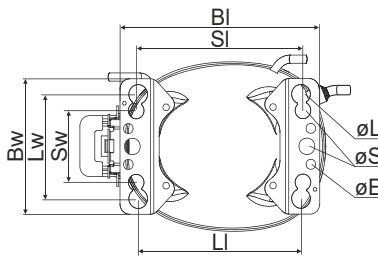
**Compressor dimensions**

<b>Housing</b>	A Height	203mm / 7,99in
	B Height	197mm / 7,76in
	C Length shell	205mm / 8,07in
	D Length w. cover	254mm / 10in
	E Width	166mm / 6,54in

Connectors		Suction	Discharge	Process
		X	Y	Z
Diameter	[mm]	øi 8,11-8,29	øi 6,41-6,59	øi 6,41-6,59
	(i:inside, o:outside) [in]	øi 0,32-0,33	øi 0,25-0,26	øi 0,25-0,26
Material		copper	copper	copper
Horizontal angle	±2°	22°	0°	0°
Vertical angle	±2°	45°	35°	155°
Position l/h/w	[mm]	128/79/61	88/95/85	-112/97/68
	[in]	5/3,1/2,4	3,5/3,7/3,3	-4,4/3,8/2,7
Straight tube l.	[mm]	12	12	12
	[in]	0,5	0,5	0,5

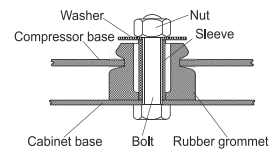


**Compressor fixation**

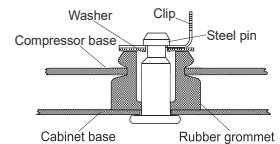


Baseplate	[mm]	[inch]
BI	204	8.03
Bw	132	5.2
øE	ø 9.7	ø 0.38
Large holes	[mm]	[inch]
LJ	165	6.5
Lw	101.6	4
øL	ø 19	ø 0.75
Small holes	[mm]	[inch]
SI	170	6.7
Sw	70	2.76
øS	ø 16	ø 0.63

**Bolt joint**



**Snap-on**



**Mounting accessories**

	one comp.	multi pack
Bolt joint   M6   ø16mm	118-1917	118-1918
Bolt joint   ø1/4"   ø16mm	118-1946	
Bolt joint   ø1/4"   ø19mm	118-1949	
Snap-on   ø7,3   ø16mm	118-1947	118-1919

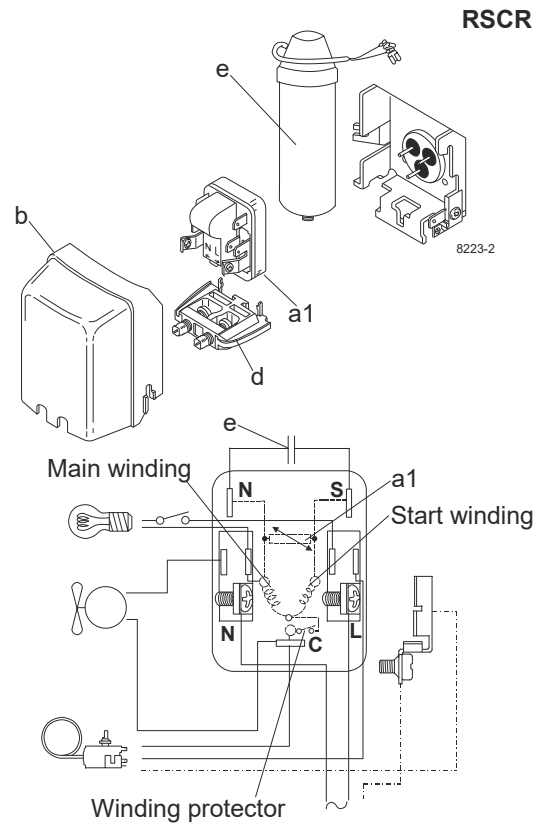
**Model**

Designation	<b>NLE11CNL 115V/60Hz</b>	<b>Conf. 1</b>	Sales code:	<b>105H5986</b>
-------------	---------------------------	----------------	-------------	-----------------

**Configuration**

Motorconfiguration	RSCR
Power supply (nominal)	115V/60Hz 1~
Refrigerant	R290
Application	LBP
Voltage range	95-135V
Starting torque	LST
Approvals	UL SA3693 CCC

**Electrical accessories / wiring diagram**

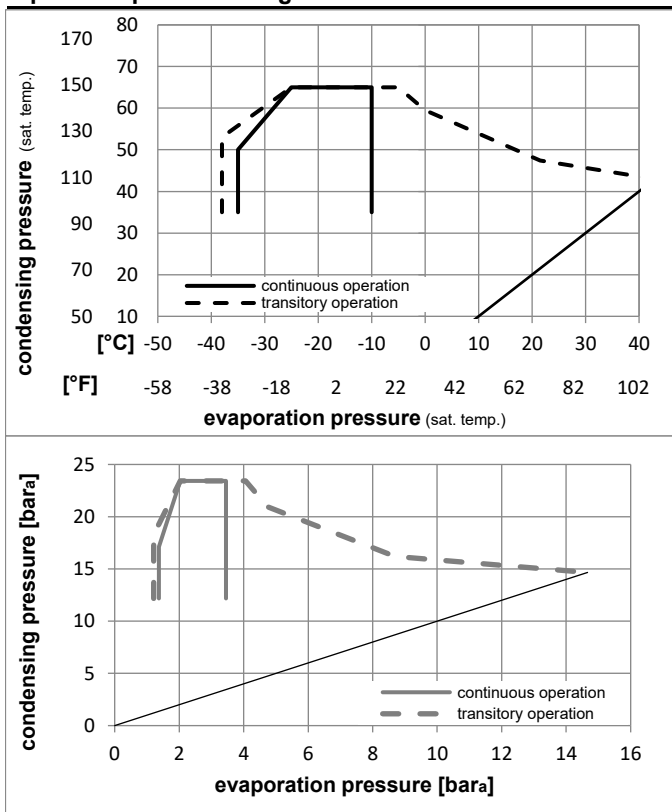


**Ambient temperatures / system cooling**

Ambient temperature min.:	10°C / 50°F
Ambient temperature max.:	43°C / 110°F

System cooling (n/a: outside limits)			
T ambient	LBP	MBP	HBP
32°C / 90°F	fan 3m/s	n/a	n/a
38°C / 100°F	fan 3m/s	n/a	n/a
43°C / 110°F	fan 3m/s	n/a	n/a

**Operation pressure range**



**Components (already pre-assembled)**

a1	e-PTC starter	103N0058
e	run capacitor (23,5μF, 6.3mm)	117-7114
b	plastic cover	103N2011
d	cord relief	103N1010
	bracket for run capacitor	117-0300
	screw M4x8mm	117-0301

**Model**

Designation **NLE11CNL 115V/60Hz** Conf. 1 Sales code: **105H5986**

**Optimization + standard conditions**

115V/60Hz 1~, RSCR, fan 3m/s, UL, CCC

	Evaporating pressure (saturation temperature)				Condensing pressure (saturation temperature)						Power consumption			ASHRAE LBP
	pe	pc	RGT	Tliq	Cooling capacity			COP	EER	P1	I	Ref. mass flow		
	[°C]	[°C]	[°C]	[°C]	[W]	[Btu/h]	[kcal/h]	[W/W]	[Btu/Wh]	[kcal/Wh]	[W]	[A]	[kg/h]	
	-23,3	54,4	32,2	32,2	685,2	2340	589,7	1,77	6,04	1,52	387,2	4,49	6,94	ASHRAE LBP
	[-10]	130	90	90										
	-25	55	32	55	513,2	1753	441,6	1,38	4,70	1,19	372,6	4,38	6,39	cecomaf LBP
	[-13]	131	89,6	131										
	-35	40	20	40	383,9	1311	330,4	1,38	4,70	1,19	278,8	3,78	4,39	EN12900 LBP
	[-31]	104	68	104										
	-23,3	48,9	4,44	48,9	553,2	1889	476,0	1,46	5,00	1,26	377,8	4,42	7,66	ARI540 LBP
	[-10]	120	40	120										
	-23,3	40,6	32,2	32,2	727,3	2484	625,9	2,03	6,92	1,74	359,0	4,31	7,36	AHAM LBP
	[-10]	105	90	90										
	-35	45	32	45	368,5	1258	317,1	1,31	4,49	1,13	280,2	3,79	4,13	opt
	[-31]	113	89,6	113										

**Performance tables**

115V/60Hz 1~, RSCR, fan 3m/s, UL, CCC

	pe	Cooling capacity			COP	EER	P1	I	m		
	[°C]	[°F]	[W]	[Btu/h]	[kcal/h]	[W/W]	[Btu/Wh]	[kcal/Wh]	[W]	[A]	[kg/h]
[°C / °F]	-35	-31	368,5	1258	317,1	1,31	4,49	1,13	280,2	3,79	4,13
cond. pressure	-28,9	-20	494,3	1688	425,4	1,51	5,14	1,30	328,4	4,07	5,56
pc= 45/113	-26,1	-15	563,8	1926	485,3	1,61	5,51	1,39	349,2	4,22	6,35
return gas temp.	-23,3	-10	640,7	2188	551,4	1,73	5,92	1,49	369,7	4,37	7,23
RGT= 32/90	-20,6	-5	724,4	2474	623,5	1,86	6,34	1,60	390,1	4,54	8,20
liquid temp	-15	5	911,6	3113	784,6	2,11	7,22	1,82	431,4	4,87	10,37
Tliq= 45/113	-10	14	1100,8	3759	947,3	2,34	7,99	2,01	470,3	5,17	12,59
[°C / °F]	-35	-31	316,9	1082	272,7	1,15	3,93	0,99	275,6	3,81	3,92
cond. pressure	-28,9	-20	425,7	1454	366,4	1,27	4,33	1,09	336,1	4,13	5,28
pc= 55/131	-26,1	-15	486,8	1663	419,0	1,34	4,59	1,16	362,3	4,31	6,06
return gas temp	-23,3	-10	554,7	1894	477,4	1,43	4,88	1,23	387,9	4,49	6,92
RGT= 32/90	-20,6	-5	629,1	2148	541,4	1,52	5,20	1,31	413,2	4,69	7,86
liquid temp	-15	5	796,0	2719	685,1	1,72	5,86	1,48	463,8	5,11	10,01
Tliq= 55/131	-10	14	965,4	3297	830,8	1,89	6,46	1,63	510,4	5,50	12,21