

Model

Designation	NLE8.0CN	115-127V/60Hz 1~	Sales code:	105H6098
-------------	-----------------	-------------------------	-------------	-----------------

Compressor design

Oil type	Polyolester	Refrigerant(s)	R290
Oil viscosity	32cSt	Displacement	7,96cm ³ / 0,49cu.in
Oil quantity	270cm ³ / 9,1fl.oz	Compressors on pallet	80
Refr. charge - tech. limit	150g / 5,3oz		
Free gas volume comp.	2360cm ³ / 79,8fl.oz		
Weight	10,95kg / 24,1lbs		
Motor protection	1# internal		
Winding resistance main	1,99Ω (at 25°C)		
Winding resistance aux	6,22Ω (at 25°C)		
Max. winding temp.	125°C / 257°F		
Max. discharge temp.	120°C / 248°F		



General - Configurations with NLE8.0CN

	Conf. 1
Motorconfiguration	RSCR
Power supply (nominal)	115V/60Hz
Number of phases	1
Voltage range	95-135V
Approvals	UL
Starting torque	LST
Note	Electrical equipment is included and pre-assembled to compressor.

Applications with NLE8.0CN

	Conf. 1
Refrigerant	R290
Application	LBP+MBP
System cooling	fan 3m/s
Hot gas defrost	OK
Long interval pull down	OK

Electrical data - Configurations with NLE8.0CN

	Conf. 1
Starting device type	PTC
Run capacitor	20μF
Start capacitor	-/-
LRA (locked rotor amps / 4s)	22,7A
RLA (rated load amps / 1s)	3,88A
Cut in current	23,2A
IP class	21

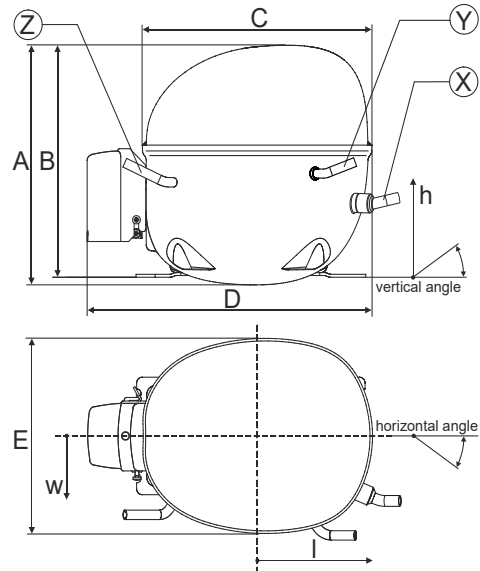
Model

Designation	NLE8.0CN	115-127V/60Hz 1~	Sales code:	105H6098
-------------	-----------------	------------------	-------------	-----------------

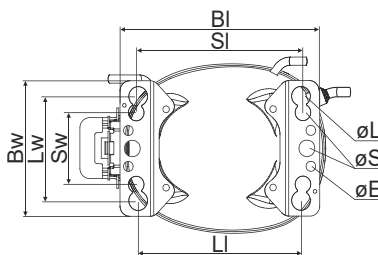
Compressor dimensions

Housing	A Height	203mm / 7,99in
	B Height	197mm / 7,76in
	C Length shell	205mm / 8,07in
	D Length w. cover	254mm / 10in
	E Width	166mm / 6,54in

Connectors		Suction	Discharge	Process
		X	Y	Z
Diameter	[mm]	øi 8,11-8,29	øi 6,41-6,59	øi 6,41-6,59
	(i:inside, o:outside) [in]	øi 0,32-0,33	øi 0,25-0,26	øi 0,25-0,26
Material		copper	copper	copper
Horizontal angle	±2°	22°	0°	0°
Vertical angle	±2°	45°	35°	155°
Position l/h/w	[mm]	128/79/61	88/95/85	-112/97/68
	[in]	5/3,1/2,4	3,5/3,7/3,3	-4,4/3,8/2,7
Straight tube l.	[mm]	12	12	12
	[in]	0,5	0,5	0,5

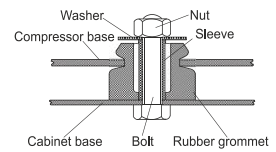


Compressor fixation

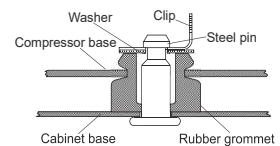


Baseplate	[mm]	[inch]
BI	204	8.03
Bw	132	5.2
øE	ø 9.7	ø 0.38
Large holes		
	[mm]	[inch]
LJ	165	6.5
Lw	101.6	4
øL	ø 19	ø 0.75
Small holes		
	[mm]	[inch]
SI	170	6.7
Sw	70	2.76
øS	ø 16	ø 0.63

Bolt joint



Snap-on



Mounting accessories	one comp.	multi pack
Bolt joint M6 ø16mm	118-1917	118-1918
Bolt joint ø1/4" ø16mm	118-1946	
Bolt joint ø1/4" ø19mm	118-1949	
Snap-on ø7,3 ø16mm	118-1947	118-1919

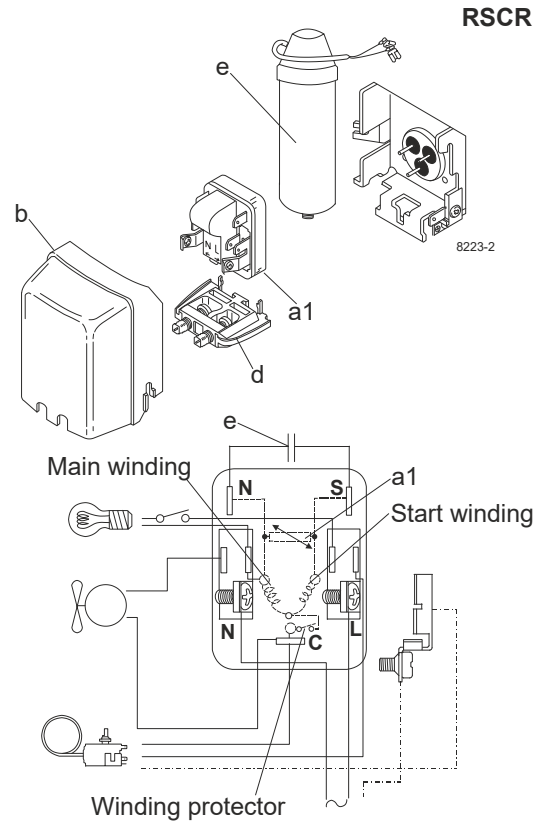
Model

Designation	NLE8.0CN	115V/60Hz	Conf. 1	Sales code:	105H6098
-------------	-----------------	------------------	----------------	-------------	-----------------

Configuration

Motorconfiguration	RSCR	
Power supply (nominal)	115V/60Hz 1~	
Refrigerant	R290	
Application	LBP+MBP	
Voltage range	95-135V	
Starting torque	LST	
Approvals	UL	SA3693

Electrical accessories / wiring diagram

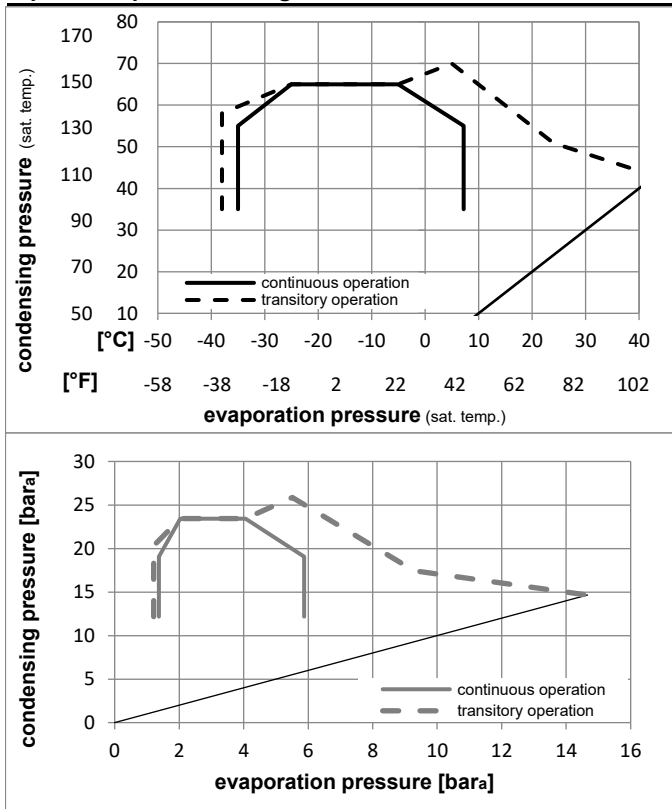


Ambient temperatures / system cooling

Ambient temperature min.:	10°C / 50°F
Ambient temperature max.:	43°C / 110°F

System cooling (n/a: outside limits)			
T ambient	LBP	MBP	HBP
32°C / 90°F	fan 3m/s	fan 3m/s	n/a
38°C / 100°F	fan 3m/s	fan 3m/s	n/a
43°C / 110°F	fan 3m/s	fan 3m/s	n/a

Operation pressure range



Components (already pre-assembled)

a1	e-PTC starter	103N0058
e	run capacitor (20μF, 6.3mm)	117-7147
b	plastic cover	103N2011
d	cord relief	103N1010
	bracket for run capacitor	117-0300
	screw M4x8mm	117-0301

Model

Designation **NLE8.0CN 115V/60Hz** Conf. 1 Sales code: **105H6098**

Optimization + standard conditions

115V/60Hz 1~, RSCR, fan 3m/s, UL

Evaporating pressure (saturation temperature)		Condensing pressure (saturation temperature)				Cooling capacity				COP		EER		Power consumption		ASHRAE LBP
pe		pc		RGT	Tliq		[W]	[Btu/h]	[kcal/h]	[W/W]	[Btu/Wh]	[kcal/Wh]	P1	I	Ref. mass flow	
[°C]	[°F]	[°C]	[°F]	[°C]	[°C]	[°F]	[W]	[Btu/h]	[kcal/h]	[W/W]	[Btu/Wh]	[kcal/Wh]	[W]	[A]	[kg/h]	
-23,3	54,4	32,2	32,2	463,5	1583	398,9	1,70	5,81	1,46	272,5	3,32	4,69				
-10	130	90	90													
-25	55	32	55	346,8	1184	298,5	1,32	4,50	1,13	263,2	3,26	4,32				cecomaf LBP
-13	131	89,6	131													
-35	40	20	40	272,2	929	234,2	1,32	4,52	1,14	205,5	2,97	3,11				EN12900 LBP
-31	104	68	104													
-6,66	54,4	35	46,1	823,4	2812	708,7	2,27	7,74	1,95	363,2	3,98	9,39				ASHRAE MBP
20	130	95	115													
-10	55	32	55	653,8	2233	562,6	1,88	6,42	1,62	347,8	3,86	8,27				cecomaf MBP
14	131	89,6	131													
-10	45	20	45	733,7	2506	631,4	2,29	7,83	1,97	320,1	3,67	9,01				EN12900 MBP
14	113	68	113													

Performance tables

115V/60Hz 1~, RSCR, fan 3m/s, UL

pe	Cooling capacity			COP			EER			P1	I	m
	[°C]	[°F]	[W]	[Btu/h]	[kcal/h]	[W/W]	[Btu/Wh]	[kcal/Wh]				
[°C / °F]	-35	-31	256,4	876	220,7	1,24	4,24	1,07	206,6	2,97	2,87	
cond. pressure	-23,3	-10	447,8	1529	385,4	1,70	5,82	1,47	263,0	3,27	5,06	
pc= 45/113	-15	5	630,1	2152	542,3	2,10	7,18	1,81	299,9	3,52	7,17	
return gas temp.	-9,4	15	780,0	2664	671,2	2,42	8,27	2,08	322,2	3,68	8,93	
RGT= 32/90	-3,9	25	956,8	3268	823,4	2,80	9,55	2,41	342,3	3,83	11,03	
liquid temp	0	32	1098,7	3752	945,5	3,10	10,58	2,67	354,7	3,92	12,74	
Tliq= 45/113	7,2	45	1406,5	4803	1210,4	3,76	12,85	3,24	373,9	4,04	16,52	
[°C / °F]	-35	-31	199,4	681	171,6	0,98	3,35	0,85	203,1	2,93	2,47	
cond. pressure	-23,3	-10	374,9	1280	322,6	1,37	4,69	1,18	273,0	3,33	4,67	
pc= 55/131	-15	5	536,4	1832	461,6	1,67	5,71	1,44	320,7	3,66	6,74	
return gas temp	-9,4	15	667,9	2281	574,8	1,90	6,50	1,64	350,7	3,88	8,46	
RGT= 32/90	-3,9	25	823,0	2811	708,3	2,17	7,42	1,87	378,8	4,09	10,50	
liquid temp	0	32	947,5	3236	815,5	2,39	8,15	2,05	397,1	4,23	12,17	
Tliq= 55/131	7,2	45	1218,6	4162	1048,8	2,85	9,73	2,45	427,8	4,46	15,88	