

SC10/10DL MBP/HBP Twin Compressor R404A/R507 & R407C 220-240V 50Hz

General

| | |
|-----------------------|---------------|
| Code number | 104L4091 |
| Approvals | EN 60335-2-34 |
| Compressors on pallet | 18 |

Application

| Application | MBP/HBP | | |
|--|---------|-----------|----|
| Frequency | Hz | 50 | 60 |
| Evaporating temperature | °C | -20 to 15 | - |
| Voltage range | V | 198 - 254 | - |
| Max. condensing temperature continuous (short) | °C | 55 (60) | - |
| Max. winding temperature continuous (short) | °C | 125 (135) | - |

Cooling requirements

| Frequency | Hz | 50 | | | 60 | | |
|-------------------------|----|-----|----------------|----------------|-----|-----|-----|
| Application | | LBP | MBP | HBP | LBP | MBP | HBP |
| 32°C | | - | F ₂ | F ₂ | - | - | - |
| 38°C | | - | F ₂ | F ₂ | - | - | - |
| 43°C | | - | - | - | - | - | - |
| Remarks on application: | | | | | | | |

Motor

| Motor type | CSIR | | |
|---|------|----------|------|
| LRA (rated after 4 sec. UL984) *, HST LST | A | 2 x 14.8 | - |
| Cut in Current *, HST LST | A | 2 x 14.8 | - |
| Resistance, main start winding (25°C) | Ω | 5.0 | 13.7 |

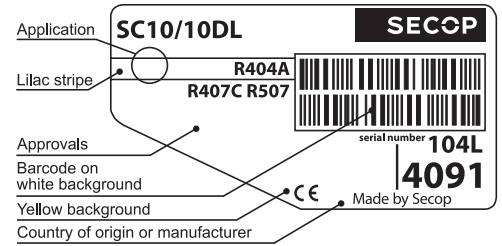
* Operational current for the second compressor time-delayed.

Design

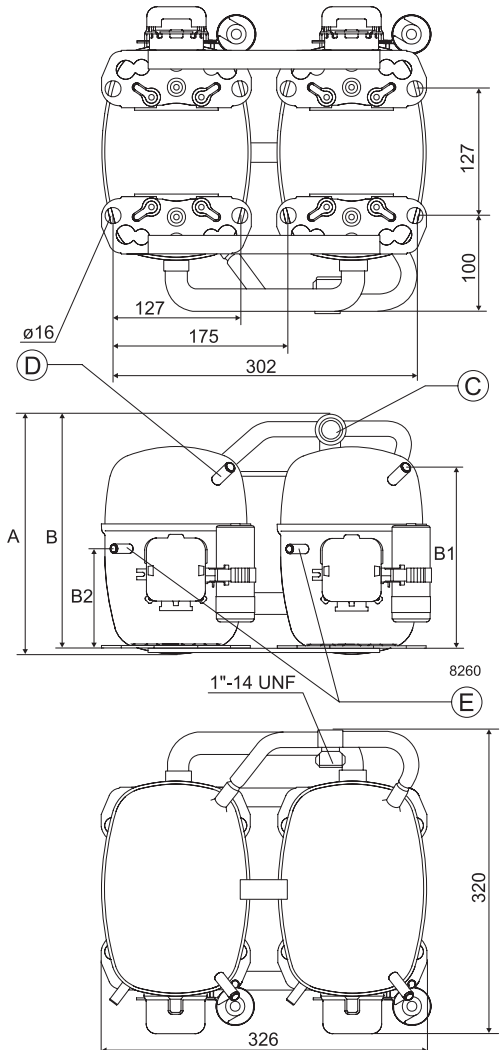
| | | |
|-------------------------------------|-----------------|--------------------|
| Displacement | cm ³ | 2 x 10.29 |
| Oil quantity (type) | cm ³ | 1220 (polyolester) |
| Maximum refrigerant charge | g | 2200 |
| Free gas volume in compressor | cm ³ | 2820 |
| Weight without electrical equipment | kg | 26.8 |

Dimensions

| | | | |
|--------------------------------------|--------------------------|----|----------------------|
| Height | mm | A | 249 |
| | | B | 244 |
| | | B1 | 183 |
| | | B2 | 100 |
| Suction connector (service valve) | location/I.D. mm | C | 12 37° |
| Suction connector (solder connector) | location/I.D. mm | C | 12 37° |
| Process connector | location/I.D. mm angle | D | 6.2 37° |
| | material comment | | Copper Rubber plug |
| Discharge connector | location/I.D. mm angle | E | 6.2 37° |
| | material comment | | Copper Rubber plug |
| Oil cooler connector | location/I.D. mm angle | F | - |
| | material comment | | - |
| Connector tolerance | I.D. mm | | ±0.09 |
| Remarks: | | | |



- S = Static cooling normally sufficient
- O = Oil cooling
- F₁ = Fan cooling 1.5 m/s (compressor compartment temperature equal to ambient temperature)
- F₂ = Fan cooling 3.0 m/s necessary
- SG = Suction gas cooling normally sufficient
- = not applicable in this area



EN 12900 Household (CECOMAF) R404A/R507, 220V, 50Hz, fan cooling F₂

| | | | | | | | | | | | | | | | | | |
|--------------------|-----|-----|-----|-----|-----|-------|------|------|------|------|------|------|------|------|------|------|----|
| Evap. temp. in °C | -45 | -40 | -35 | -30 | -25 | -23.3 | -20 | -15 | -10 | -6.7 | -5 | 0 | 5 | 7.2 | 10 | 15 | 20 |
| Capacity in W | | | | | | | 943 | 1222 | 1550 | 1798 | 1935 | 2383 | 2900 | 3152 | 3494 | 4169 | |
| Power cons. in W | | | | | | | 747 | 858 | 957 | 1016 | 1044 | 1118 | 1180 | 1203 | 1228 | 1262 | |
| Current cons. in A | | | | | | | 5.11 | 5.55 | 5.95 | 6.18 | 6.30 | 6.60 | 6.85 | 6.95 | 7.06 | 7.21 | |
| COP in W/W | | | | | | | 1.26 | 1.42 | 1.62 | 1.77 | 1.85 | 2.13 | 2.46 | 2.62 | 2.85 | 3.30 | |

ASHRAE LBP R404A/R507, 220V, 50Hz, fan cooling F₂

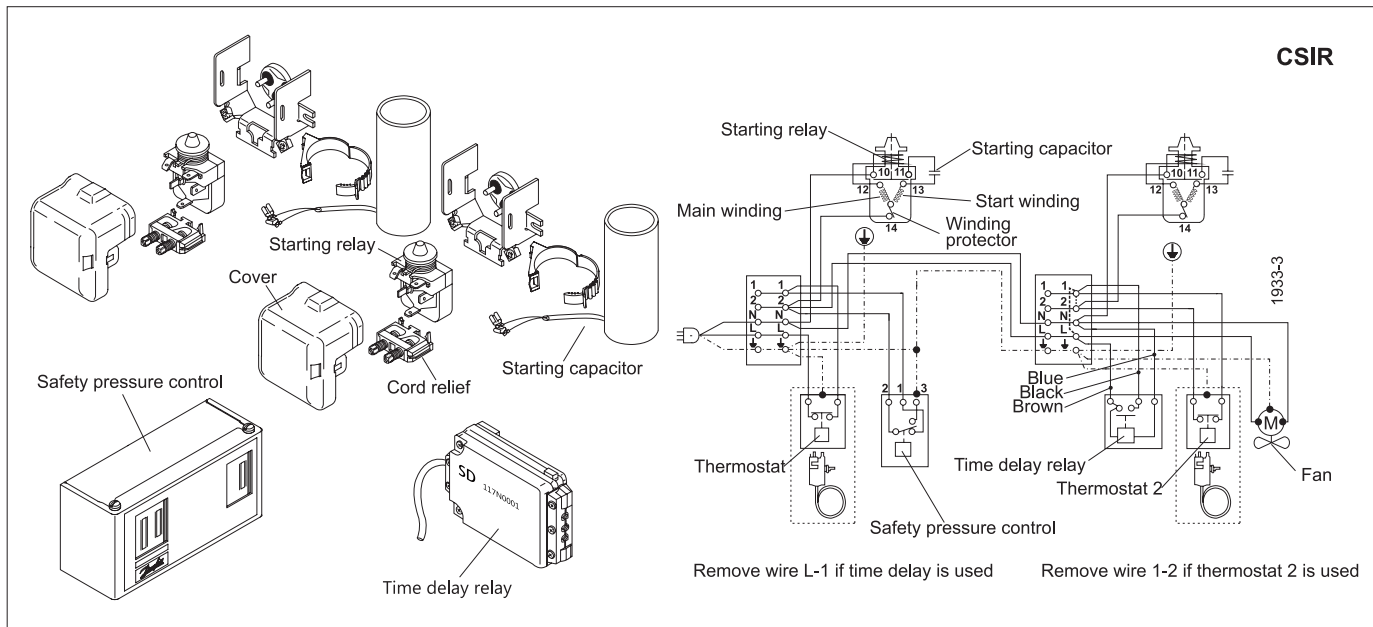
| | | | | | | | | | | | | | | | | | |
|--------------------|-----|-----|-----|-----|-----|-------|------|------|------|------|------|------|------|------|------|------|----|
| Evap. temp. in °C | -45 | -40 | -35 | -30 | -25 | -23.3 | -20 | -15 | -10 | -6.7 | -5 | 0 | 5 | 7.2 | 10 | 15 | 20 |
| Capacity in W | | | | | | | 1095 | 1420 | 1804 | 2085 | 2256 | 2782 | 3392 | 3690 | 4095 | 4901 | |
| Power cons. in W | | | | | | | 747 | 858 | 957 | 1016 | 1044 | 1118 | 1180 | 1203 | 1228 | 1262 | |
| Current cons. in A | | | | | | | 5.11 | 5.55 | 5.95 | 6.18 | 6.30 | 6.60 | 6.85 | 6.95 | 7.06 | 7.21 | |
| COP in W/W | | | | | | | 1.47 | 1.66 | 1.89 | 2.05 | 2.16 | 2.49 | 2.88 | 3.07 | 3.34 | 3.88 | |

EN 12900 Household (CECOMAF) R407C, 220V, 50Hz, fan cooling F₂

| | | | | | | | | | | | | | | | | | |
|--------------------|-----|-----|-----|-----|-----|-------|-----|------|------|------|------|------|------|------|------|------|----|
| Evap. temp. in °C | -45 | -40 | -35 | -30 | -25 | -23.3 | -20 | -15 | -10 | -6.7 | -5 | 0 | 5 | 7.2 | 10 | 15 | 20 |
| Capacity in W | | | | | | | | 961 | 1272 | 1503 | 1642 | 2077 | 2586 | 2835 | 3176 | 3855 | |
| Power cons. in W | | | | | | | | 693 | 788 | 842 | 874 | 951 | 1020 | 1047 | 1081 | 1135 | |
| Current cons. in A | | | | | | | | 5.00 | 5.32 | 5.51 | 5.62 | 5.90 | 6.16 | 6.27 | 6.40 | 6.63 | |
| COP in W/W | | | | | | | | 1.39 | 1.61 | 1.78 | 1.88 | 2.18 | 2.54 | 2.71 | 2.94 | 3.40 | |

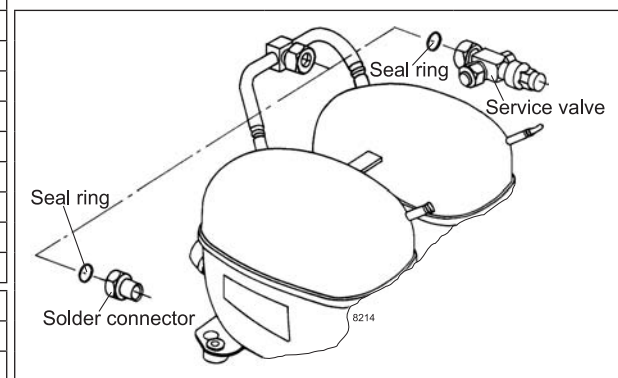
ASHRAE LBP R407C, 220V, 50Hz, fan cooling F₂

| | | | | | | | | | | | | | | | | | |
|--------------------|-----|-----|-----|-----|-----|-------|-----|------|------|------|------|------|------|------|------|------|----|
| Evap. temp. in °C | -45 | -40 | -35 | -30 | -25 | -23.3 | -20 | -15 | -10 | -6.7 | -5 | 0 | 5 | 7.2 | 10 | 15 | 20 |
| Capacity in W | | | | | | | | 1030 | 1364 | 1612 | 1761 | 2229 | 2776 | 3045 | 3412 | 4146 | |
| Power cons. in W | | | | | | | | 693 | 788 | 842 | 874 | 951 | 1020 | 1047 | 1081 | 1135 | |
| Current cons. in A | | | | | | | | 5.00 | 5.32 | 5.51 | 5.62 | 5.90 | 6.16 | 6.27 | 6.40 | 6.63 | |
| COP in W/W | | | | | | | | 1.49 | 1.73 | 1.91 | 2.01 | 2.34 | 2.72 | 2.91 | 3.16 | 3.65 | |



| Accessories | SC10/10DL | pcs. | Code number |
|--|-------------------------|------|-------------|
| Starting device | 470 mm cable length | 2 | - |
| | 550 mm cable length | | - |
| | 650 mm cable length | | - |
| Starting relay | 6.3 mm spade connectors | 2 | 117U6005 |
| Start. capacitor 80 µF | 6.3 mm spade connectors | 2 | 117U5017 |
| Cover | | 2 | 103N2009 |
| Cord relief | | 2 | 103N1004 |
| Time-delay relay | | 1 | 117N0001 |
| Check valve (to be used with time-delay relay) | | 2 | 020-1014 |
| Service valve | 12 mm | 1 | 118-7350 |
| Solder connector (alternative) | 12 mm | 1 | 104B0584 |
| Service valve | 16 mm | 1 | - |
| Solder connector (alternative) | 16 mm | 1 | - |
| Seal ring for service valve and solder connector | | 1 | 118-3638 |
| Mounting accessories | | pcs. | Code number |
| Bolt joint for one compressor | Ø: 16 mm | 2 | 118-1917 |
| Bolt joint in quantities | Ø: 16 mm | 2 | 118-1918 |

| Test conditions | EN 12900/CECOMAF | ASHRAE MBP/HBP |
|-------------------------|------------------|----------------|
| Condensing temperature | 45°C | 45°C |
| Ambient temperature | 32°C | 32°C |
| Suction gas temperature | 32°C | 32°C |
| Liquid temperature | no subcooling | 32°C |



Secop accepts no responsibility for possible errors in catalogs, brochures, and other printed material. Secop reserves the right to alter its products without notice. This also applies to products already on order provided that such alterations can be made without consequential changes being necessary to specifications already agreed. All trademarks in this material are the property of the respective companies. Secop and the Secop logotype are trademarks of Secop GmbH. All rights reserved. www.secop.com