

SC10GHH Heat Pump Compressor R134a 220-240V 50Hz

General

Code number	104G8071
Approvals	EN 60335-2-34
Compressors on pallet	80

Application

Application	HBP		
Frequency	Hz	50	60
Evaporating temperature	°C	-15 to 15	-
Voltage range	V	198 - 254	-
Max. condensing temperature continuous (short)	°C	60 (70)	-
Max. winding temperature continuous (short)	°C	125 (135)	-

Cooling requirements

Frequency	Hz	50			60		
Application		LBP	MBP	HBP	LBP	MBP	HBP
32°C		-	-	O	-	-	O
38°C		-	-	O	-	-	O
43°C		-	-	O	-	-	O
Remarks on application:							

Motor

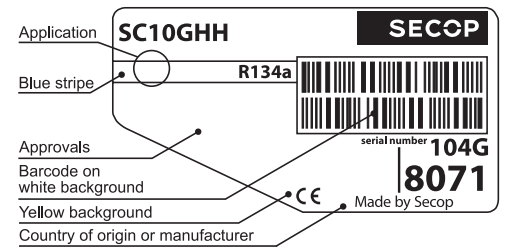
Motor type	CSR		
LRA (rated after 4 sec. UL984), HST LST	A	8.9	-
Cut in Current, HST LST	A	8.9	-
Resistance, main start winding (25°C)	Ω	10.9	37.3

Design

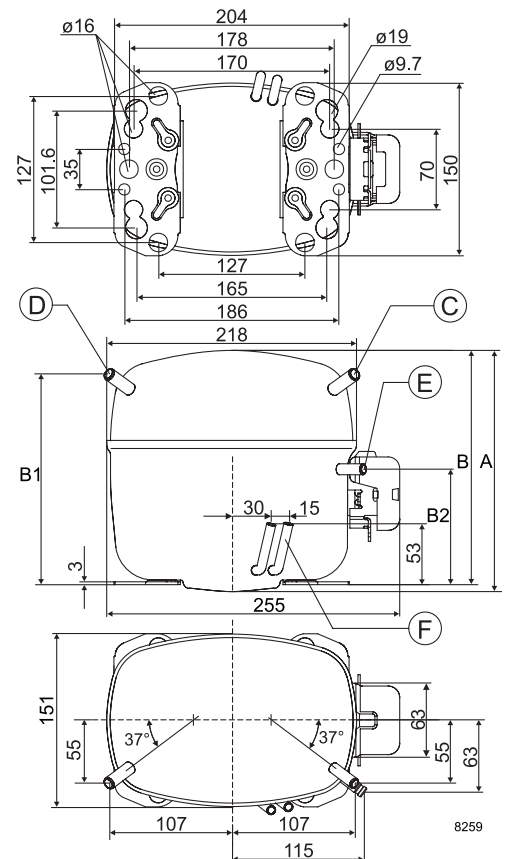
Displacement	cm ³	10.29
Oil quantity (type)	cm ³	450 (polyolester)
Maximum refrigerant charge	g	1300
Free gas volume in compressor	cm ³	1640
Weight without electrical equipment	kg	13.3

Dimensions

Height	mm	A	209
		B	203
		B1	183
		B2	100
Suction connector	location/I.D. mm angle	C	10.2 37°
	material comment	Copper Rubber plug	
Process connector	location/I.D. mm angle	D	6.2 37°
	material comment	Copper Rubber plug	
Discharge connector	location/I.D. mm angle	E	8.2 37°
	material comment	Copper Rubber plug	
Oil cooler connector	location/I.D. mm angle	F	8.2 -
	material comment	Copper Rubber plug	
Connector tolerance	I.D. mm	±0.09	
Remarks:			



- S = Static cooling normally sufficient
- O = Oil cooling
- F₁ = Fan cooling 1.5 m/s (compressor compartment temperature equal to ambient temperature)
- F₂ = Fan cooling 3.0 m/s necessary
- SG = Suction gas cooling normally sufficient
- = not applicable in this area

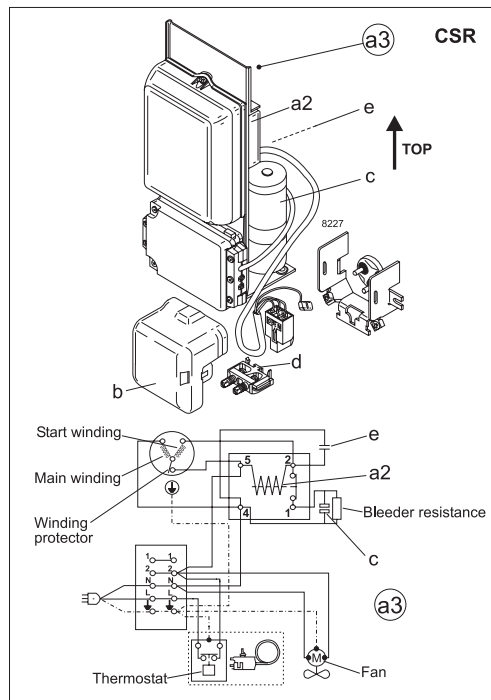


EN 12900 Household (CECOMAF) 220V, 50Hz, fan cooling F₁

Evap. temp. in °C	-45	-40	-35	-30	-25	-23.3	-20	-15	-10	-6.7	-5	0	5	7.2	10	15	20
Capacity in W								259	352	412	467	604	762	855	942	1144	
Power cons. in W								230	260	272	290	318	345	367	371	395	
Current cons. in A								1.03	1.15	1.20	1.28	1.40	1.53	1.60	1.66	1.77	
COP in W/W								1.13	1.35	1.51	1.61	1.90	2.21	2.33	2.54	2.90	

ASHRAE HBP 220V, 50Hz, fan cooling F₁

Evap. temp. in °C	-45	-40	-35	-30	-25	-23.3	-20	-15	-10	-6.7	-5	0	5	7.2	10	15	20
Capacity in W								319	434	496	577	746	943	1060	1168	1421	
Power cons. in W								230	260	272	290	318	345	367	371	395	
Current cons. in A								1.03	1.15	1.20	1.28	1.40	1.53	1.60	1.66	1.77	
COP in W/W								1.39	1.67	1.82	1.99	2.35	2.73	2.89	3.15	3.60	



Accessories for	SC10GHH	Figure	Code number	Test conditions	EN 12900/CECOMAF	ASHRAE HBP
Starting device	550 mm cable length	a3	117-7025	Condensing temperature	55°C	55°C
	1000 mm cable length		117-7014	Ambient temperature	32°C	32°C
Cover		b	103N2009	Suction gas temperature	32°C	32°C
Starting relay		a2	Components of starting device	Liquid temperature	55°C	32°C
Start. capacitor		c				
Run capacitor		e		Mounting accessories		
Cord relief		d	103N1004	Bolt joint for one comp.	Ø: 16 mm	118-1917
				Bolt joint in quantities	Ø: 16 mm	118-1918
				Snap-on in quantities	Ø: 16 mm	118-1919

Secop accepts no responsibility for possible errors in catalogs, brochures, and other printed material. Secop reserves the right to alter its products without notice. This also applies to products already on order provided that such alterations can be made without subsequential changes being necessary to specifications already agreed. All trademarks in this material are the property of the respective companies. Secop and the Secop logotype are trademarks of Secop GmbH. All rights reserved. www.secop.com