

Model

Designation	SC10MLX	220-240V/50Hz 1~ 208-230V/60Hz 1~	Sales code:	104L2506
-------------	----------------	--	-------------	-----------------

Compressor design

Oil type	Polyolester	Refrigerant(s)	R404A, R452A, R507
Oil viscosity	32cST	Displacement	10,29cm ³ / 0,63cu.in
Oil quantity	550cm ³ / 18,6fl.oz	Compressors on pallet	80
Refr. charge - tech. limit	1300g / 45,9oz		
Free gas volume comp.	1410cm ³ / 47,7fl.oz		
Weight	13kg / 28,7lbs		
Motor protection	1# internal		
Winding resistance main	4,4Ω (at 25°C)		
Winding resistance aux	14Ω (at 25°C)		
Max. winding temp.			
Max. discharge temp.	130°C / 266°F		



General - Configurations with SC10MLX

	Conf. 1	Conf. 2	Conf. 3	Conf. 4	Conf. 5
Motorconfiguration	CSIR	CSIR	CSIR	CSIR	CSIR
Power supply (nominal)	220-240V/50Hz	208-230V/60Hz	220-240V/50Hz	220-240V/50Hz	220-240V/50Hz
Number of phases	1	1	1	1	1
Voltage range	187-254V	187-254V	187-254V	187-254V	187-254V
Approvals	VDE, UL, CCC, KC, EAC	VDE, UL, CCC, KC, EAC	VDE, UL, CCC, KC, EAC		
Starting torque	HST	HST	HST	HST	HST
Note	- / -				

Applications with SC10MLX

	Conf. 1	Conf. 2	Conf. 3	Conf. 4	Conf. 5
Refrigerant	R404A	R404A	R452A	R448A	R449A
Application	MBP	MBP	MBP	MBP	MBP
System cooling	fan 3m/s	fan 3m/s	fan 3m/s	fan 3m/s	fan 3m/s
Hot gas defrost	OK	OK	OK	OK	OK
Long interval pull down	OK	OK	OK	OK	OK

Electrical data - Configurations with SC10MLX

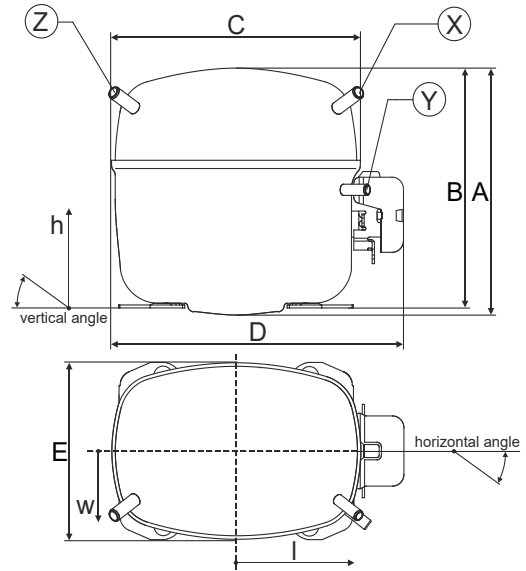
	Conf. 1	Conf. 2	Conf. 3	Conf. 4	Conf. 5
Starting device type	relay	relay	relay	relay	relay
Run capacitor	- / -	- / -	- / -	- / -	- / -
Start capacitor	80µF	80µF	80µF	80µF	80µF
LRA (locked rotor amps / 4s)	19A	18,3A	19A	19A	19A
RLA (rated load amps / 1s)	3,9A	3,52A	3,9A	3,9A	3,9A
Cut in current	19A	18,3A	19A	19A	19A

Model

Designation **SC10MLX** 220-240V/50Hz 1~ 208-230V/60Hz 1~ Sales code: **104L2506**

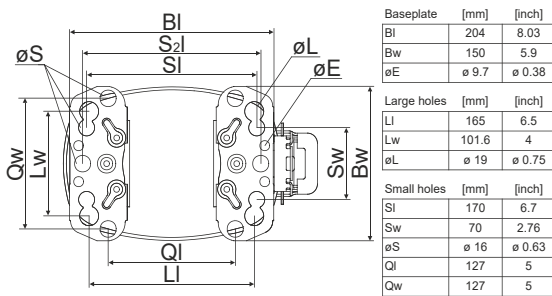
Compressor dimensions

Housing	A Height	209mm / 8,23in
	B Height	203mm / 7,99in
	C Length shell	218mm / 8,58in
	D Length w. cover	255mm / 10,04in
	E Width	151mm / 5,94in

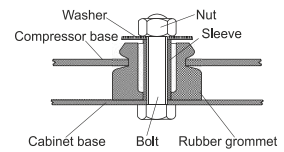


Connectors		Suction	Discharge	Process
		X	Y	Z
Diameter	[mm]	øi 8,11-8,29	øi 6,41-6,59	øi 6,41-6,59
	(i:inside, o:outside) [in]	øi 0,32-0,33	øi 0,25-0,26	øi 0,25-0,26
Material		copper	copper	copper
Horizontal angle	±2°	37°	37°	143°
Vertical angle	±2°	30°	0°	150°
Position l/h/w	[mm]	107/183/55	115/100/63	-107/183/55
	[in]	4,2/7,2/2,2	4,5/3,9/2,5	-4,2/7,2/2,2
Straight tube l.	[mm]	12	12	12
	[in]	0,5	0,5	0,5

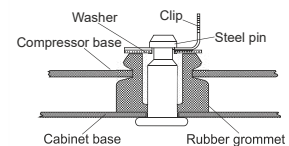
Compressor fixation



Bolt joint



Snap-on



Mounting accessories	one comp.	multi pack
Bolt joint M6 ø16mm	118-1917	118-1918
Bolt joint ø1/4" ø16mm	118-1946	
Bolt joint ø1/4" ø19mm	118-1949	
Snap-on ø7,3 ø16mm	118-1947	118-1919

Application notes

LRA value on compressor label and datasheet may differ due to different test conditions for UL approval.

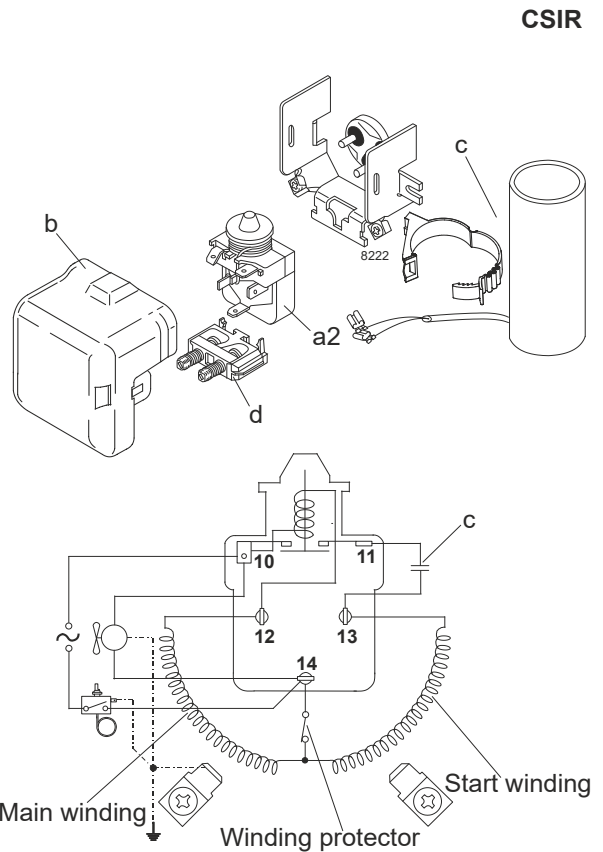
Model

Designation	SC10MLX	220-240V/50Hz	Conf. 1	Sales code:	104L2506
-------------	----------------	----------------------	----------------	-------------	-----------------

Configuration

Motorconfiguration	CSIR
Power supply (nominal)	220-240V/50Hz 1~
Refrigerant	R404A
Application	MBP
Voltage range	187-254V
Starting torque	HST
Approvals	VDE UL CCC KC EAC

Electrical accessories / wiring diagram

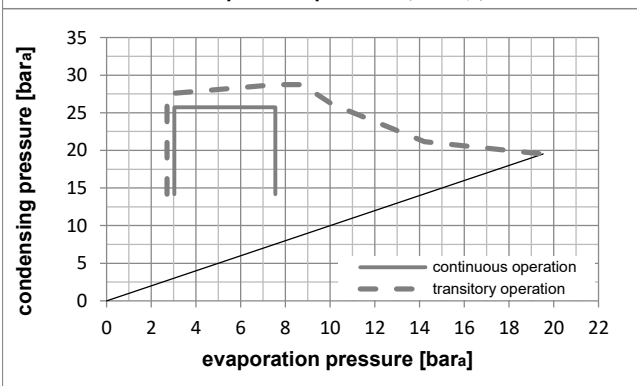
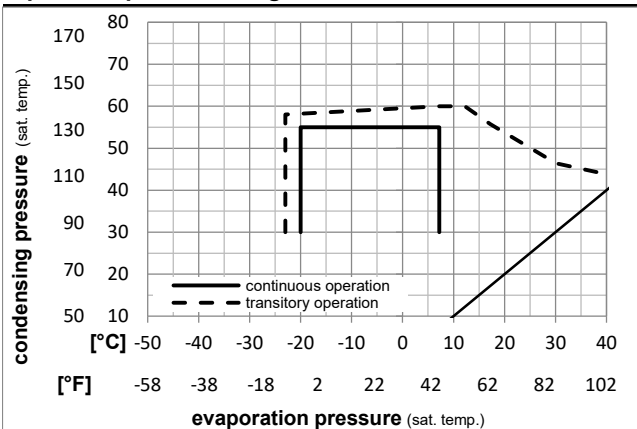


Ambient temperatures / system cooling

Ambient temperature min.:	10°C / 50°F
Ambient temperature max.:	43°C / 110°F

System cooling (n/a: outside limits)			
T ambient	LBP	MBP	HBP
32°C / 90°F	n/a	fan 3m/s	n/a
38°C / 100°F	n/a	fan 3m/s	n/a
43°C / 110°F	n/a	fan 3m/s	n/a

Operation pressure range



Components

a2	relay	117U6011
c	start capacitor (80µF)	117U5017
d	cord relief	103N1004
b	plastic cover	103N2008

Model

Designation **SC10MLX 220-240V/50Hz** Conf. 1 Sales code: **104L2506**

Optimization + standard conditions

R404A, 220V/50Hz, CSIR, fan 3m/s, VDE, UL, CCC, KC, EAC

Evaporating pressure (saturation temperature)					Condensing pressure (saturation temperature)					Power consumption				
					Return gas temp.					Current consumption				
					Liquid temp.					Ref. mass flow				
					Cooling capacity					COP EER				
					P1					I m				
					[W] [Btu/h] [kcal/h]					[W/W] [Btu/Wh] [kcal/Wh]				
					[W] [A] [kg/h]									
[°C]	pe	pc	RGT	Tliq	[W]	[Btu/h]	[kcal/h]	[W/W]	[Btu/Wh]	[kcal/Wh]	[W]	[A]	[kg/h]	ASHRAE MBP
[°F]	-6,66	54,4	35	46,1	902,9	3084	777,0	1,54	5,25	1,32	587,7	3,91	24,84	
[°C]	-10	55	32	55	668,3	2282	575,1	1,20	4,08	1,03	559,1	3,79	21,39	cecomaf MBP
[°F]	20	130	95	115										
[°C]	-10	45	20	45	805,8	2752	693,4	1,55	5,31	1,34	518,5	3,65	24,27	EN12900 MBP
[°F]	14	113	68	113										
[°C]	-6,66	48,9	18,3	48,9	835,8	2854	719,3	1,49	5,08	1,28	561,7	3,81	27,31	ARI540 MBP
[°F]	20	120	65	120										
[°C]	-10	45	32	45	855,1	2920	735,9	1,65	5,63	1,42	518,5	3,65	23,55	opt
[°F]	14	113	89,6	113										
[°C]	-25	45	32	45	426,9	1458	367,4	1,06	3,62	0,91	402,9	3,28	11,51	opt
[°F]	-13	113	89,6	113										

Performance tables

R404A, 220V/50Hz, CSIR, fan 3m/s, VDE, UL, CCC, KC, EAC

	pe		Cooling capacity			COP			EER			P1		I		m	
	[°C]	[°F]	[W]	[Btu/h]	[kcal/h]	[W/W]	[Btu/Wh]	[kcal/Wh]	[W]	[A]	[kg/h]	[W]	[A]	[kg/h]	[W]	[A]	[kg/h]
[°C / °F]	-20	-4	545,5	1863	469,5	1,23	4,21	1,06	442,1	3,39	14,80						
cond. pressure	-15	5	687,4	2348	591,6	1,43	4,89	1,23	480,5	3,51	18,78						
pc= 45/113	-10	14	855,1	2920	735,9	1,65	5,63	1,42	518,5	3,65	23,55						
return gas temp.	-6,7	20	981,1	3351	844,4	1,81	6,17	1,55	543,4	3,75	27,18						
RGT= 32/90	-5	23	1051,1	3590	904,5	1,89	6,45	1,63	556,3	3,80	29,22						
liquid temp	0	32	1277,6	4363	1099,6	2,15	7,34	1,85	594,3	3,96	35,92						
Tliq= 45/113	7,2	45	1662,8	5679	1431,0	2,56	8,73	2,20	650,2	4,23	47,68						
[°C / °F]	-20	-4	413,8	1413	356,1	0,90	3,06	0,77	462,0	3,45	13,02						
cond. pressure	-15	5	531,5	1815	457,4	1,04	3,55	0,89	511,3	3,61	16,86						
pc= 55/131	-10	14	668,3	2282	575,1	1,20	4,08	1,03	559,1	3,79	21,39						
return gas temp	-6,7	20	770,2	2630	662,8	1,31	4,46	1,12	589,9	3,91	24,83						
RGT= 32/90	-5	23	826,6	2823	711,3	1,36	4,66	1,17	605,6	3,98	26,75						
liquid temp	0	32	1008,8	3445	868,2	1,55	5,29	1,33	651,2	4,18	33,08						
Tliq= 55/131	7,2	45	1318,2	4502	1134,4	1,84	6,29	1,58	715,9	4,50	44,24						

Model

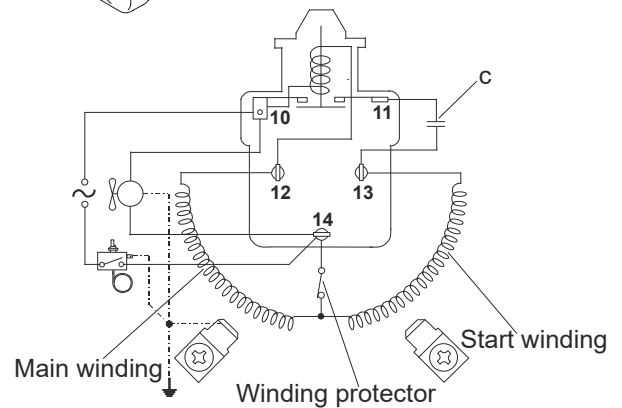
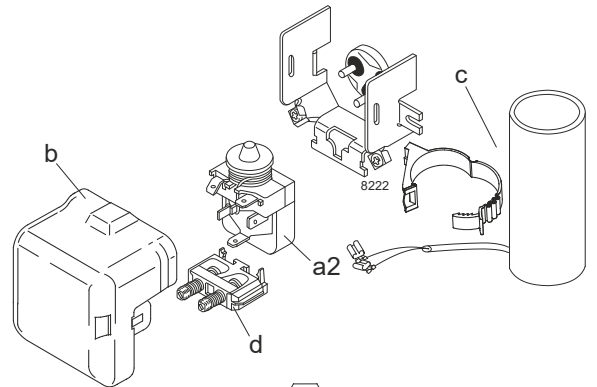
Designation	SC10MLX	208-230V/60Hz	Conf. 2	Sales code:	104L2506
-------------	----------------	----------------------	----------------	-------------	-----------------

Configuration

Motorconfiguration	CSIR
Power supply (nominal)	208-230V/60Hz 1~
Refrigerant	R404A
Application	MBP
Voltage range	187-254V
Starting torque	HST
Approvals	VDE UL CCC KC EAC

Electrical accessories / wiring diagram

CSIR

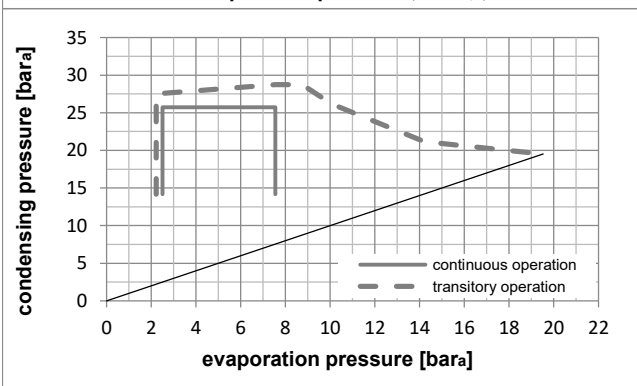
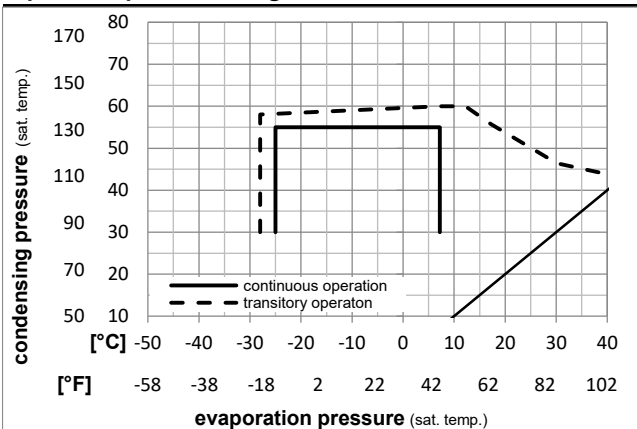


Ambient temperatures / system cooling

Ambient temperature min.:	10°C / 50°F
Ambient temperature max.:	43°C / 110°F

System cooling (n/a: outside limits)			
T ambient	LBP	MBP	HBP
32°C / 90°F	n/a	fan 3m/s	n/a
38°C / 100°F	n/a	fan 3m/s	n/a
43°C / 110°F	n/a	fan 3m/s	n/a

Operation pressure range



Components

a2	relay	117U6011
c	start capacitor (80µF)	117U5017
d	cord relief	103N1004
b	plastic cover	103N2008

Model

Designation	SC10MLX	208-230V/60Hz	Conf. 2	Sales code:	104L2506
-------------	----------------	----------------------	----------------	-------------	-----------------

Optimization + standard conditions

R404A, 220V/60Hz, CSIR, fan 3m/s, VDE, UL, CCC, KC, EAC

		Evaporating pressure (saturation temperature)			Condensing pressure (saturation temperature)			Return gas temp.		Liquid temp.		Cooling capacity			COP	EER	Power consumption			Ref. mass flow ṁ	
		pe	pc	RGT	Tliq	[W]	[Btu/h]	[kcal/h]	[W/W]	[Btu/Wh]	[kcal/Wh]	P1	I	Current consumption							
[°C]	[°F]											[W]	[A]	[kg/h]							
-6,7	20	54,4	130	35	95	46,1	115	1065,1	3638	916,6	1,53	5,22	1,32	697,0	3,80	29,31				ASHRAE MBP	
-10	14	55	131	32	89,6	55	131	785,5	2683	676,0	1,20	4,11	1,04	652,1	3,59	25,15				cecomaf MBP	
-10	14	45	113	20	68	45	113	956,7	3267	823,4	1,56	5,34	1,35	611,6	3,44	28,82				EN12900 MBP	
-6,7	20	48,9	120	18,3	65	48,9	120	987,7	3373	850,0	1,47	5,04	1,27	669,7	3,69	32,27				ARI540 MBP	
-10	14	45	113	32	89,6	45	113	1015,4	3468	873,8	1,66	5,67	1,43	611,6	3,44	27,96				opt	
-25	-13	45	113	32	89,6	45	113	499,7	1707	430,1	1,11	3,77	0,95	452,1	2,81	13,48				opt	

Performance tables

R404A, 220V/60Hz, CSIR, fan 3m/s, VDE, UL, CCC, KC, EAC

	pe	Cooling capacity			COP	EER	P1	I	m		
	[°C]	[°F]	[W]	[Btu/h]	[kcal/h]	[W/W]	[Btu/Wh]	[kcal/Wh]	[W]	[A]	[kg/h]
[°C / °F]	-25	-13	499,7	1707	430,1	1,11	3,77	0,95	452,1	2,81	13,48
cond. pressure	-20	-4	645,6	2205	555,6	1,28	4,37	1,10	504,3	2,99	17,52
pc= 45/113	-15	5	816,4	2788	702,6	1,47	5,01	1,26	556,6	3,20	22,30
return gas temp.	-10	14	1015,4	3468	873,8	1,66	5,67	1,43	611,6	3,44	27,96
RGT= 32/90	-5	23	1245,6	4254	1072,0	1,85	6,33	1,60	671,7	3,72	34,63
liquid temp	0	32	1510,2	5158	1299,7	2,04	6,97	1,76	739,5	4,02	42,46
Tliq= 45/113	7,2	45	1957,9	6687	1685,0	2,29	7,81	1,97	855,6	4,53	56,14
[°C / °F]	-25	-13	347,8	1188	299,4	0,80	2,73	0,69	435,0	2,81	10,87
cond. pressure	-20	-4	474,3	1620	408,2	0,93	3,18	0,80	510,2	3,04	14,92
pc= 55/131	-15	5	619,2	2115	532,9	1,06	3,64	0,92	581,7	3,30	19,64
return gas temp	-10	14	785,5	2683	676,0	1,20	4,11	1,04	652,1	3,59	25,15
RGT= 32/90	-5	23	976,5	3335	840,4	1,35	4,61	1,16	723,8	3,92	31,61
liquid temp	0	32	1195,2	4082	1028,6	1,50	5,11	1,29	799,4	4,28	39,19
Tliq= 55/131	7,2	45	1565,2	5345	1347,0	1,70	5,81	1,46	920,0	4,85	52,53

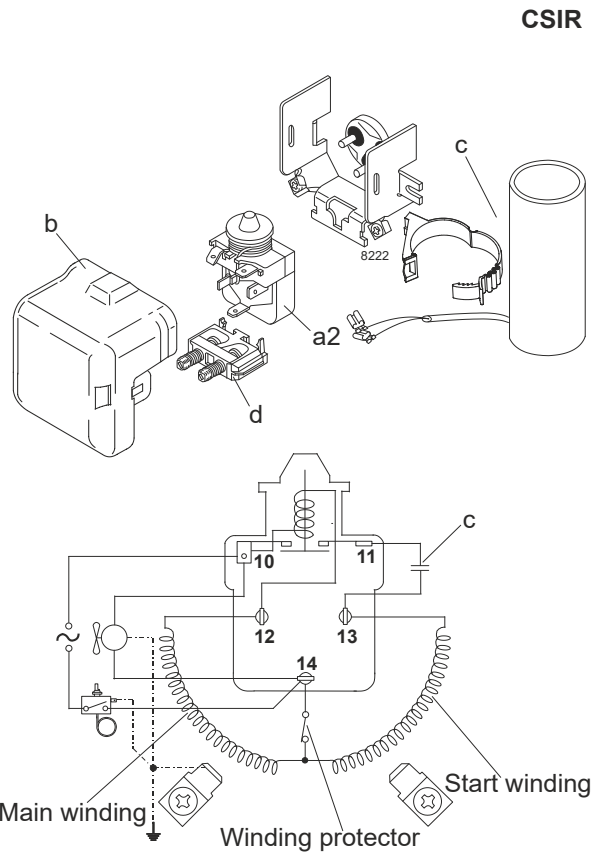
Model

Designation	SC10MLX	220-240V/50Hz	Conf. 3	Sales code:	104L2506
-------------	----------------	----------------------	----------------	-------------	-----------------

Configuration

Motorconfiguration	CSIR
Power supply (nominal)	220-240V/50Hz 1~
Refrigerant	R452A
Application	MBP
Voltage range	187-254V
Starting torque	HST
Approvals	VDE UL CCC KC EAC

Electrical accessories / wiring diagram

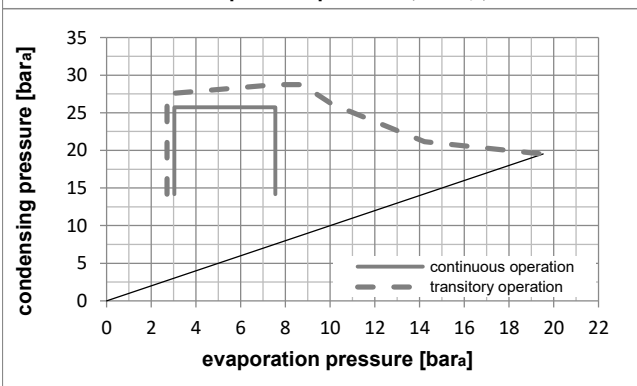
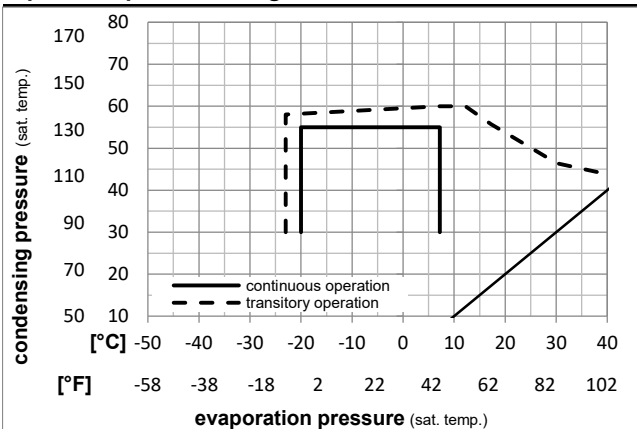


Ambient temperatures / system cooling

Ambient temperature min.:	10°C / 50°F
Ambient temperature max.:	43°C / 110°F

System cooling (n/a: outside limits)			
T ambient	LBP	MBP	HBP
32°C / 90°F	n/a	fan 3m/s	n/a
38°C / 100°F	n/a	fan 3m/s	n/a
43°C / 110°F	n/a	fan 3m/s	n/a

Operation pressure range



Components

a2	relay	117U6011
c	start capacitor (80µF)	117U5017
d	cord relief	103N1004
b	plastic cover	103N2008

Model

Designation **SC10MLX 220-240V/50Hz** Conf. 3 Sales code: **104L2506**

Optimization + standard conditions

R452A, 220V/50Hz, CSIR, fan 3m/s, VDE, UL, CCC, KC, EAC

		Evaporating pressure (saturation temperature)				Condensing pressure (saturation temperature)					Power consumption								
						Return gas temp.					Current consumption								
						Liquid temp.					Ref. mass flow								
						Cooling capacity					COP				EER	P1	I	m	
		pe	pc	RGT	Tliq	[W]	[Btu/h]	[kcal/h]	[W/W]	[Btu/Wh]	[kcal/Wh]	[W]	[A]	[kg/h]					
[°C]	-6,66	54,4	35	46,1	848,8	2899	730,5	1,51	5,17	1,30	560,4	3,87	23,88	ASHRAE					
[°F]	20	130	95	115										MBP					
[°C]	-10	55	32	55	628,8	2147	541,1	1,19	4,05	1,02	530,4	3,76	20,44	cecomaf					
[°F]	14	131	89,6	131										MBP					
[°C]	-10	45	20	45	757,1	2585	651,5	1,53	5,24	1,32	493,3	3,63	23,26	EN12900					
[°F]	14	113	68	113										MBP					
[°C]	-6,66	48,9	18,3	48,9	790,5	2700	680,3	1,47	5,03	1,27	536,4	3,78	26,23	ARI540					
[°F]	20	120	65	120										MBP					
[°C]	-10	45	32	45	802,2	2740	690,4	1,63	5,55	1,40	493,3	3,63	22,60	opt					
[°F]	14	113	89,6	113															
[°C]	-25	45	32	45	389,1	1329	334,8	1,04	3,55	0,89	374,8	3,19	10,76	opt					
[°F]	-13	113	89,6	113															

Performance tables

R452A, 220V/50Hz, CSIR, fan 3m/s, VDE, UL, CCC, KC, EAC

	pe	Cooling capacity				COP		EER		P1	I	m
	[°C]	[°F]	[W]	[Btu/h]	[kcal/h]	[W/W]	[Btu/Wh]	[kcal/Wh]	[W]	[A]	[kg/h]	
[°C / °F]	-20	-4	503,0	1718	432,9	1,21	4,14	1,04	414,8	3,33	13,99	
cond. pressure	-15	5	639,9	2185	550,7	1,41	4,81	1,21	454,2	3,48	17,90	
pc= 45/113	-10	14	802,2	2740	690,4	1,63	5,55	1,40	493,3	3,63	22,60	
return gas temp.	-6,7	20	924,6	3158	795,7	1,78	6,08	1,53	519,2	3,72	26,19	
RGT= 32/90	-5	23	992,7	3390	854,3	1,86	6,36	1,60	532,6	3,77	28,21	
liquid temp	0	32	1213,8	4145	1044,6	2,12	7,24	1,82	572,4	3,92	34,84	
Tliq= 45/113	7,2	45	1591,5	5435	1369,7	2,52	8,61	2,17	631,3	4,14	46,49	
[°C / °F]	-20	-4	381,1	1302	328,0	0,89	3,02	0,76	430,5	3,39	12,20	
cond. pressure	-15	5	495,4	1692	426,3	1,03	3,52	0,89	481,1	3,58	15,97	
pc= 55/131	-10	14	628,8	2147	541,1	1,19	4,05	1,02	530,4	3,76	20,44	
return gas temp	-6,7	20	728,6	2488	627,0	1,30	4,42	1,11	562,4	3,88	23,83	
RGT= 32/90	-5	23	784,0	2677	674,7	1,35	4,63	1,17	578,8	3,94	25,73	
liquid temp	0	32	963,5	3291	829,2	1,54	5,25	1,32	626,7	4,12	31,99	
Tliq= 55/131	7,2	45	1270,2	4338	1093,1	1,83	6,24	1,57	695,4	4,37	43,05	

Model

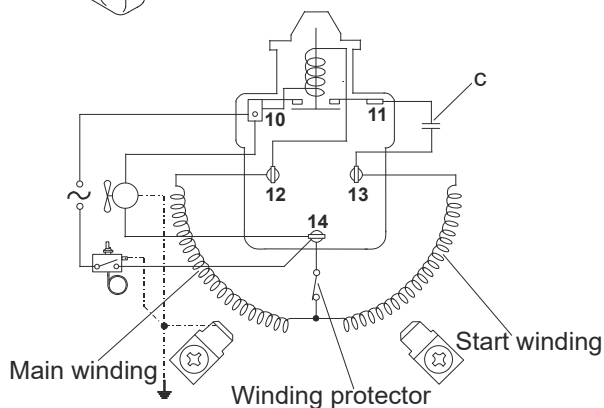
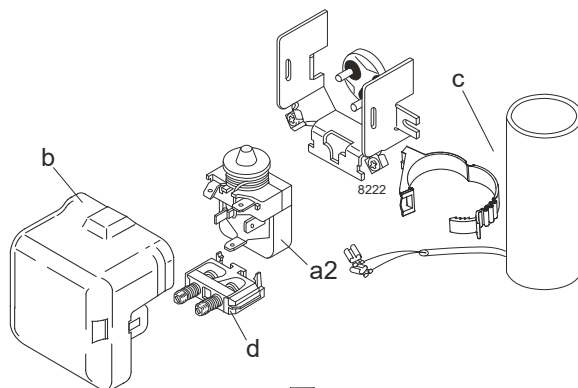
Designation	SC10MLX	220-240V/50Hz	Conf. 4	Sales code:	104L2506
-------------	----------------	----------------------	----------------	-------------	-----------------

Configuration

Motorconfiguration	CSIR
Power supply (nominal)	220-240V/50Hz 1~
Refrigerant	R448A
Application	MBP
Voltage range	187-254V
Starting torque	HST
Approvals	

Electrical accessories / wiring diagram

CSIR

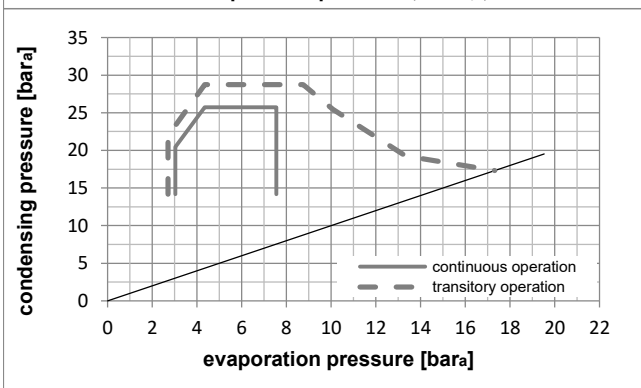
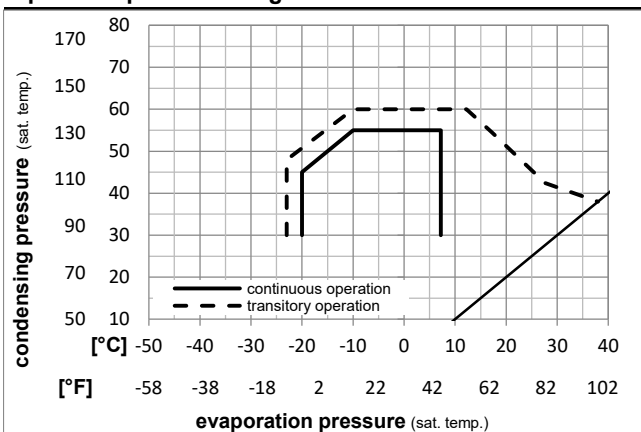


Ambient temperatures / system cooling

Ambient temperature min.:	10°C / 50°F
Ambient temperature max.:	38°C / 101°F

System cooling (n/a: outside limits)			
T ambient	LBP	MBP	HBP
32°C / 90°F	n/a	fan 3m/s	n/a
38°C / 100°F	n/a	fan 3m/s	n/a
43°C / 110°F	n/a	n/a	n/a

Operation pressure range



Components

a2	relay	117U6011
c	start capacitor (80µF)	117U5017
d	cord relief	103N1004
b	plastic cover	103N2008

Model

Designation **SC10MLX 220-240V/50Hz** Conf. 4 Sales code: **104L2506**

Optimization + standard conditions

R448A, 220V/50Hz, CSIR, fan 3m/s,

		Evaporating pressure (saturation temperature)				Condensing pressure (saturation temperature)					Power consumption				
		Return gas temp.				Liquid temp.					Current consumption			Ref. mass flow	
		Cooling capacity				COP	EER	P1	I	m					
		pe	pc	RGT	Tliq	[W]	[Btu/h]	[kcal/h]	[W/W]	[Btu/Wh]	[kcal/Wh]	[W]	[A]	[kg/h]	
[°C]	-6,66	54,4	35	46,1	815,0	2783	701,4	1,52	5,18	1,31	537,3	3,79	17,80	ASHRAE MBP	
[°F]	20	130	95	115											
[°C]	-10	55	32	55	619,1	2114	532,8	1,22	4,17	1,05	507,0	3,68	15,16	cecomaf MBP	
[°F]	14	131	89,6	131											
[°C]	-10	45	20	45	737,9	2520	635,1	1,57	5,35	1,35	471,0	3,54	17,26	EN12900 MBP	
[°F]	14	113	68	113											
[°C]	-6,66	48,9	18,3	48,9	785,8	2684	676,2	1,53	5,22	1,32	513,8	3,70	19,54	ARI540 MBP	
[°F]	20	120	65	120											
[°C]	-10	45	32	45	767,9	2622	660,8	1,63	5,57	1,40	471,0	3,54	16,78	opt	
[°F]	14	113	89,6	113											
[°C]	-25	45	32	45	361,9	1236	311,5	1,03	3,50	0,88	352,6	3,10	7,78	opt	
[°F]	-13	113	89,6	113											

Performance tables

R448A, 220V/50Hz, CSIR, fan 3m/s,

		pe	Cooling capacity			COP	EER	P1	I	m		
		[°C]	[°F]	[W]	[Btu/h]	[kcal/h]	[W/W]	[Btu/Wh]	[kcal/Wh]	[W]	[A]	[kg/h]
[°C / °F]	-20	-4	472,9	1615	407,0	1,21	4,12	1,04	392,2	3,25	10,21	
cond. pressure	-15	5	607,3	2074	522,6	1,41	4,81	1,21	431,6	3,40	13,19	
pc= 45/113	-10	14	767,9	2622	660,8	1,63	5,57	1,40	471,0	3,54	16,78	
return gas temp.	-6,7	20	889,6	3038	765,6	1,79	6,11	1,54	497,2	3,64	19,53	
RGT= 32/90	-5	23	957,6	3270	824,1	1,87	6,40	1,61	510,7	3,69	21,08	
liquid temp	0	32	1179,3	4027	1014,9	2,14	7,31	1,84	551,1	3,84	26,19	
Tliq= 45/113	7,2	45	1560,5	5330	1343,0	2,55	8,72	2,20	610,9	4,06	35,20	
[°C / °F]	-20	-4	368,0	1257	316,7	0,90	3,08	0,78	407,4	3,31	8,90	
cond. pressure	-15	5	483,2	1650	415,8	1,06	3,61	0,91	457,6	3,49	11,75	
pc= 55/131	-10	14	619,1	2114	532,8	1,22	4,17	1,05	507,0	3,68	15,16	
return gas temp	-6,7	20	721,4	2464	620,9	1,34	4,57	1,15	539,3	3,80	17,76	
RGT= 32/90	-5	23	778,5	2659	670,0	1,40	4,78	1,21	555,8	3,86	19,22	
liquid temp	0	32	964,3	3293	829,9	1,60	5,45	1,37	604,4	4,04	24,05	
Tliq= 55/131	7,2	45	1284,2	4386	1105,2	1,90	6,50	1,64	674,6	4,30	32,59	

Model

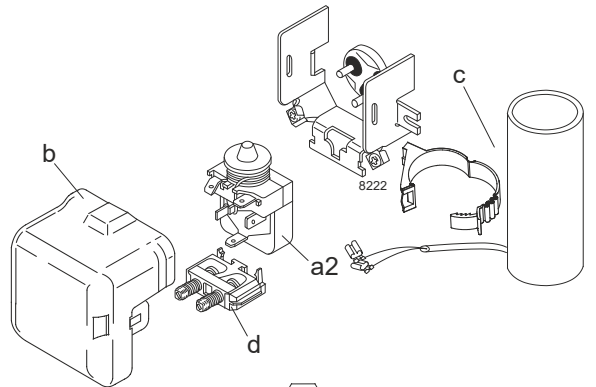
Designation	SC10MLX	220-240V/50Hz	Conf. 5	Sales code:	104L2506
-------------	----------------	----------------------	----------------	-------------	-----------------

Configuration

Motorconfiguration	CSIR
Power supply (nominal)	220-240V/50Hz 1~
Refrigerant	R449A
Application	MBP
Voltage range	187-254V
Starting torque	HST
Approvals	

Electrical accessories / wiring diagram

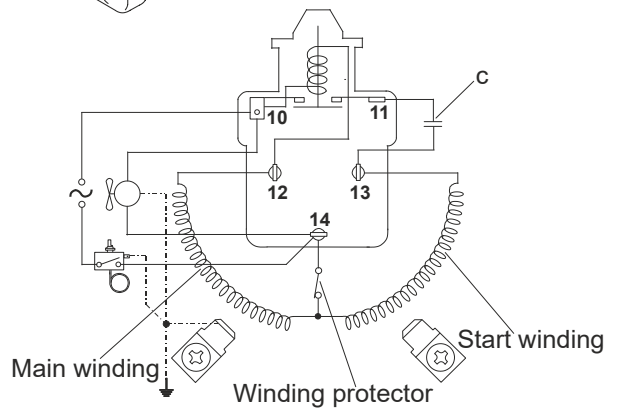
CSIR



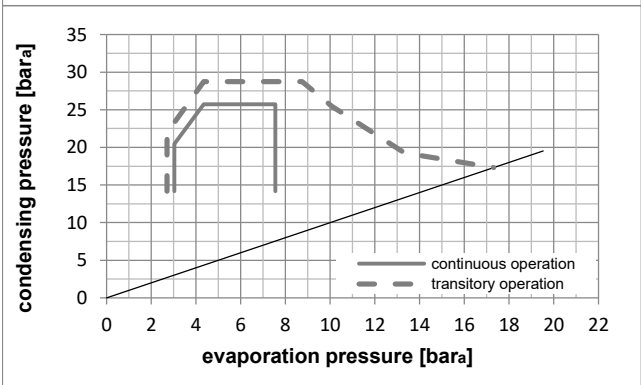
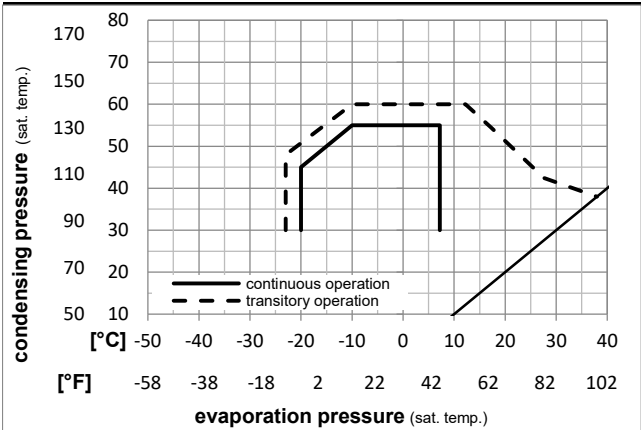
Ambient temperatures / system cooling

Ambient temperature min.:	10°C / 50°F
Ambient temperature max.:	38°C / 101°F

System cooling (n/a: outside limits)			
T ambient	LBP	MBP	HBP
32°C / 90°F	n/a	fan 3m/s	n/a
38°C / 100°F	n/a	fan 3m/s	n/a
43°C / 110°F	n/a	n/a	n/a



Operation pressure range



Components

a2	relay	117U6011
c	start capacitor (80µF)	117U5017
d	cord relief	103N1004
b	plastic cover	103N2008

Model

Designation **SC10MLX 220-240V/50Hz** Conf. 5 Sales code: **104L2506**

Optimization + standard conditions

R449A, 220V/50Hz, CSIR, fan 3m/s,

		Evaporating pressure (saturation temperature)				Condensing pressure (saturation temperature)					Power consumption				
		Return gas temp.				Liquid temp.					Current consumption			Ref. mass flow	
		Cooling capacity				COP		EER		P1	I	m			
		pe	pc	RGT	Tliq	[W]	[Btu/h]	[kcal/h]	[W/W]	[Btu/Wh]	[kcal/Wh]	[W]	[A]	[kg/h]	
[°C]	-6,66	54,4	35	46,1	810,6	2768	697,6	1,52	5,17	1,30	535,0	3,78	18,06	ASHRAE MBP	
[°F]	20	130	95	115											
[°C]	-10	55	32	55	615,0	2100	529,3	1,22	4,16	1,05	504,9	3,67	15,38	cecomaf MBP	
[°F]	14	131	89,6	131											
[°C]	-10	45	20	45	733,1	2504	630,9	1,56	5,34	1,34	469,3	3,54	17,51	EN12900 MBP	
[°F]	14	113	68	113											
[°C]	-6,66	48,9	18,3	48,9	779,9	2664	671,2	1,52	5,21	1,31	511,7	3,69	19,82	ARI540 MBP	
[°F]	20	120	65	120											
[°C]	-10	45	32	45	763,7	2608	657,2	1,63	5,56	1,40	469,3	3,54	17,02	opt	
[°F]	14	113	89,6	113											
[°C]	-25	45	32	45	360,6	1231	310,3	1,02	3,50	0,88	351,9	3,10	7,91	opt	
[°F]	-13	113	89,6	113											

Performance tables

R449A, 220V/50Hz, CSIR, fan 3m/s,

		pe	Cooling capacity			COP		EER		P1	I	m
		[°C]	[°F]	[W]	[Btu/h]	[kcal/h]	[W/W]	[Btu/Wh]	[kcal/Wh]	[W]	[A]	[kg/h]
[°C / °F]	-20	-4	470,8	1608	405,2	1,20	4,11	1,04	391,2	3,25	10,37	
cond. pressure	-15	5	604,2	2064	520,0	1,40	4,80	1,21	430,2	3,39	13,38	
pc= 45/113	-10	14	763,7	2608	657,2	1,63	5,56	1,40	469,3	3,54	17,02	
return gas temp.	-6,7	20	884,5	3021	761,2	1,79	6,10	1,54	495,2	3,63	19,81	
RGT= 32/90	-5	23	952,0	3251	819,3	1,87	6,39	1,61	508,7	3,68	21,37	
liquid temp	0	32	1172,0	4002	1008,6	2,14	7,30	1,84	548,6	3,83	26,55	
Tliq= 45/113	7,2	45	1550,2	5294	1334,1	2,55	8,71	2,19	607,9	4,05	35,67	
[°C / °F]	-20	-4	366,1	1250	315,0	0,90	3,08	0,78	406,3	3,30	9,04	
cond. pressure	-15	5	480,3	1640	413,4	1,05	3,60	0,91	456,0	3,49	11,93	
pc= 55/131	-10	14	615,0	2100	529,3	1,22	4,16	1,05	504,9	3,67	15,38	
return gas temp	-6,7	20	716,5	2447	616,7	1,33	4,56	1,15	536,9	3,79	18,02	
RGT= 32/90	-5	23	773,0	2640	665,3	1,40	4,77	1,20	553,3	3,85	19,50	
liquid temp	0	32	957,2	3269	823,8	1,59	5,44	1,37	601,4	4,03	24,39	
Tliq= 55/131	7,2	45	1274,0	4351	1096,5	1,90	6,49	1,63	670,7	4,28	33,04	