

## SC10MNX MBP Compressor R290 220-240V 50Hz

### General

Code number	104H8075
Approvals	EN 60335-2-34, CCC
Compressors on pallet	80

### Application

Application	MBP		
Frequency	Hz	50	60
Evaporating temperature	°C	-35 to 10	-
Voltage range	V	187 - 254	-
Max. condensing temperature continuous (short)	°C	55 (65)	-
Max. winding temperature continuous (short)	°C	125 (135)	-

### Cooling requirements

Frequency	Hz	50			60		
Application		LBP	MBP	HBP	LBP	MBP	HBP
32°C		-	F <sub>2</sub>	-	-	-	-
38°C		-	F <sub>2</sub>	-	-	-	-
43°C		-	F <sub>2</sub>	-	-	-	-
Remarks on application:							

### Motor

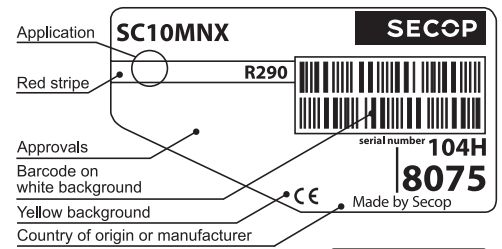
Motor type	CSIR		
LRA (rated after 4 sec. UL984), HST   LST	A	14.8	-
Cut in Current, HST   LST	A	14.8	-
Resistance, main   start winding (25°C)	Ω	5.0	13.7

### Design

Displacement	cm <sup>3</sup>	10.29
Oil quantity (type)	cm <sup>3</sup>	550 (polyolester)
Maximum refrigerant charge	g	150
Free gas volume in compressor	cm <sup>3</sup>	1410
Weight without electrical equipment	kg	13.0

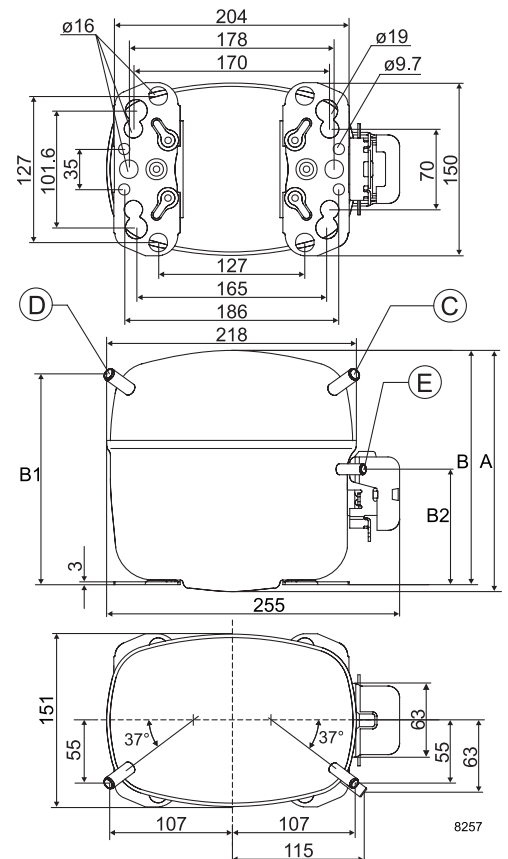
### Dimensions

Height	mm	A	209
		B	203
		B1	183
		B2	100
Suction connector	location/I.D. mm   angle	C	8.2   37°
	material   comment		Copper   Rubber plug
Process connector	location/I.D. mm   angle	D	6.2   37°
	material   comment		Copper   Rubber plug
Discharge connector	location/I.D. mm   angle	E	6.2   37°
	material   comment		Copper   Rubber plug
Oil cooler connector	location/I.D. mm   angle	F	-
	material   comment		-
Connector tolerance	I.D. mm		±0.09
Remarks:			



Yellow warning label

- S = Static cooling normally sufficient
- O = Oil cooling
- F<sub>1</sub> = Fan cooling 1.5 m/s  
(compressor compartment temperature equal to ambient temperature)
- F<sub>2</sub> = Fan cooling 3.0 m/s necessary
- SG = Suction gas cooling normally sufficient
- = not applicable in this area



**EN 12900 MBP**

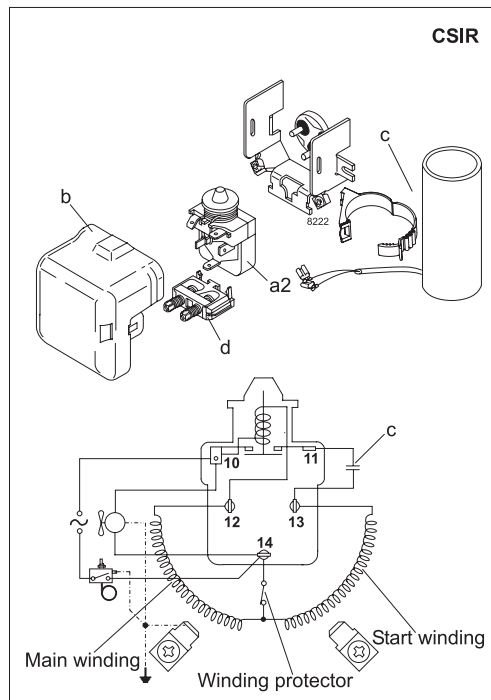
220V, 50Hz, fan cooling F<sub>2</sub>

Evap. temp. in °C	-45	-40	-35	-30	-25	-23.3	-20	-15	-10	-6.7	-5	0	5	7.2	10	15	20
Capacity in W			149	234	332	368	445	575	724	834	894	1088	1307	1412	1554		
Power cons. in W			167	238	295	312	341	377	405	420	427	443	457	463	470		
Current cons. in A			2.17	2.28	2.39	2.42	2.49	2.58	2.67	2.72	2.75	2.82	2.88	2.91	2.94		
COP in W/W			0.89	0.98	1.12	1.18	1.30	1.52	1.79	1.99	2.10	2.45	2.86	3.05	3.31		

**ASHRAE HBP/MBP**

220V, 50Hz, fan cooling F<sub>2</sub>

Evap. temp. in °C	-45	-40	-35	-30	-25	-23.3	-20	-15	-10	-6.7	-5	0	5	7.2	10	15	20
Capacity in W			110	207	316	356	440	583	747	867	934	1147	1391	1508	1666		
Power cons. in W			104	197	275	298	339	391	433	456	467	493	515	523	533		
Current cons. in A			2.10	2.24	2.38	2.43	2.51	2.64	2.75	2.83	2.86	2.97	3.06	3.10	3.15		
COP in W/W			1.07	1.05	1.15	1.20	1.30	1.49	1.72	1.90	2.00	2.33	2.70	2.88	3.12		



Accessories for	SC10MNX	Figure	Code number	Test conditions	EN 12900 MBP	ASHRAE HBP/MBP
PTC starting device	6.3 mm spade connectors	-	-	Condensing temperature	45°C	54.4°C
	4.8 mm spade connectors			Ambient temperature	32°C	35°C
Starting relay	6.3 mm spade connectors	a2	117U7005	Suction gas temperature	20°C	35°C
Cover		b	103N2008	Liquid temperature	no subcooling	46.1°C
Start. capacitor 80 µF	6.3 mm spade connectors	c	117U5017			
Cord relief		d	103N1004			
Protection screen for PTC		-	-			
				<b>Mounting accessories</b>	<b>Code number</b>	
				Bolt joint for one comp.	Ø: 16 mm	118-1917
				Bolt joint in quantities	Ø: 16 mm	118-1918
				Snap-on in quantities	Ø: 16 mm	118-1919

Secop accepts no responsibility for possible errors in catalogs, brochures, and other printed material. Secop reserves the right to alter its products without notice. This also applies to products already on order provided that such alterations can be made without subsequential changes being necessary to specifications already agreed. All trademarks in this material are the property of the respective companies. Secop and the Secop logotype are trademarks of Secop GmbH. All rights reserved. [www.secop.com](http://www.secop.com)