

Model

Designation	SC15CL	220-240V/50Hz 1~	Sales code:	104L2875
-------------	---------------	-------------------------	-------------	-----------------

Compressor design

Oil type	Polyolester	Refrigerant(s)	R404A, R507
Oil viscosity	32cSt	Displacement	15,28cm ³ / 0,93cu.in
Oil quantity	549cm ³ / 18,6fl.oz	Compressors on pallet	80
Refr. charge - tech. limit	1300g / 45,9oz		
Free gas volume comp.	1510cm ³ / 51,1fl.oz		
Weight	13,8kg / 30,4lbs		
Motor protection	1# internal		
Winding resistance main	3,7Ω (at 25°C)		
Winding resistance aux	14Ω (at 25°C)		
Max. winding temp.	125°C / 257°F		
Max. discharge temp.	130°C / 266°F		



General - Configurations with SC15CL

	Conf. 1	Conf. 2
Motorconfiguration	CSIR	CSCR
Power supply (nominal)	220-240V/50Hz	220-240V/50Hz
Number of phases	1	1
Voltage range	198-254V	198-254V
Approvals	VDE	VDE
Starting torque	HST	HST
Note	- / -	

Applications with SC15CL

	Conf. 1	Conf. 2
Refrigerant	R404A	R404A
Application	LBP+MBP	LBP+MBP
System cooling	fan 3m/s	fan 3m/s
Hot gas defrost	OK	OK
Long interval pull down	OK	OK

Electrical data - Configurations with SC15CL

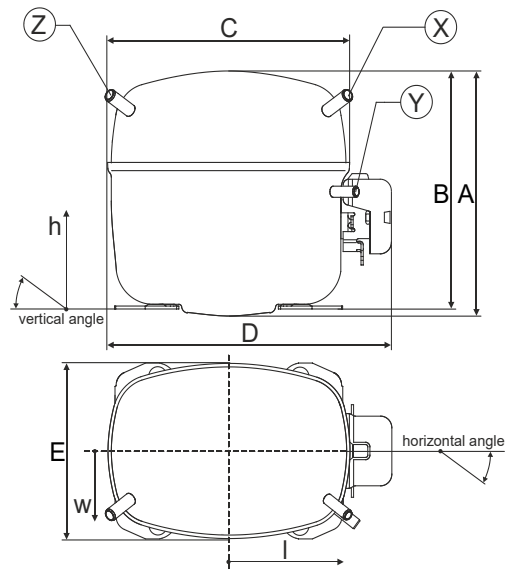
	Conf. 1	Conf. 2
Starting device type	relay	relay
Run capacitor	-/-	10μF
Start capacitor	80μF	80μF
LRA (locked rotor amps / 4s)	20,43A	20,43A
RLA (rated load amps / 1s)	3,9A	4,2A
Cut in current	20,43A	20,43A
IP class	21	21

Model

Designation	SC15CL	220-240V/50Hz 1~	Sales code:	104L2875
-------------	---------------	-------------------------	-------------	-----------------

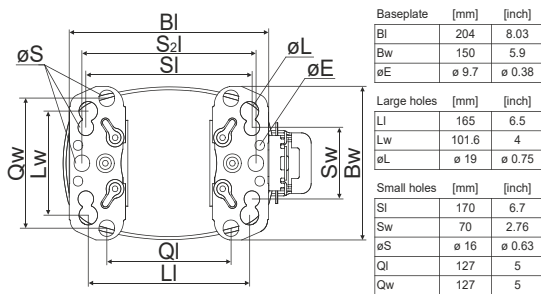
Compressor dimensions

Housing	A Height	219mm / 8,62in
	B Height	213mm / 8,39in
	C Length shell	239mm / 9,41in
	D Length w. cover	255mm / 10,04in
	E Width	151mm / 5,94in



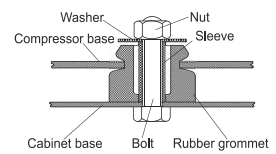
Connectors		Suction	Discharge	Process
		X	Y	Z
Diameter	[mm]	øi 9,54-9,72	øi 6,41-6,59	øi 6,41-6,59
	(i:inside, o:outside) [in]	øi 0,38-0,38	øi 0,25-0,26	øi 0,25-0,26
Material		copper	copper	copper
Horizontal angle	±2°	37°	37°	143°
Vertical angle	±2°	30°	0°	150°
Position l/h/w	[mm]	107/193/55	115/110/63	-107/193/55
	[in]	4,2/7,6/2,2	4,5/4,3/2,5	-4,2/7,6/2,2
Straight tube l.	[mm]	12	12	12
	[in]	0,5	0,5	0,5

Compressor fixation

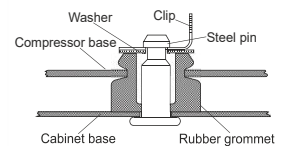


Baseplate	[mm]	[inch]
BI	204	8.03
Bw	150	5.9
øE	ø 9.7	ø 0.38
Large holes		
LI	165	6.5
Lw	101.6	4
øL	ø 19	ø 0.75
Small holes		
SI	170	6.7
Sw	70	2.76
øS	ø 16	ø 0.63
QI	127	5
Qw	127	5

Bolt joint



Snap-on



Mounting accessories	one comp.	multi pack
Bolt joint M6 ø16mm	118-1917	118-1918
Bolt joint ø1/4" ø16mm	118-1946	
Bolt joint ø1/4" ø19mm	118-1949	
Snap-on ø7,3 ø16mm	118-1947	118-1919

Model

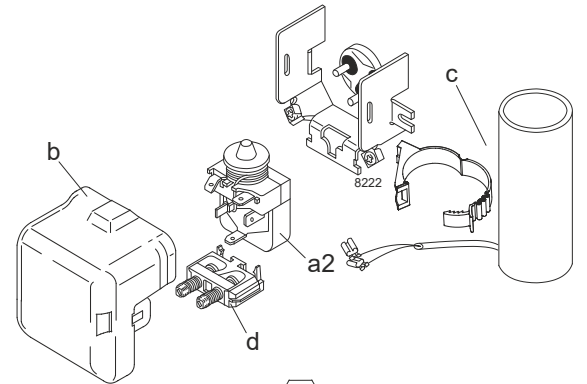
Designation	SC15CL	220-240V/50Hz	Conf. 1	Sales code:	104L2875
-------------	---------------	----------------------	----------------	-------------	-----------------

Configuration

Motorconfiguration	CSIR
Power supply (nominal)	220-240V/50Hz 1~
Refrigerant	R404A
Application	LBP+MBP
Voltage range	198-254V
Starting torque	HST
Approvals	VDE

Electrical accessories / wiring diagram

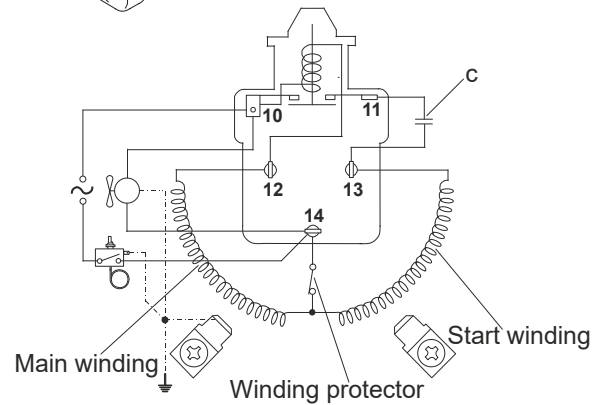
CSIR



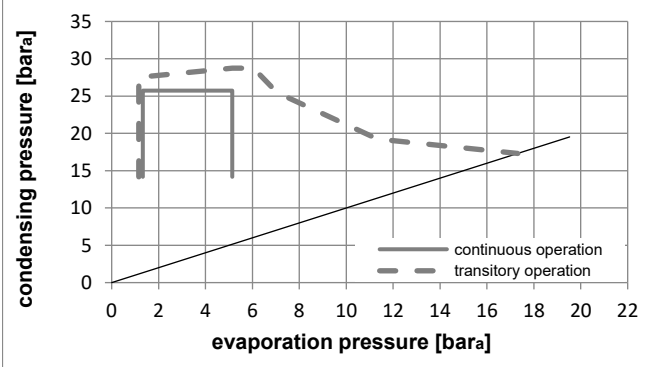
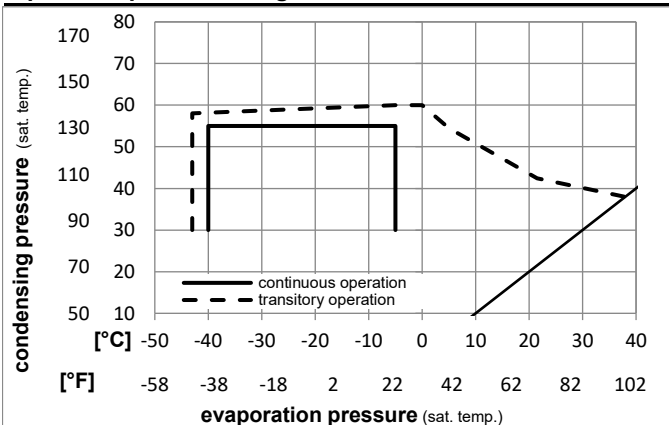
Ambient temperatures / system cooling

Ambient temperature min.:	10°C / 50°F
Ambient temperature max.:	38°C / 101°F

System cooling (n/a: outside limits)			
T ambient	LBP	MBP	HBP
32°C / 90°F	fan 3m/s	fan 3m/s	n/a
38°C / 100°F	fan 3m/s	fan 3m/s	n/a
43°C / 110°F	n/a	n/a	n/a



Operation pressure range



Components

a2	relay	117U6019
c	start capacitor (80µF)	117U5017
d	cord relief	103N1004
b	plastic cover	103N2009

Model

Designation	SC15CL	220-240V/50Hz	Conf. 1	Sales code:	104L2875
-------------	---------------	----------------------	----------------	-------------	-----------------

Optimization + standard conditions

220-240V/50Hz 1~, CSIR, fan 3m/s, VDE

		Evaporating pressure (saturation temperature)				Condensing pressure (saturation temperature)						Power consumption			
		Return gas temp.		Liquid temp.		Cooling capacity				COP	EER	P1	Current consumption		Ref. mass flow
		pe	pc	RGT	Tliq	[W]	[Btu/h]	[kcal/h]	[W/W]	[Btu/Wh]	[kcal/Wh]	[W]	I	m	
[°C]	[°F]	[°C]	[°F]	[°C]	[°F]								[A]	[kg/h]	
-23,3	-10	54,4	130	32,2	90	695,3	2375	598,4	1,19	4,08	1,03	582,2	3,55	16,20	ASHRAE LBP
-25	-13	55	131	32	89,6	455,8	1557	392,2	0,84	2,85	0,72	545,6	3,44	14,24	cecomaf LBP
-35	-31	40	104	20	68	354,2	1210	304,8	0,86	2,93	0,74	413,0	3,05	9,62	EN12900 LBP
-23,3	-10	48,9	120	4,44	40	530,1	1811	456,2	0,90	3,06	0,77	591,9	3,61	18,77	ARI540 LBP
-23,3	-10	40,6	105	32,2	90	804,5	2748	692,4	1,43	4,88	1,23	562,9	3,55	18,75	AHAM LBP
-35	-31	45	113	32	89,6	299,5	1023	257,7	0,75	2,56	0,64	400,3	3,05	8,01	opt

Performance tables

220-240V/50Hz 1~, CSIR, fan 3m/s, VDE

	pe	Cooling capacity			COP	EER	P1	I	m		
	[°C]	[°F]	[W]	[Btu/h]	[kcal/h]	[W/W]	[Btu/Wh]	[kcal/Wh]	[W]	[A]	[kg/h]
[°C / °F]	-40	-40	151,1	516	130,1	0,51	1,73	0,44	298,4	2,83	4,03
cond. pressure	-35	-31	299,5	1023	257,7	0,75	2,56	0,64	400,3	3,05	8,01
pc= 45/113	-30	-22	452,5	1545	389,4	0,93	3,18	0,80	485,2	3,28	12,15
return gas temp.	-25	-13	615,0	2100	529,3	1,10	3,75	0,95	560,0	3,52	16,59
RGT= 32/90	-20	-4	791,9	2705	681,5	1,25	4,28	1,08	631,2	3,77	21,49
liquid temp	-15	5	988,1	3375	850,4	1,40	4,78	1,21	705,7	4,04	26,99
Tliq= 45/113	-5	23	1457,8	4979	1254,6	1,64	5,59	1,41	891,0	4,60	40,53
[°C / °F]	-40	-40	-44,2	-151	-38,0	-0,29	-1,00	-0,25	151,5	2,58	-1,36
cond. pressure	-35	-31	124,0	424	106,7	0,41	1,39	0,35	305,7	2,85	3,84
pc= 55/131	-30	-22	289,1	987	248,8	0,66	2,27	0,57	434,8	3,14	8,98
return gas temp	-25	-13	455,8	1557	392,2	0,84	2,85	0,72	545,6	3,44	14,24
RGT= 32/90	-20	-4	629,1	2148	541,4	0,98	3,33	0,84	644,7	3,75	19,79
liquid temp	-15	5	813,8	2779	700,4	1,10	3,76	0,95	738,9	4,07	25,81
Tliq= 55/131	-5	23	1237,2	4225	1064,7	1,32	4,50	1,13	939,4	4,74	40,04

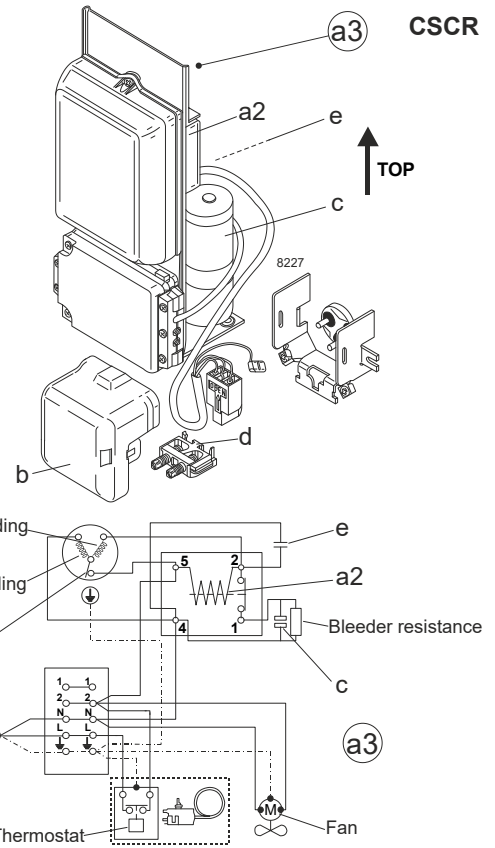
Model

Designation	SC15CL	220-240V/50Hz	Conf. 2	Sales code:	104L2875
-------------	---------------	----------------------	----------------	-------------	-----------------

Configuration

Motorconfiguration	CSCR
Power supply (nominal)	220-240V/50Hz 1~
Refrigerant	R404A
Application	LBP+MBP
Voltage range	198-254V
Starting torque	HST
Approvals	VDE

Electrical accessories / wiring diagram

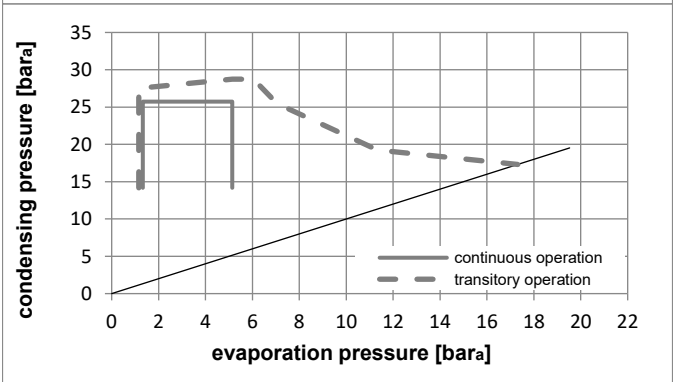
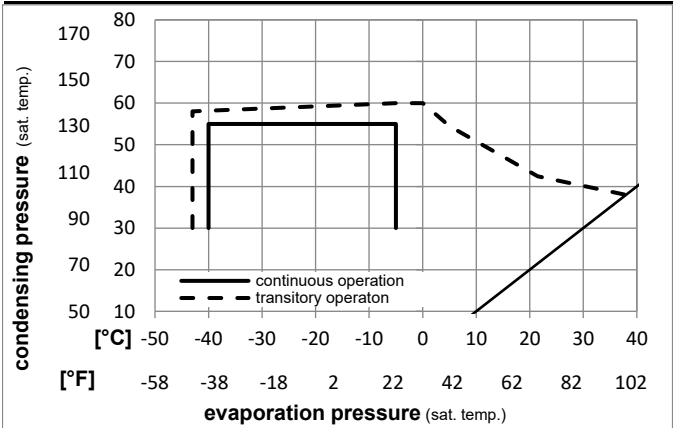


Ambient temperatures / system cooling

Ambient temperature min.:	10°C / 50°F
Ambient temperature max.:	38°C / 101°F

System cooling (n/a: outside limits)			
T ambient	LBP	MBP	HBP
32°C / 90°F	fan 3m/s	fan 3m/s	n/a
38°C / 100°F	fan 3m/s	fan 3m/s	n/a
43°C / 110°F	n/a	n/a	n/a

Operation pressure range



Components

a3	SC starter kit (550mm)	117-7027
b	plastic cover	103N2009
d	cord relief	103N1004

Alternative components

a3	SC starter kit (1000mm)	117-7040
a3	SC starter kit (650mm)	117-7046

Model

Designation **SC15CL 220-240V/50Hz** Conf. **2** Sales code: **104L2875**

Optimization + standard conditions

220-240V/50Hz 1~, CSCR, fan 3m/s, VDE

		Evaporating pressure (saturation temperature)				Condensing pressure (saturation temperature)						Power consumption			
		Return gas temp.				Liquid temp.						Current consumption		Ref. mass flow	
		Cooling capacity				COP		EER		P1	I	m			
		pe	pc	RGT	Tliq	[W]	[Btu/h]	[kcal/h]	[W/W]	[Btu/Wh]	[kcal/Wh]	[W]	[A]	[kg/h]	
[°C]	-23,3	54,4	32,2	32,2	702,2	2398	604,4	1,32	4,51	1,14	532,3	3,25	16,36	ASHRAE LBP	
[°F]	-10	130	90	90											
[°C]	-25	55	32	55	460,3	1572	396,2	0,92	3,15	0,79	498,8	3,14	14,39	cecomaf LBP	
[°F]	-13	131	89,6	131											
[°C]	-35	40	20	40	357,7	1222	307,8	0,95	3,24	0,82	377,6	2,79	9,72	EN12900 LBP	
[°F]	-31	104	68	104											
[°C]	-23,3	48,9	4,44	48,9	535,4	1829	460,8	0,99	3,38	0,85	541,1	3,30	18,96	ARI540 LBP	
[°F]	-10	120	40	120											
[°C]	-23,3	40,6	32,2	32,2	812,6	2775	699,3	1,58	5,39	1,36	514,6	3,25	18,93	AHAM LBP	
[°F]	-10	105	90	90											
[°C]	-35	45	32	45	302,5	1033	260,3	0,83	2,82	0,71	365,9	2,79	8,09	opt	
[°F]	-31	113	89,6	113											

Performance tables

220-240V/50Hz 1~, CSCR, fan 3m/s, VDE

	pe	Cooling capacity			COP		EER		P1	I	m
	[°C]	[°F]	[W]	[Btu/h]	[kcal/h]	[W/W]	[Btu/Wh]	[kcal/Wh]	[W]	[A]	[kg/h]
[°C / °F]	-40	-40	152,7	521	131,4	0,56	1,91	0,48	272,8	2,59	4,07
cond. pressure	-35	-31	302,5	1033	260,3	0,83	2,82	0,71	365,9	2,79	8,09
pc= 45/113	-30	-22	457,0	1561	393,3	1,03	3,52	0,89	443,6	3,00	12,27
return gas temp.	-25	-13	621,2	2121	534,6	1,21	4,14	1,04	512,0	3,22	16,76
RGT= 32/90	-20	-4	799,9	2732	688,4	1,39	4,73	1,19	577,1	3,45	21,70
liquid temp	-15	5	998,0	3408	858,9	1,55	5,28	1,33	645,1	3,69	27,26
Tliq= 45/113	-5	23	1472,4	5029	1267,2	1,81	6,17	1,56	814,6	4,20	40,93
[°C / °F]	-40	-40	-44,6	-152	-38,4	-0,32	-1,10	-0,28	138,5	2,35	-1,37
cond. pressure	-35	-31	125,3	428	107,8	0,45	1,53	0,39	279,5	2,61	3,87
pc= 55/131	-30	-22	291,9	997	251,2	0,73	2,51	0,63	397,5	2,87	9,07
return gas temp	-25	-13	460,3	1572	396,2	0,92	3,15	0,79	498,8	3,14	14,39
RGT= 32/90	-20	-4	635,4	2170	546,8	1,08	3,68	0,93	589,4	3,43	19,99
liquid temp	-15	5	822,0	2807	707,4	1,22	4,16	1,05	675,6	3,72	26,07
Tliq= 55/131	-5	23	1249,5	4267	1075,4	1,45	4,97	1,25	858,8	4,34	40,44