

Model

Designation	SC15CL	220-240V/50Hz 1~	Sales code:	104L2876
-------------	---------------	------------------	-------------	-----------------

Compressor design

Oil type	Polyolester	Refrigerant(s)	R404A, R507
Oil viscosity	32cST	Displacement	15,28cm ³ / 0,93cu.in
Oil quantity	499cm ³ / 16,9fl.oz	Compressors on pallet	80
Refr. charge - tech. limit	1300g / 45,9oz		
Free gas volume comp.	1510cm ³ / 51,1fl.oz		
Weight	13,8kg / 30,4lbs		
Motor protection	1# internal		
Winding resistance main	3,7Ω (at 25°C)		
Winding resistance aux	14Ω (at 25°C)		
Max. winding temp.	125°C / 257°F		
Max. discharge temp.	140°C / 284°F		



General - Configurations with SC15CL

	Conf. 1
Motorconfiguration	CSIR
Power supply (nominal)	220-240V/50Hz
Number of phases	1
Voltage range	198-254V
Approvals	VDE
Starting torque	HST
Note	Electrical equipment will be pre-assembled to compressor.

Applications with SC15CL

	Conf. 1
Refrigerant	R404A
Application	LBP+MBP
System cooling	fan 3m/s
Hot gas defrost	OK
Long interval pull down	OK

Electrical data - Configurations with SC15CL

	Conf. 1
Starting device type	relay
Run capacitor	-/-
Start capacitor	80μF
LRA (locked rotor amps / 4s)	20,43A
RLA (rated load amps / 1s)	3,9A
Cut in current	20,43A

Model

Designation

SC15CL

220-240V/50Hz 1~

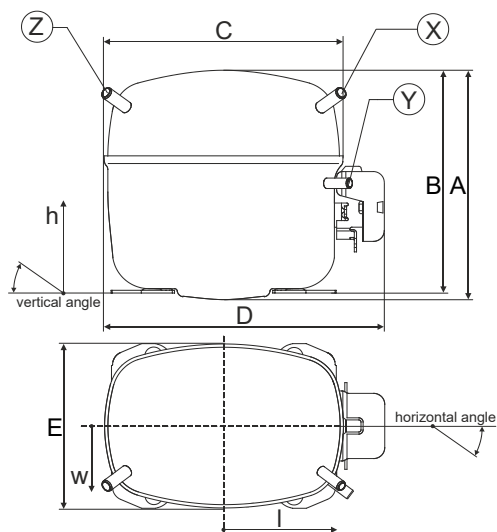
Sales code:

104L2876

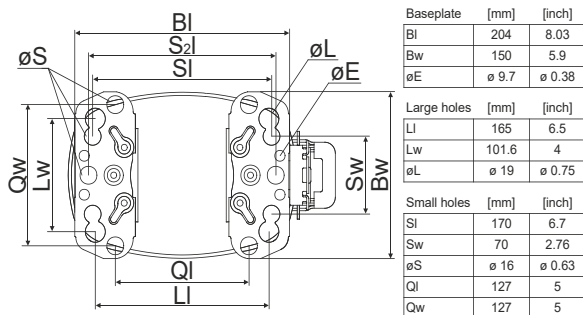
Compressor dimensions

Housing	A Height	219mm / 8,62in
	B Height	213mm / 8,39in
	C Length shell	239mm / 9,41in
	D Length w. cover	255mm / 10,04in
	E Width	151mm / 5,94in

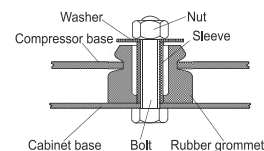
Connectors	Suction X	Discharge Y	Process Z
Diameter [mm]	øi 9,54-9,72	øi 6,41-6,59	øi 6,41-6,59
(i:inside, o:outside) [in]	øi 0,38-0,38	øi 0,25-0,26	øi 0,25-0,26
Material	copper	copper	copper
Horizontal angle ±2°	37°	37°	143°
Vertical angle ±2°	30°	0°	150°
Position l/h/w [mm]	107/193/55	115/110/63	-107/193/55
[in]	4,2/7,6/2,2	4,5/4,3/2,5	-4,2/7,6/2,2
Straight tube l. [mm]	12	12	12
[in]	0,5	0,5	0,5



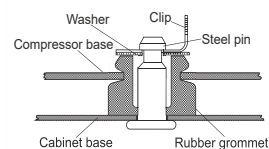
Compressor fixation



Bolt joint



Snap-on



Mounting accessories

	one comp.	multi pack
Bolt joint M6 ø16mm	118-1917	118-1918
Bolt joint ø1/4" ø16mm	118-1946	
Bolt joint ø1/4" ø19mm	118-1949	
Snap-on ø7,3 ø16mm	118-1947	118-1919

Model

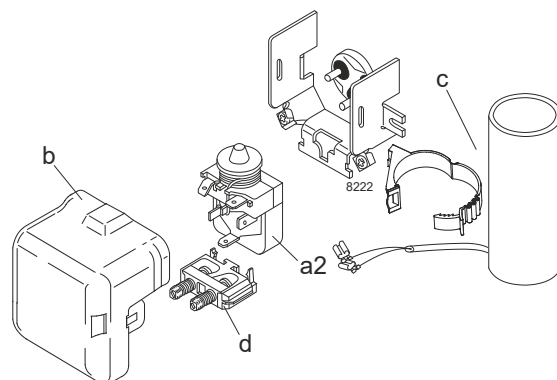
Designation	SC15CL	220-240V/50Hz	Conf. 1	Sales code:	104L2876
-------------	---------------	----------------------	----------------	-------------	-----------------

Configuration

Motorconfiguration	CSIR
Power supply (nominal)	220-240V/50Hz 1~
Refrigerant	R404A
Application	LBP+MBP
Voltage range	198-254V
Starting torque	HST
Approvals	VDE

Electrical accessories / wiring diagram

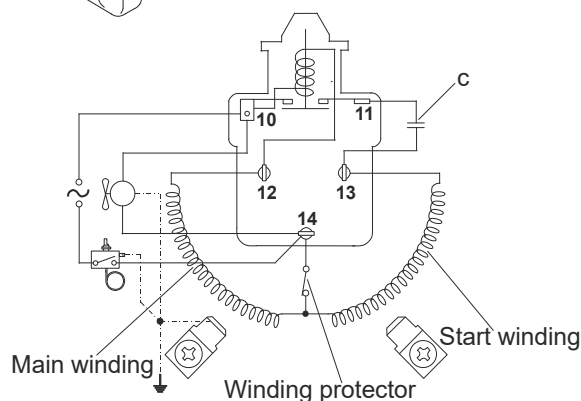
CSIR



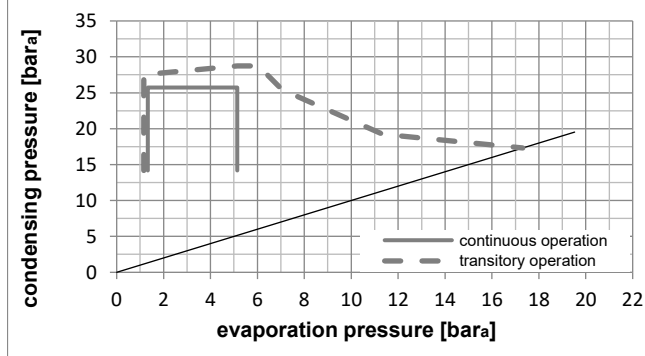
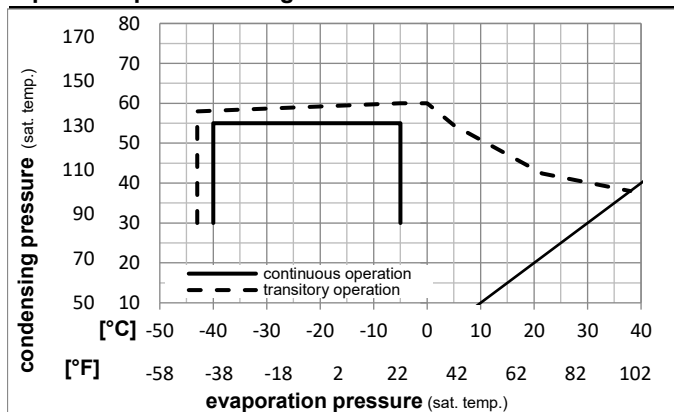
Ambient temperatures / system cooling

Ambient temperature min.:	10°C / 50°F
Ambient temperature max.:	38°C / 101°F

System cooling (n/a: outside limits)			
T ambient	LBP	MBP	HBP
32°C / 90°F	fan 3m/s	fan 3m/s	n/a
38°C / 100°F	fan 3m/s	fan 3m/s	n/a
43°C / 110°F	n/a	n/a	n/a



Operation pressure range



Components (will be pre-assembled)

a2	relay	117U6019
c	start capacitor (80μF)	117U5017
d	cord relief	103N1004
b	plastic cover	103N2009

Model

Designation **SC15CL** **220-240V/50Hz** Conf. 1 Sales code: **104L2876**

Optimization + standard conditions

R404A, 220V/50Hz, CSIR, fan 3m/s, VDE

		Evaporating pressure (saturation temperature)			Condensing pressure (saturation temperature)			Return gas temp.			Liquid temp.			Cooling capacity			COP	EER	Power consumption		
		pe	pc	RGT	Tliq	[W]	[Btu/h]	[kcal/h]	[W/W]	[Btu/Wh]	[kcal/Wh]	P1	I	Current consumption		Ref. mass flow					
[°C]	[°F]	[°C]	[°F]	[°C]	[°F]							[W]	[A]	[A]	[kg/h]						
-23	-10	54	130	32	90	695,3	2375	598,4	1,19	4,08	1,03	582,2	3,55	16,20					ASHRAE LBP		
-25	-13	55	131	32	90	455,8	1557	392,2	0,84	2,85	0,72	545,6	3,44	14,24					cecomaf LBP		
-35	-31	40	104	20	68	354,2	1210	304,8	0,86	2,93	0,74	413,0	3,05	9,62					EN12900 LBP		
-23	-10	49	120	4,4	40	530,1	1811	456,2	0,90	3,06	0,77	591,9	3,61	18,77					ARI540 LBP		
-23	-10	41	105	32	90	804,5	2748	692,4	1,43	4,88	1,23	562,9	3,55	18,75					AHAM LBP		
-35	-31	45	113	32	90	299,5	1023	257,7	0,75	2,56	0,64	400,3	3,05	8,01					opt		

Performance tables

R404A, 220V/50Hz, CSIR, fan 3m/s, VDE

	pe		Cooling capacity			COP	EER	P1	I	m	
	[°C]	[°F]	[W]	[Btu/h]	[kcal/h]	[W/W]	[Btu/Wh]	[kcal/Wh]	[W]	[A]	[kg/h]
[°C / °F]	-40	-40	151,1	516	130,1	0,51	1,73	0,44	298,4	2,83	4,03
cond. pressure	-35	-31	299,5	1023	257,7	0,75	2,56	0,64	400,3	3,05	8,01
pc= 45/113	-30	-22	452,5	1545	389,4	0,93	3,18	0,80	485,2	3,28	12,15
return gas temp.	-25	-13	615,0	2100	529,3	1,10	3,75	0,95	560,0	3,52	16,59
RGT= 32/90	-20	-4	791,9	2705	681,5	1,25	4,28	1,08	631,2	3,77	21,49
liquid temp	-15	5	988,1	3375	850,4	1,40	4,78	1,21	705,7	4,04	26,99
Tliq= 45/113	-5	23	1457,8	4979	1254,6	1,64	5,59	1,41	891,0	4,60	40,53
[°C / °F]	-40	-40	-44,2	-151	-38,0	-0,29	-1,00	-0,25	151,5	2,58	-1,36
cond. pressure	-35	-31	124,0	424	106,7	0,41	1,39	0,35	305,7	2,85	3,84
pc= 55/131	-30	-22	289,1	987	248,8	0,66	2,27	0,57	434,8	3,14	8,98
return gas temp	-25	-13	455,8	1557	392,2	0,84	2,85	0,72	545,6	3,44	14,24
RGT= 32/90	-20	-4	629,1	2148	541,4	0,98	3,33	0,84	644,7	3,75	19,79
liquid temp	-15	5	813,8	2779	700,4	1,10	3,76	0,95	738,9	4,07	25,81
Tliq= 55/131	-5	23	1237,2	4225	1064,7	1,32	4,50	1,13	939,4	4,74	40,04