

**Model**

Designation	<b>SC15CL</b>	<b>220-240V/50Hz 1~</b>	Sales code:	<b>104L2883</b>
-------------	---------------	-------------------------	-------------	-----------------

**Compressor design**

Oil type	Polyolester	Refrigerant(s)	<b>R404A, R507</b>
Oil viscosity	32cSt	Displacement	15,28cm <sup>3</sup> / 0,93cu.in
Oil quantity	550cm <sup>3</sup> / 18,6fl.oz	Compressors on pallet	80
Refr. charge - tech. limit	1300g / 45,9oz		
Free gas volume comp.	1510cm <sup>3</sup> / 51,1fl.oz		
Weight	13,8kg / 30,4lbs		
Motor protection	1# internal		
Winding resistance main	3,7Ω (at 25°C)		
Winding resistance aux	14Ω (at 25°C)		
Max. winding temp.	125°C / 257°F		
Max. discharge temp.	130°C / 266°F		



**General - Configurations with SC15CL**

	<b>Conf. 1</b>
Motorconfiguration	CSIR
Power supply (nominal)	220-240V/50Hz
Number of phases	1
Voltage range	198-254V
Approvals	VDE, CCC, EAC
Starting torque	HST
Note	Compressor with noise optimization kit.

**Applications with SC15CL**

	<b>Conf. 1</b>
Refrigerant	R404A
Application	LBP+MBP
System cooling	fan 3m/s
Hot gas defrost	OK
Long interval pull down	OK

**Electrical data - Configurations with SC15CL**

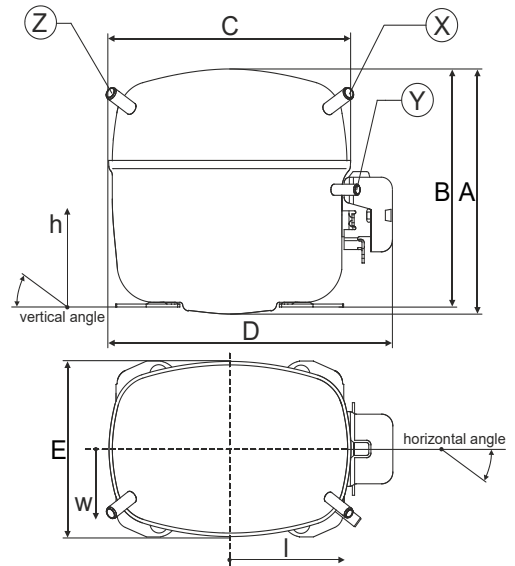
	<b>Conf. 1</b>
Starting device type	relay
Run capacitor	-/-
Start capacitor	80μF
LRA (locked rotor amps / 4s)	20,43A
RLA (rated load amps / 1s)	3,9A
Cut in current	20,43A
IP class	21

**Model**

Designation	<b>SC15CL</b>	<b>220-240V/50Hz 1~</b>	Sales code:	<b>104L2883</b>
-------------	---------------	-------------------------	-------------	-----------------

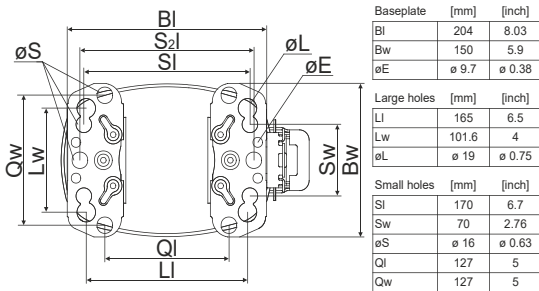
**Compressor dimensions**

<b>Housing</b>	A Height	219mm / 8,62in
	B Height	213mm / 8,39in
	C Length shell	218mm / 8,58in
	D Length w. cover	255mm / 10,04in
	E Width	151mm / 5,94in



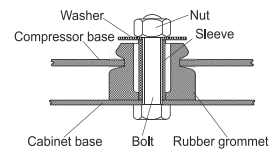
Connectors	Suction		Discharge		Process	
	X		Y		Z	
Diameter [mm]	øi 10,11-10,29		øi 6,11-6,29		øi 6,11-6,29	
(i:inside, o:outside) [in]	øi 0,4-0,41		øi 0,24-0,25		øi 0,24-0,25	
Material	copper		copper		copper	
Horizontal angle ±2°	37°		37°		143°	
Vertical angle ±2°	30°		0°		150°	
Position l/h/w [mm]	107/193/55		115/110/63		-107/193/55	
[in]	4,2/7,6/2,2		4,5/4,3/2,5		-4,2/7,6/2,2	
Straight tube l. [mm]	12		12		12	
[in]	0,5		0,5		0,5	

**Compressor fixation**

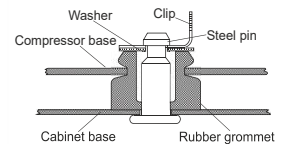


Baseplate	[mm]	[inch]
BI	204	8.03
Bw	150	5.9
øE	ø 9.7	ø 0.38
Large holes		
LI	165	6.5
Lw	101.6	4
øL	ø 19	ø 0.75
Small holes		
SI	170	6.7
Sw	70	2.76
øS	ø 16	ø 0.63
QI	127	5
Qw	127	5

**Bolt joint**



**Snap-on**



Mounting accessories	one comp.	multi pack
Bolt joint   M6   ø16mm	118-1917	118-1918
Bolt joint   ø1/4"   ø16mm	118-1946	
Bolt joint   ø1/4"   ø19mm	118-1949	
Snap-on   ø7,3   ø16mm	118-1947	118-1919

**Model**

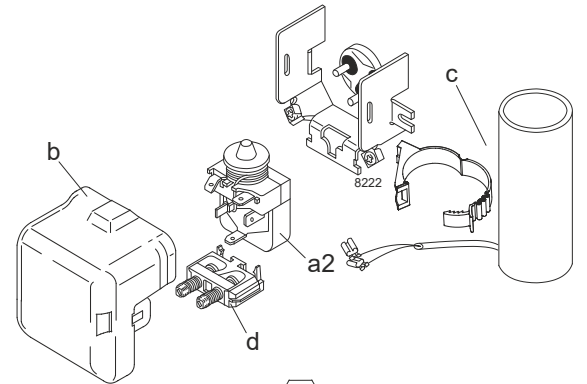
Designation	<b>SC15CL</b>	<b>220-240V/50Hz</b>	<b>Conf. 1</b>	Sales code:	<b>104L2883</b>
-------------	---------------	----------------------	----------------	-------------	-----------------

**Configuration**

Motorconfiguration	CSIR
Power supply (nominal)	220-240V/50Hz 1~
Refrigerant	R404A
Application	LBP+MBP
Voltage range	198-254V
Starting torque	HST
Approvals	VDE CCC EAC

**Electrical accessories / wiring diagram**

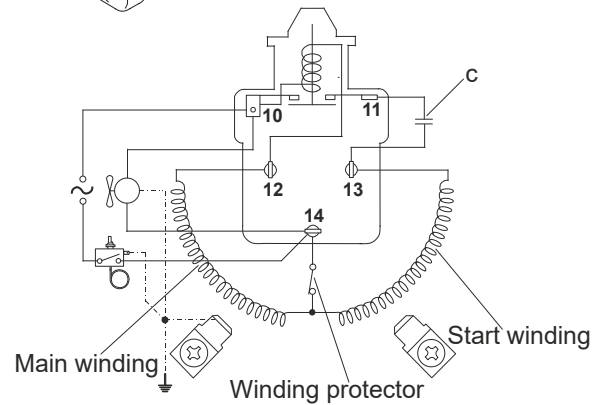
**CSIR**



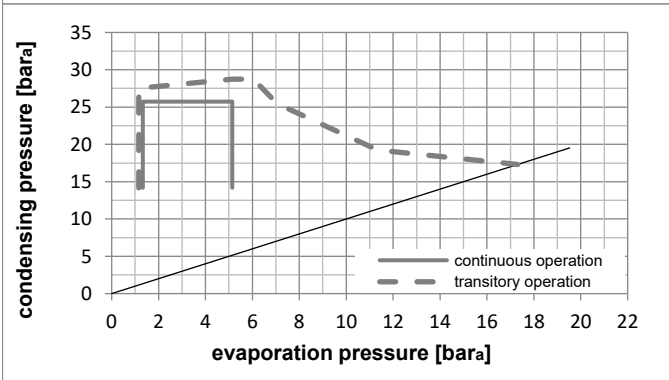
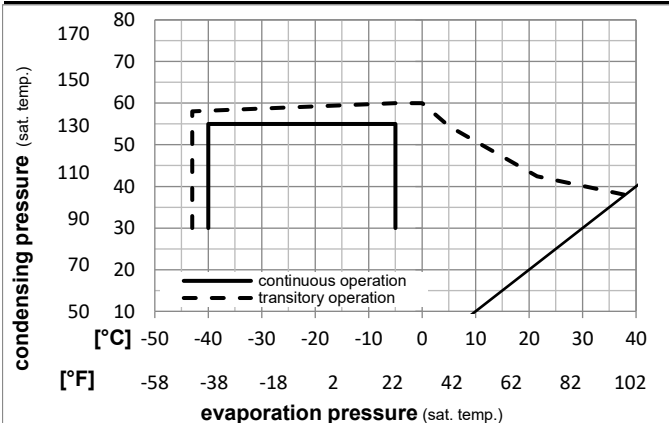
**Ambient temperatures / system cooling**

Ambient temperature min.:	10°C / 50°F
Ambient temperature max.:	38°C / 101°F

System cooling (n/a: outside limits)			
T ambient	LBP	MBP	HBP
32°C / 90°F	fan 3m/s	fan 3m/s	n/a
38°C / 100°F	fan 3m/s	fan 3m/s	n/a
43°C / 110°F	n/a	n/a	n/a



**Operation pressure range**



Components

a2	relay	117U6019
c	start capacitor (80µF)	117U5017
d	cord relief	103N1004
b	plastic cover	103N2008

Alternative components

a2	relay	117U6019
c	start capacitor i-pack 40# (80µF)	117U5067
d	cord relief	103N1004
b	plastic cover	103N2008

**Model**

Designation	<b>SC15CL</b>	<b>220-240V/50Hz</b>	<b>Conf. 1</b>	Sales code:	<b>104L2883</b>
-------------	---------------	----------------------	----------------	-------------	-----------------

**Optimization + standard conditions**

220V/50Hz, CSIR, fan 3m/s, VDE, CCC, EAC

	Evaporating pressure (saturation temperature)				Condensing pressure (saturation temperature)						Power consumption			ASHRAE LBP
	pe	pc	RGT	Tliq	Cooling capacity			COP	EER	P1	I	Ref. mass flow		
	[°C]	[°C]	[°C]	[°C]	[W]	[Btu/h]	[kcal/h]	[W/W]	[Btu/Wh]	[kcal/Wh]	[W]	[A]	[kg/h]	
	-23,3	54,4	32,2	32,2	659,8	2253	567,9	1,21	4,13	1,04	546,0	3,41	15,37	ASHRAE LBP
	[-10]	130	90	90										
	-25	55	32	55	432,5	1477	372,2	0,85	2,89	0,73	511,7	3,30	13,52	cecomaf LBP
	[-13]	131	89,6	131										
	-35	40	20	40	336,1	1148	289,3	0,87	2,96	0,75	387,3	2,93	9,13	EN12900 LBP
	[-31]	104	68	104										
	-23,3	48,9	4,44	48,9	503,1	1718	433,0	0,91	3,10	0,78	555,0	3,46	17,81	ARI540 LBP
	[-10]	120	40	120										
	-23,3	40,6	32,2	32,2	763,5	2607	657,1	1,45	4,94	1,24	527,8	3,41	17,79	AHAM LBP
	[-10]	105	90	90										
	-35	45	32	45	284,2	971	244,6	0,76	2,59	0,65	375,4	2,92	7,60	opt
	[-31]	113	89,6	113										

**Performance tables**

220V/50Hz, CSIR, fan 3m/s, VDE, CCC, EAC

	pe	Cooling capacity			COP	EER	P1	I	m		
	[°C]	[°F]	[W]	[Btu/h]	[kcal/h]	[W/W]	[Btu/Wh]	[kcal/Wh]	[W]	[A]	[kg/h]
[°C / °F]	-40	-40	143,4	490	123,4	0,51	1,75	0,44	279,8	2,71	3,82
cond. pressure	-35	-31	284,2	971	244,6	0,76	2,59	0,65	375,4	2,92	7,60
pc= 45/113	-30	-22	429,4	1466	369,5	0,94	3,22	0,81	455,0	3,15	11,53
return gas temp.	-25	-13	583,6	1993	502,3	1,11	3,80	0,96	525,1	3,38	15,74
RGT= 32/90	-20	-4	751,5	2567	646,8	1,27	4,34	1,09	591,9	3,62	20,39
liquid temp	-15	5	937,7	3203	807,0	1,42	4,84	1,22	661,7	3,87	25,62
Tliq= 45/113	-5	23	1383,5	4725	1190,7	1,66	5,65	1,42	835,5	4,41	38,46
[°C / °F]	-40	-40	-41,9	-143	-36,1	-0,30	-1,01	-0,25	142,0	2,47	-1,29
cond. pressure	-35	-31	117,7	402	101,3	0,41	1,40	0,35	286,7	2,74	3,64
pc= 55/131	-30	-22	274,3	937	236,1	0,67	2,30	0,58	407,8	3,01	8,52
return gas temp	-25	-13	432,5	1477	372,2	0,85	2,89	0,73	511,7	3,30	13,52
RGT= 32/90	-20	-4	597,0	2039	513,8	0,99	3,37	0,85	604,6	3,60	18,78
liquid temp	-15	5	772,3	2638	664,7	1,11	3,81	0,96	692,9	3,90	24,49
Tliq= 55/131	-5	23	1174,1	4010	1010,4	1,33	4,55	1,15	880,9	4,55	38,00