

SC18/18CLX.2 LBP Twin Compressor R404A/R507 220-240V 50Hz

General

Code number	104L4035
Approvals	EN 60335-2-34
Compressors on pallet	18

Application

Application	LBP		
Frequency	Hz	50	60
Evaporating temperature	°C	-45 to -10	-
Voltage range	V	198 - 254	-
Max. condensing temperature continuous (short)	°C	55 (60)	-
Max. winding temperature continuous (short)	°C	125 (135)	-

Cooling requirements

Frequency	Hz	50			60		
Application		LBP	MBP	HBP	LBP	MBP	HBP
32°C		F ₂	-	-	-	-	-
38°C		F ₂	-	-	-	-	-
43°C		F ₂	-	-	-	-	-

Remarks on application: 207-254V above -15°C evaporating temperature.

Motor

Motor type	CSIR		
LRA (rated after 4 sec. UL984) *, HST LST	A	2 x 23.5	-
Cut in Current *, HST LST	A	2 x 23.5	-
Resistance, main start winding (25°C)	Ω	3.3	14.0

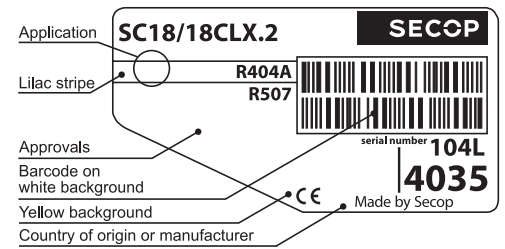
* Operational current for the second compressor time-delayed.

Design

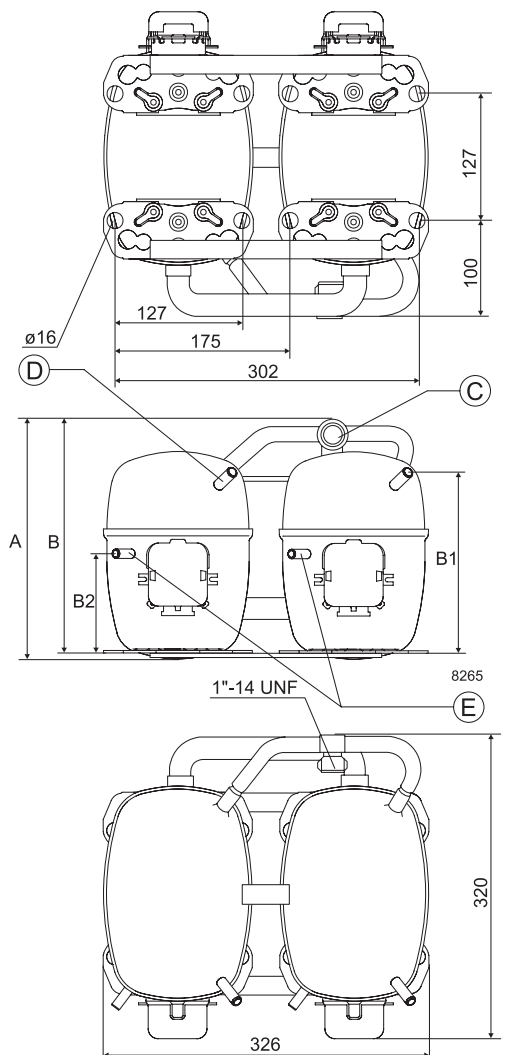
Displacement	cm ³	2 x 17.68
Oil quantity (type)	cm ³	1220 (polyolester)
Maximum refrigerant charge	g	2200
Free gas volume in compressor	cm ³	2920
Weight without electrical equipment	kg	29.1

Dimensions

Height	mm	A	259
		B	254
		B1	193
		B2	110
Suction connector (service valve)	location/I.D. mm	C	16
Suction connector (solder connector)	location/I.D. mm	C	16
Process connector	location/I.D. mm angle	D	6.2 37°
	material comment		Copper Rubber plug
Discharge connector	location/I.D. mm angle	E	6.2 37°
	material comment		Copper Rubber plug
Oil cooler connector	location/I.D. mm angle	F	-
	material comment		-
Connector tolerance	I.D. mm		±0.09
Remarks:			



- S = Static cooling normally sufficient
- O = Oil cooling
- F₁ = Fan cooling 1.5 m/s (compressor compartment temperature equal to ambient temperature)
- F₂ = Fan cooling 3.0 m/s necessary
- SG = Suction gas cooling normally sufficient
- = not applicable in this area

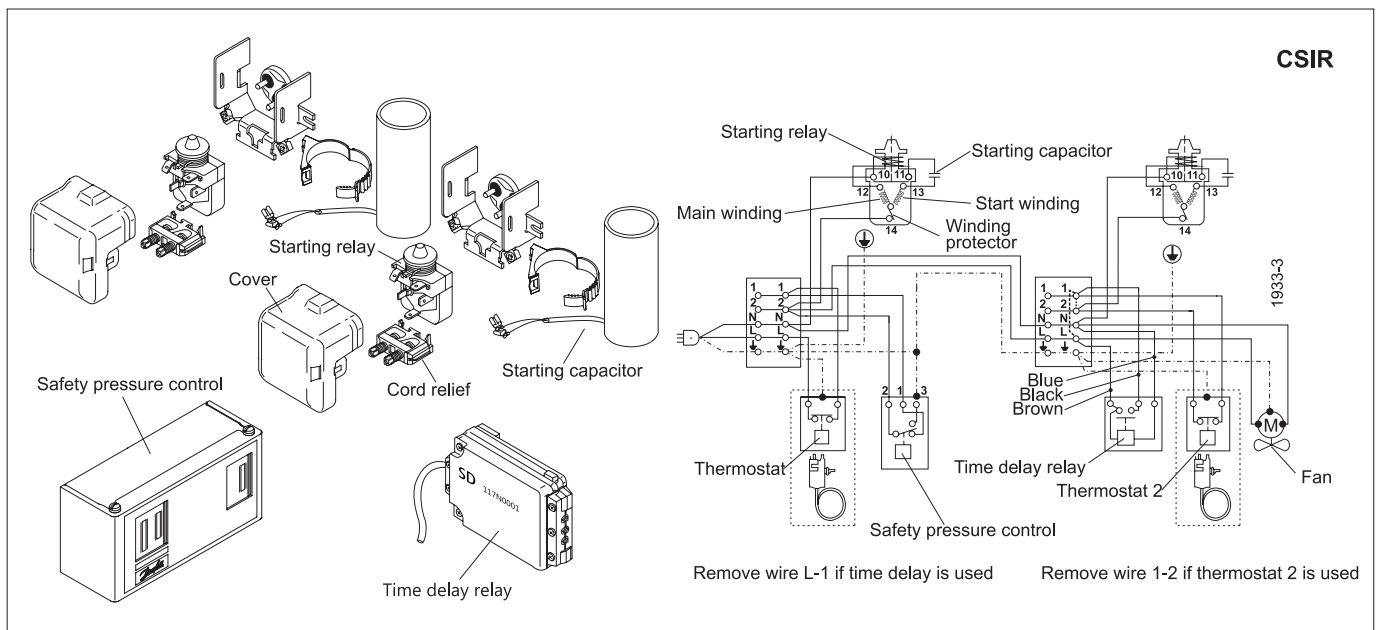


EN 12900 Household (CECOMAF)* 220V, 50Hz, fan cooling F₂

Evap. temp. in °C	-45	-40	-35	-30	-25	-23.3	-20	-15	-10	-6.7	-5	0	5	7.2	10	15	20
Capacity in W	385	607	871	1183	1550	1688	1979	2475	3047								
Power cons. in W	713	871	1027	1184	1343	1399	1509	1684	1872								
Current cons. in A	6.29	6.82	7.37	7.94	8.53	8.74	9.15	9.78	10.44								
COP in W/W	0.55	0.70	0.85	0.99	1.15	1.20	1.30	1.46	1.61								

ASHRAE LBP* 220V, 50Hz, fan cooling F₂

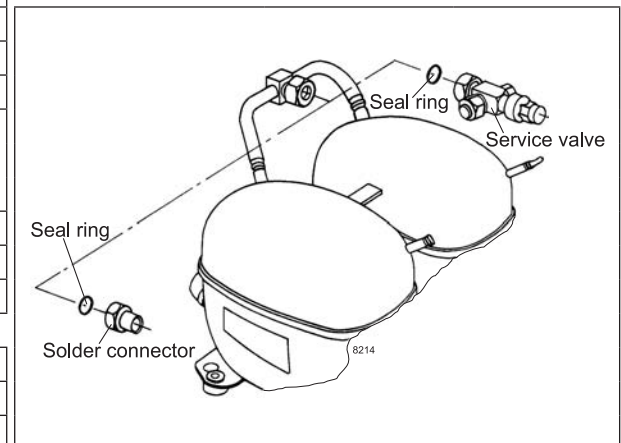
Evap. temp. in °C	-45	-40	-35	-30	-25	-23.3	-20	-15	-10	-6.7	-5	0	5	7.2	10	15	20
Capacity in W	474	730	1036	1399	1826	1987	2325	2905	3573								
Power cons. in W	713	871	1027	1184	1343	1399	1509	1684	1872								
Current cons. in A	6.29	6.82	7.37	7.94	8.53	8.74	9.15	9.78	10.44								
COP in W/W	0.67	0.84	1.01	1.18	1.36	1.42	1.54	1.72	1.91								



Accessories	SC18/18CLX.2	pcs.	Code number
Starting device	470 mm cable length	2	-
	550 mm cable length		-
	650 mm cable length		-
Starting relay	6.3 mm spade connectors	2	117U6013
Start. capacitor 125 µF	6.3 mm spade connectors	2	117U5012
Cover		2	103N2009
Cord relief		2	103N1004
Time-delay relay		1	117N0001
Check valve (to be used with time-delay relay)		2	020-1014
Service valve	12 mm	1	-
Solder connector (alternative)	12 mm	1	-
Service valve	16 mm	1	118-7351
Solder connector (alternative)	16 mm	1	118-7405
Seal ring for service valve and solder connector		1	118-3638

Mounting accessories		pcs.	Code number
Bolt joint for one compressor	Ø: 16 mm	2	118-1917
Bolt joint in quantities	Ø: 16 mm	2	118-1918

Test conditions	EN 12900/CECOMAF*	ASHRAE LBP*
Condensing temperature	45°C	43.3°C
Ambient temperature	32°C	32°C
Suction gas temperature	32°C	32°C
Liquid temperature	no subcooling	32°C



Secop accepts no responsibility for possible errors in catalogs, brochures, and other printed material. Secop reserves the right to alter its products without notice. This also applies to products already on order provided that such alterations can be made without substantial changes being necessary to specifications already agreed. All trademarks in this material are the property of the respective companies. Secop and the Secop logotype are trademarks of Secop GmbH. All rights reserved. www.secop.com