

Model

Designation	SC18MLX	220-240V/50Hz 1~	Sales code:	104L2139
-------------	----------------	------------------	-------------	-----------------

Compressor design

Oil type	Polyolester	Refrigerant(s)	R404A, R507
Oil viscosity	32cST	Displacement	17,69cm ³ / 1,08cu.in
Oil quantity	550cm ³ / 18,6fl.oz	Compressors on pallet	80
Refr. charge - tech. limit	1300g / 45,9oz		
Free gas volume comp.	1460cm ³ / 49,4fl.oz		
Weight	14kg / 30,9lbs		
Motor protection	1# internal		
Winding resistance main	3,4Ω (at 25°C)		
Winding resistance aux	14,4Ω (at 25°C)		
Max. winding temp.	125°C / 257°F		
Max. discharge temp.	135°C / 275°F		



General - Configurations with SC18MLX

	Conf. 1
Motorconfiguration	CSCR
Power supply (nominal)	220-240V/50Hz
Number of phases	1
Voltage range	198-254V
Approvals	CCC, VDE, EAC
Starting torque	HST
Note	- / -

Applications with SC18MLX

	Conf. 1
Refrigerant	R404A
Application	MBP
System cooling	fan 3m/s
Hot gas defrost	OK
Long interval pull down	OK

Electrical data - Configurations with SC18MLX

	Conf. 1
Starting device type	relay
Run capacitor	10μF
Start capacitor	80μF
LRA (locked rotor amps / 4s)	
RLA (rated load amps / 1s)	-/A
Cut in current	

Model

Designation

SC18MLX

220-240V/50Hz 1~

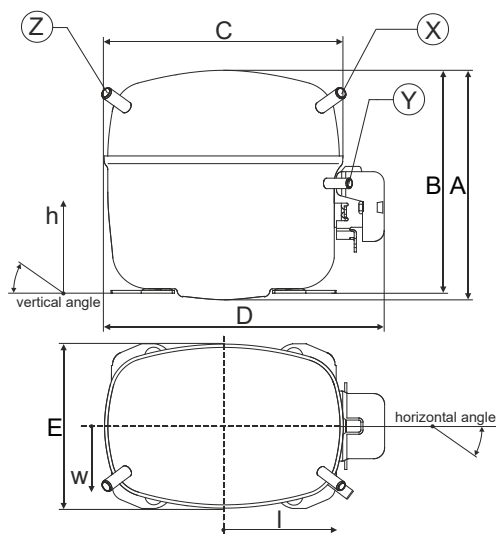
Sales code:

104L2139

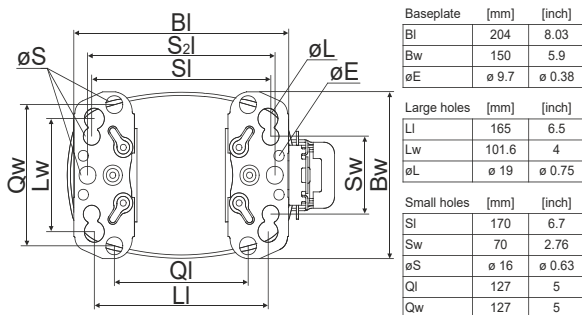
Compressor dimensions

Housing	A Height	219mm / 8,62in
	B Height	213mm / 8,39in
	C Length shell	218mm / 8,58in
	D Length w. cover	255mm / 10,04in
	E Width	151mm / 5,94in

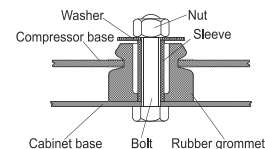
Connectors	Suction X	Discharge Y	Process Z
Diameter [mm]	øi 10,11-10,29	øi 6,11-6,29	øi 6,11-6,29
(i:inside, o:outside) [in]	øi 0,4-0,41	øi 0,24-0,25	øi 0,24-0,25
Material	copper	copper	copper
Horizontal angle ±2°	37°	37°	143°
Vertical angle ±2°	30°	0°	150°
Position l/h/w [mm]	107/193/55	115/110/63	-107/193/55
[in]	4,2/7,6/2,2	4,5/4,3/2,5	-4,2/7,6/2,2
Straight tube l. [mm]	12	12	12
[in]	0,5	0,5	0,5



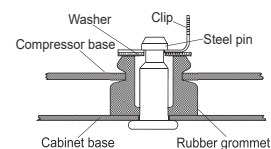
Compressor fixation



Bolt joint



Snap-on



Mounting accessories

	one comp.	multi pack
Bolt joint M6 ø16mm	118-1917	118-1918
Bolt joint ø1/4" ø16mm	118-1946	
Bolt joint ø1/4" ø19mm	118-1949	
Snap-on ø7,3 ø16mm	118-1947	118-1919

Application notes

Provision for PE Grounding is located at the PE Stamp on the compressor

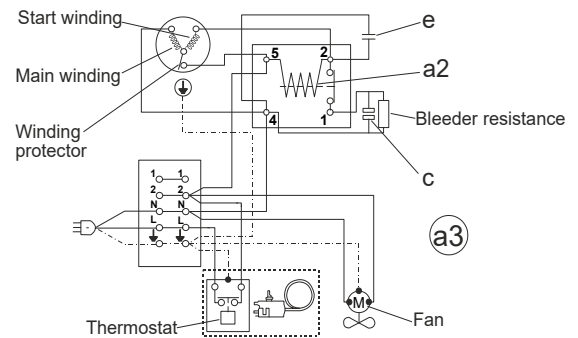
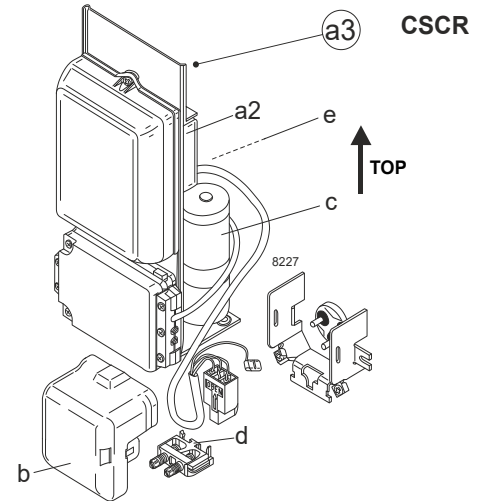
Model

Designation	SC18MLX	220-240V/50Hz	Conf. 1	Sales code:	104L2139
-------------	----------------	----------------------	----------------	-------------	-----------------

Configuration

Motorconfiguration	CSCR
Power supply (nominal)	220-240V/50Hz 1~
Refrigerant	R404A
Application	MBP
Voltage range	198-254V
Starting torque	HST
Approvals	CCC VDE EAC

Electrical accessories / wiring diagram

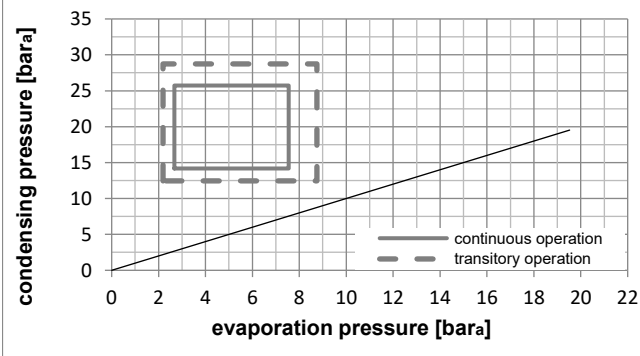
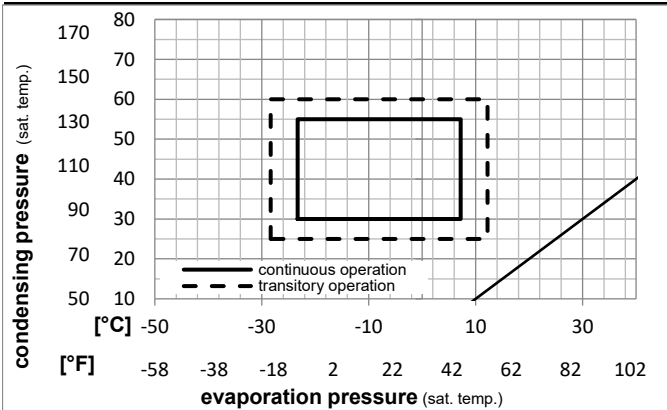


Ambient/ machine room temperatures minimum /maximum

Ambient temperature range:	10 - 38°C / 50 - 101°F
Machine room temperature range:	10 - 43°C / 50 - 110°F
Compressor cooling:	fan 3m/s

Operation Limits

Operation pressure range



Components

a3	SC starter kit (550mm)	117-7027
b	plastic cover	103N2009
d	cord relief	103N1004

Alternative components

a3	SC starter kit (1000mm)	117-7040
a3	SC starter kit (650mm)	117-7046
c	start capacitor (80µF)	117U5373
e	run capacitor (10µF, 6.3mm)	117-7112

Model

Designation **SC18MLX 220-240V/50Hz** Conf. 1 Sales code: **104L2139**

Optimization + standard conditions

R404A, 220V/50Hz, CSCR, fan 3m/s, CCC, VDE, EAC

		Evaporating pressure (saturation temperature)				Condensing pressure (saturation temperature)			Return gas temp.			Liquid temp.			Cooling capacity			COP	EER	Power consumption			
		pe	pc	RGT	Tliq	[W]	[Btu/h]	[kcal/h]	[W/W]	[Btu/Wh]	[kcal/Wh]	P1	I	m	[W]	[A]	[kg/h]						
[°C]	[°F]																						
-7	20	54	130	35	95	46	115	1604,9	5481	1381,2	1,64	5,62	1,42	976,0	4,91	44,16	ASHRAE MBP						
-10	14	55	131	32	90	55	131	1195,4	4083	1028,8	1,29	4,41	1,11	925,5	4,67	38,27	cecomaf MBP						
-10	14	45	113	20	68	45	113	1410,5	4817	1213,9	1,64	5,60	1,41	860,1	4,40	42,49	EN12900 MBP						
-7	20	49	120	18	65	49	120	1467,0	5010	1262,5	1,58	5,38	1,36	931,0	4,73	47,93	ARI540 MBP						
-10	14	45	113	32	90	45	113	1496,9	5112	1288,3	1,74	5,94	1,50	860,1	4,40	41,22	opt						
-25	-13	45	113	32	90	45	113	766,6	2618	659,7	1,17	4,01	1,01	653,0	3,47	20,68	opt						

Performance tables

R404A, 220V/50Hz, CSCR, fan 3m/s, CCC, VDE, EAC

	pe		Cooling capacity			COP	EER	P1	I	m	
	[°C]	[°F]	[W]	[Btu/h]	[kcal/h]	[W/W]	[Btu/Wh]	[kcal/Wh]	[W]	[A]	[kg/h]
[°C / °F]	-23	-10	830,9	2838	715,1	1,23	4,20	1,06	676,3	3,57	22,46
cond. pressure	-20	-4	968,4	3307	833,4	1,34	4,58	1,16	721,5	3,76	26,27
pc= 45/113	-15	5	1210,5	4134	1041,7	1,53	5,23	1,32	790,4	4,07	33,07
return gas temp.	-10	14	1496,9	5112	1288,3	1,74	5,94	1,50	860,1	4,40	41,22
RGT= 32/90	-5	23	1832,1	6257	1576,7	1,97	6,72	1,69	931,2	4,75	50,93
liquid temp	0	32	2220,1	7582	1910,6	2,21	7,55	1,90	1004,2	5,12	62,41
Tliq= 45/113	7,2	45	2880,2	9836	2478,7	2,59	8,83	2,23	1113,9	5,69	82,59
[°C / °F]	-23	-10	662,0	2261	569,8	0,94	3,21	0,81	705,1	3,71	20,74
cond. pressure	-20	-4	770,5	2631	663,1	1,01	3,46	0,87	759,8	3,94	24,24
pc= 55/131	-15	5	963,7	3291	829,4	1,14	3,91	0,98	842,5	4,29	30,56
return gas temp	-10	14	1195,4	4083	1028,8	1,29	4,41	1,11	925,5	4,67	38,27
RGT= 32/90	-5	23	1469,8	5020	1264,9	1,46	4,97	1,25	1009,2	5,06	47,57
liquid temp	0	32	1791,1	6117	1541,4	1,64	5,59	1,41	1094,3	5,48	58,73
Tliq= 55/131	7,2	45	2344,6	8007	2017,8	1,92	6,56	1,65	1220,1	6,12	78,68