

SC18MNX MBP Compressor R290 220-240V 50Hz

General

Code number	104H8875
Approvals	EN 60335-2-34, CCC, EAC
Compressors on pallet	80

Application

Application	MBP		
Frequency	Hz	50	60
Evaporating temperature	°C	-25 to 10	-
Voltage range	V	198 - 254	-
Max. condensing temperature continuous (short)	°C	55 (65)	-
Max. winding temperature continuous (short)	°C	125 (135)	-

Cooling requirements

Frequency	Hz	50			60		
Application		LBP	MBP	HBP	LBP	MBP	HBP
32°C		-	F ₂	-	-	-	-
38°C		-	F ₂	-	-	-	-
43°C		-	F ₂	-	-	-	-
Remarks on application:							

Motor

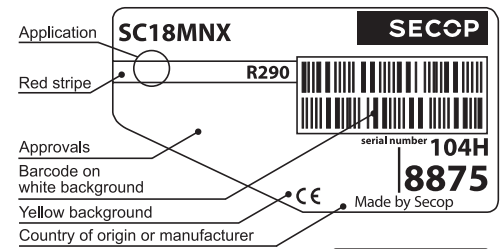
Motor type	CSIR		
LRA (rated after 4 sec. UL984), HST LST	A	23.4	-
Cut in Current, HST LST	A	23.6	-
Resistance, main start winding (25°C)	Ω	3.4	14.4

Design

Displacement	cm ³	17.69
Oil quantity (type)	cm ³	550 (polyolester)
Maximum refrigerant charge	g	150
Free gas volume in compressor	cm ³	1460
Weight without electrical equipment	kg	14.0

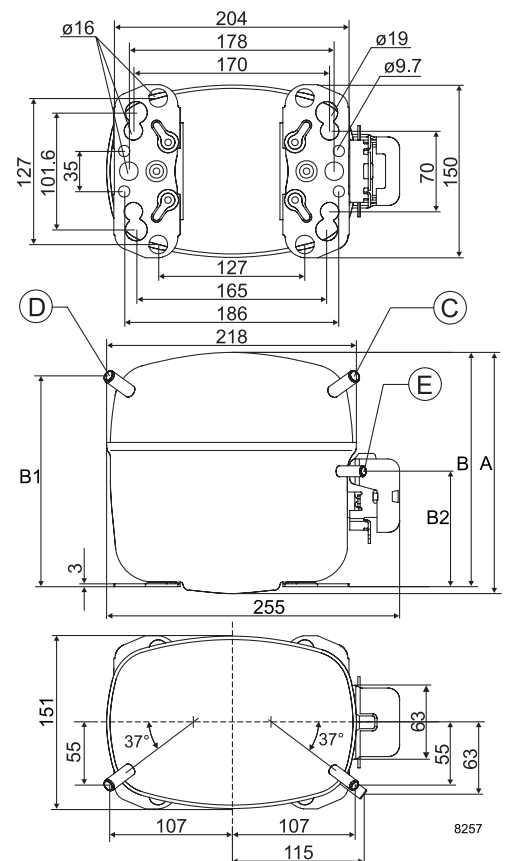
Dimensions

Height	mm	A	219
		B	213
		B1	193
		B2	110
Suction connector	location/I.D. mm angle	C	8.2 37°
	material comment		Copper Rubber plug
Process connector	location/I.D. mm angle	D	6.2 37°
	material comment		Copper Rubber plug
Discharge connector	location/I.D. mm angle	E	6.2 37°
	material comment		Copper Rubber plug
Oil cooler connector	location/I.D. mm angle	F	-
	material comment		-
Connector tolerance	I.D. mm		±0.09
Remarks:			



Yellow warning label

- S = Static cooling normally sufficient
- O = Oil cooling
- F₁ = Fan cooling 1.5 m/s
(compressor compartment temperature equal to ambient temperature)
- F₂ = Fan cooling 3.0 m/s necessary
- SG = Suction gas cooling normally sufficient
- = not applicable in this area



EN 12900 MBP

220V, 50Hz, fan cooling F₂

Evap. temp. in °C	-45	-40	-35	-30	-25	-23.3	-20	-15	-10	-6.7	-5	0	5	7.2	10	15	20
Capacity in W					675	730	844	1039	1263	1428	1519	1810	2140	2298	2512		
Power cons. in W					544	567	608	662	709	736	749	785	818	833	851		
Current cons. in A					3.91	3.96	4.06	4.22	4.38	4.49	4.54	4.71	4.87	4.95	5.04		
COP in W/W					1.24	1.29	1.39	1.57	1.78	1.94	2.03	2.31	2.61	2.76	2.95		

EN 12900 Household

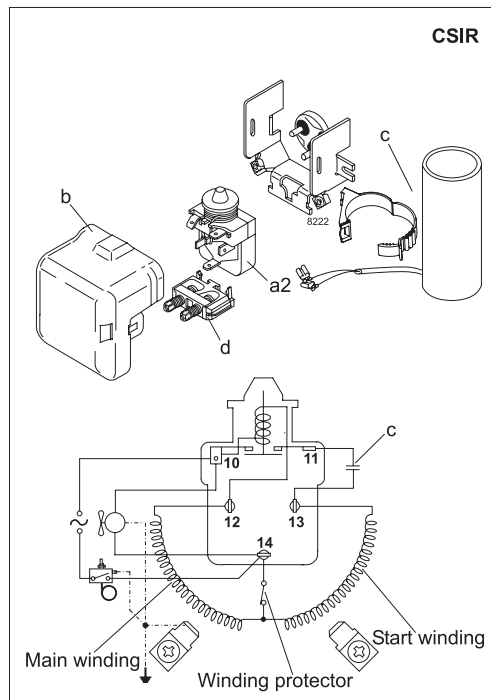
220V, 50Hz, fan cooling F₂

Evap. temp. in °C	-45	-40	-35	-30	-25	-23.3	-20	-15	-10	-6.7	-5	0	5	7.2	10	15	20
Capacity in W					569	618	719	891	1088	1232	1312	1567	1857	1996	2184		
Power cons. in W					547	578	634	709	774	813	831	882	927	946	970		
Current cons. in A					3.96	4.03	4.17	4.38	4.60	4.75	4.82	5.05	5.27	5.37	5.50		
COP in W/W					1.28	1.32	1.40	1.55	1.74	1.88	1.95	2.20	2.49	2.62	2.80		

ASHRAE HBP/MBP

220V, 50Hz, fan cooling F₂

Evap. temp. in °C	-45	-40	-35	-30	-25	-23.3	-20	-15	-10	-6.7	-5	0	5	7.2	10	15	20
Capacity in W					625	679	790	979	1195	1355	1442	1724	2044	2198	2406		
Power cons. in W					547	578	633	707	771	808	826	876	921	939	962		
Current cons. in A					3.95	4.02	4.16	4.37	4.59	4.73	4.81	5.03	5.25	5.35	5.48		
COP in W/W					1.14	1.18	1.25	1.39	1.55	1.68	1.75	1.97	2.22	2.34	2.50		



Accessories for	SC18MNX	Figure	Code number
PTC starting device	6.3 mm spade connectors	-	-
	4.8 mm spade connectors	-	-
Starting relay	6.3 mm spade connectors	a2	117U7011
Cover		b	103N2008
Start. capacitor 80 µF	6.3 mm spade connectors	c	117U5017
Cord relief		d	103N1004
Protection screen for PTC		-	-

Test conditions	EN 12900		ASHRAE HBP/MBP
	MBP	Household	
Condensing temp.	45°C	55°C	54.4°C
Ambient temperature	32°C	32°C	35°C
Suction gas temp.	20°C	32°C	35°C
Liquid temperature	no subcooling		46.1°C

Mounting accessories	Code number
Bolt joint for one comp.	Ø: 16 mm 118-1917
Bolt joint in quantities	Ø: 16 mm 118-1918
Snap-on in quantities	Ø: 16 mm 118-1919

Secop accepts no responsibility for possible errors in catalogs, brochures, and other printed material. Secop reserves the right to alter its products without notice. This also applies to products already on order provided that such alterations can be made without subsequential changes being necessary to specifications already agreed. All trademarks in this material are the property of the respective companies. Secop and the Secop logotype are trademarks of Secop GmbH. All rights reserved. www.secop.com