

TFS4.5CLX LBP Compressor R404A/R507 115 - 127V 60Hz

General

Code number	102U2103
Approvals	UL984
Compressors on pallet	125

Application

Application	LBP			
Frequency	Hz	50	60	
Evaporating temperature	°F	-	-49 to 20	
Voltage range	V	-	103 - 135	
Max. condensing temperature continuous (short)	°F	-	120 (135)	
Max. winding temperature continuous (short)	°F	-	257 (275)	

Cooling requirements

Frequency	Hz	50			60		
Application		LBP	MBP	HBP	LBP	MBP	HBP
90°F		-	-	-	F ₁	-	-
100°F		-	-	-	F ₁	-	-
110°F		-	-	-	F ₁	-	-
Remarks on application:							

Motor

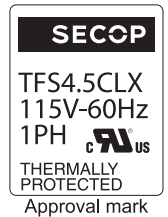
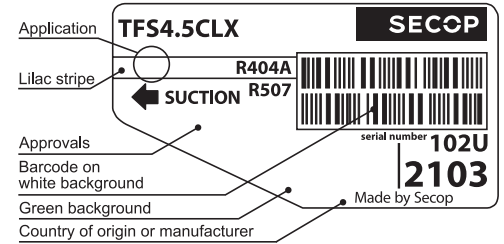
Motor type	CSIR		
LRA (rated after 4 sec. UL984), HST LST	A	20.0	-
Cut in Current, HST LST	A	20.0	-
Resistance, main start winding (77°F)	Ω	2.6	3.8

Design

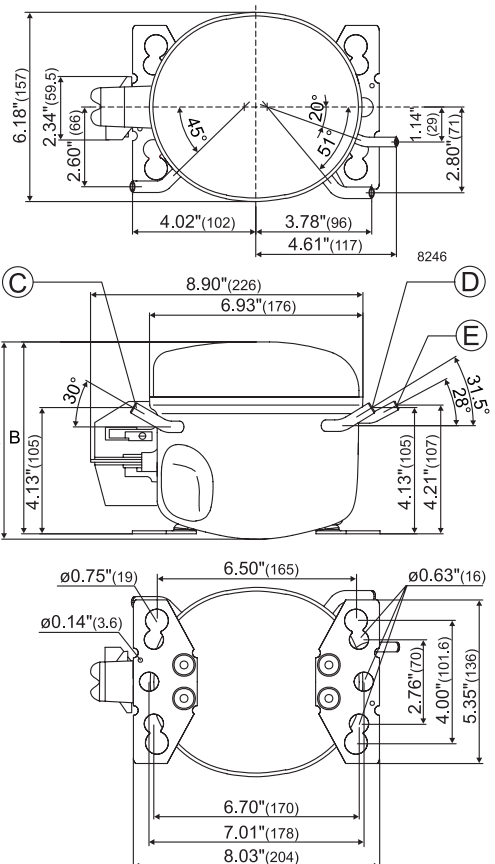
Displacement	cu.in	0.29
Oil quantity (type)	fl.oz.	9.5 (polyolester)
Maximum refrigerant charge	oz.	14.0
Free gas volume in compressor	fl.oz.	57.3
Weight without electrical equipment	lbs.	17.9

Dimensions

Height	inch	A	6.81
		B	6.65
		B1	-
		B2	-
Suction connector	location, I.D. in. angle	C	0.252-0.259 30°
	material comment		Copper Rubber plug
Process connector	location, I.D. in. angle	D	0.252-0.259 31.5°
	material comment		Copper Rubber plug
Discharge connector	location, I.D. in. angle	E	0.189-0.193 28°
	material comment		Copper Rubber plug
Oil cooler connector	location, I.D. in. angle	F	-
	material comment		-
Remarks:			



- S = Static cooling normally sufficient
- O = Oil cooling
- F₁ = Fan cooling 1.5 m/s (compressor compartment temperature equal to ambient temperature)
- F₂ = Fan cooling 3.0 m/s necessary
- SG = Suction gas cooling normally sufficient
- = not applicable in this area



ASHRAE LBP

115V, 60Hz, fan cooling F₁

Evap. temp. in °F	-49	-40	-30	-20	-13	-10	0	10	14	20	30	32	40	45	50	59	68
Capacity in BTU/h	210	332	494	690	851	926	1207	1539	1688	1930							
Power cons. in W	100	130	161	194	217	228	266	310	329	360							
Current cons. in A	2.18	2.26	2.40	2.60	2.76	2.84	3.14	3.48	3.64	3.88							
EER in BTU/Wh	2.10	2.56	3.06	3.56	3.91	4.06	4.53	4.97	5.68	5.36							

ASHRAE LBP*

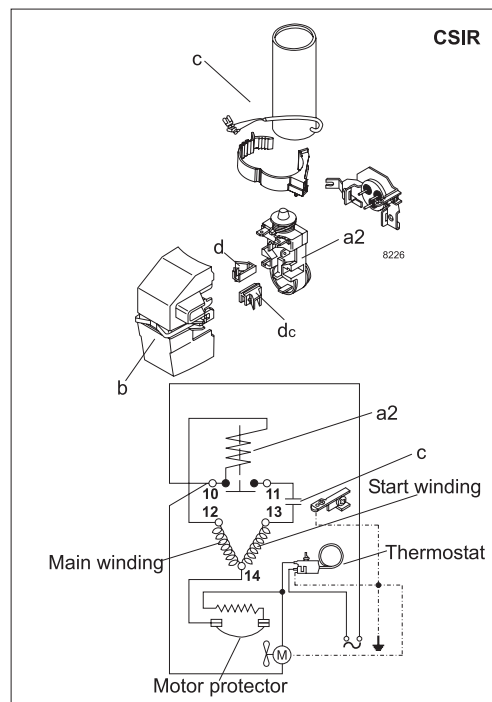
115V, 60Hz, fan cooling F₁

Evap. temp. in °F	-49	-40	-30	-20	-13	-10	0	10	14	20	30	32	40	45	50	59	68
Capacity in BTU/h	289	407	569	769	933	1010	1298	1637	1789	2034							
Power cons. in W	113	135	160	186	206	215	250	291	309	340							
Current cons. in A	2.23	2.29	2.39	2.55	2.70	2.76	3.03	3.34	3.48	3.70							
EER in BTU/Wh	2.55	3.01	3.56	4.14	4.53	4.69	5.20	5.63	5.78	5.98							

EN 12900 Household (CECOMAF)

115V, 60Hz, fan cooling F₁

Evap. temp. in °F	-49	-40	-30	-20	-13	-10	0	10	14	20	30	32	40	45	50	59	68
Capacity in W	67	100	141	192	233	252	325	410	448	509							
Power cons. in W	109	134	160	187	207	217	251	292	311	342							
Current cons. in A	2.21	2.28	2.39	2.55	2.70	2.77	3.04	3.35	3.49	3.72							
COP in W/W	0.62	0.75	0.89	1.03	1.13	1.17	1.29	1.40	1.44	1.49							



Accessories for TFS4.5CLX	Figure	Code number
Starting relay 1/4 in. spade connect.	a2	117U4148
Protector 3/4 in. Texas Instruments		MRP36EN-6
Cover	b	117U1021
Start. capacitor 280 µF 1/4 in. spade connect.	c	117U5025
Cord relief	d	117U0349
Cord relief for capacitor	dc	117U0349

Test conditions	ASHRAE LBP	ASHRAE LBP*	EN 12900/CECOMAF
Condensing temp.	130°F	110°F	113°F
Ambient temp.	90°F	90°F	90°F
Suction gas temp.	90°F	90°F	90°F
Liquid temperature	90°F	90°F	113°F

Mounting accessories	Code number
Bolt joint for one comp. Ø: 5/8 in.	118-1917
Bolt joint in quantities Ø: 5/8 in.	118-1918
Snap-on in quantities Ø: 5/8 in.	118-1919

Secop accepts no responsibility for possible errors in catalogs, brochures, and other printed material. Secop reserves the right to alter its products without notice. This also applies to products already on order provided that such alterations can be made without subsequential changes being necessary to specifications already agreed. All trademarks in this material are the property of the respective companies. Secop and the Secop logotype are trademarks of Secop GmbH. All rights reserved. www.secop.com