

Model

Designation	TL4G	220-240V/60Hz 1~ 220-240V/50Hz 1~	Sales code:	102G4463
-------------	-------------	--	-------------	-----------------

Compressor design

Oil type	Polyolester	Refrigerant(s)	R134a
Oil viscosity	15cSt	Displacement	3,86cm ³ / 0,24cu.in
Oil quantity	285cm ³ / 9,7fl.oz	Compressors on pallet	80
Refr. charge - tech. limit	400g / 14,1oz		
Free gas volume comp.	1690cm ³ / 57,1fl.oz		
Weight	7,5kg / 16,5lbs		
Motor protection	1# internal		
Winding resistance main	15,54Ω (at 25°C)		
Winding resistance aux	16,35Ω (at 25°C)		
Max. winding temp.	125°C / 257°F		
Max. discharge temp.	125°C / 257°F		



General - Configurations with TL4G

	Conf. 1	Conf. 2
Motorconfiguration	CSIR	CSIR
Power supply (nominal)	220-240V/50Hz	208-230V/60Hz
Number of phases	1	1
Voltage range	187-254V	198-254V
Approvals	VDE, UL, CCC	VDE, UL, CCC
Starting torque	HST	HST
Note	Electrical equipment is included and pre-assembled to compressor.	

Applications with TL4G

	Conf. 1	Conf. 2
Refrigerant	R134a	R134a
Application	LBP+MBP+HBP	LBP
System cooling	static	static
Hot gas defrost	OK	OK
Long interval pull down	OK	OK

Electrical data - Configurations with TL4G

	Conf. 1	Conf. 2
Starting device type	relay	relay
Run capacitor	-/-	-/-
Start capacitor	60μF	60μF
LRA (locked rotor amps / 4s)	#NV	#NV
RLA (rated load amps / 1s)	#NV	#NV
Cut in current	#NV	#NV
IP class	21	21

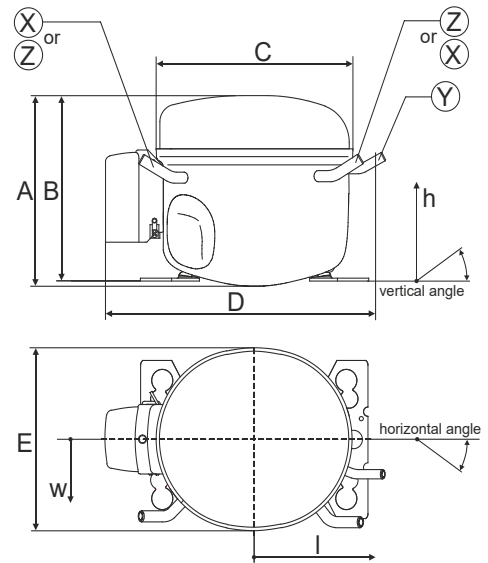
Model

Designation	TL4G	220-240V/60Hz 1~ 220-240V/50Hz 1~	Sales code:	102G4463
-------------	-------------	--	-------------	-----------------

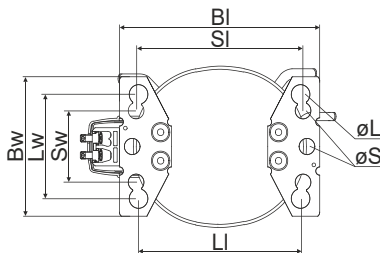
Compressor dimensions

Housing	A Height	174mm / 6,85in
	B Height	168mm / 6,61in
	C Length shell	176mm / 6,93in
	D Length w. cover	222mm / 8,74in
	E Width	156mm / 6,14in

Connectors		Suction	Discharge	Process
		X	Y	Z
Diameter	[mm]	øi 6,41-6,59	øi 5,12-5,22	øi 6,41-6,59
(i:inside, o:outside)	[in]	øi 0,25-0,26	øi 0,2-0,21	øi 0,25-0,26
Material		copper	copper	copper
Horizontal angle	±2°	0°	0°	0°
Vertical angle	±2°	150°	28°	31,5°
Position l/h/w	[mm]	-102/105/66	117/108/30	95/105/71
	[in]	-4/4,1/2,6	4,6/4,3/1,2	3,7/4,1/2,8
Straight tube l.	[mm]	12	12	12
	[in]	0,5	0,5	0,5

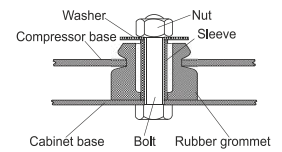


Compressor fixation

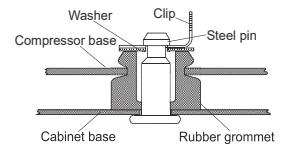


Baseplate	[mm]	[inch]
BI	204	8.03
BW	136	5.35
Large holes	[mm]	[inch]
LI	165	6.5
Lw	101.6	4
øL	ø 19	ø 0.75
Small holes	[mm]	[inch]
SI	170	6.7
Sw	70	2.76
øS	ø 16	ø 0.63

Bolt joint



Snap-on



Mounting accessories	one comp.	multi pack
Bolt joint M6 ø16mm	118-1917	118-1918
Bolt joint ø1/4" ø16mm	118-1946	
Bolt joint ø1/4" ø19mm	118-1949	
Snap-on ø7,3 ø16mm	118-1947	118-1919

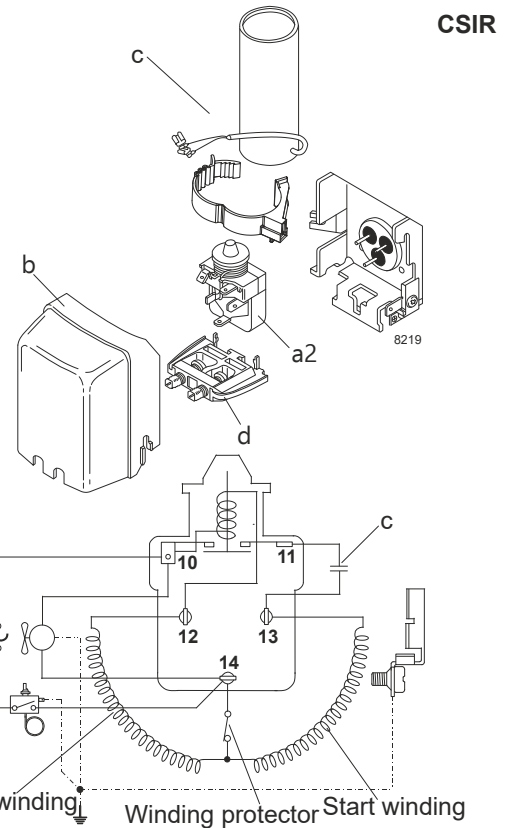
Model

Designation	TL4G	220-240V/50Hz	Conf. 1	Sales code:	102G4463
-------------	-------------	----------------------	----------------	-------------	-----------------

Configuration

Motorconfiguration	CSIR
Power supply (nominal)	220-240V/50Hz 1~
Refrigerant	R134a
Application	LBP+MBP+HBP
Voltage range	187-254V
Starting torque	HST
Approvals	VDE
	UL SA3693
	CCC

Electrical accessories / wiring diagram

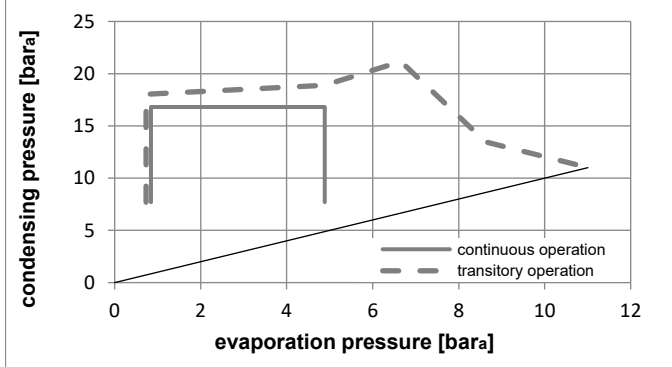
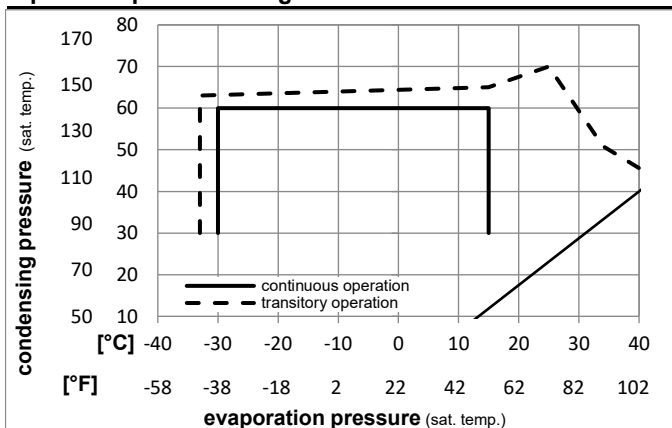


Ambient temperatures / system cooling

Ambient temperature min.:	10°C / 50°F
Ambient temperature max.:	43°C / 110°F

System cooling (n/a: outside limits)			
T ambient	LBP	MBP	HBP
32°C / 90°F	static	static	fan 3m/s
38°C / 100°F	static	static	fan 3m/s
43°C / 110°F	static	static	fan 3m/s

Operation pressure range



Components (already pre-assembled)

a2	current relay	117U6004
c	start capacitor (60μF)	117U5014
d	cord relief	103N1010
b	plastic cover	103N2011

Model

Designation **TL4G 220-240V/50Hz** Conf. 1 Sales code: **102G4463**

Optimization + standard conditions

220-240V/50Hz 1~, CSIR, static, VDE, UL, CCC

	Evaporating pressure (saturation temperature)				Condensing pressure (saturation temperature)			Return gas temp.			Liquid temp.			Cooling capacity			COP			EER			Power consumption			ASHRAE LBP
	pe	pc	RGT	Tliq	[W]	[Btu/h]	[kcal/h]	[W/W]	[Btu/Wh]	[kcal/Wh]	P1	I	m	[W]	[A]	[kg/h]	ASHRAE LBP									
[°C]	-23,3	54,4	32,2	32,2	80,8	276	69,6	0,94	3,19	0,81	86,4	0,85	1,57													
[°F]	-10	130	90	90																						
[°C]	-25	55	32	55	58,3	199	50,2	0,70	2,41	0,61	82,7	0,84	1,39													
[°F]	-13	131	89,6	131																						
[°C]	-35	40	20	40	41,4	141	35,6	0,63	2,16	0,54	65,6	0,81	0,91													
[°F]	-31	104	68	104																						
[°C]	-6,66	54,4	35	46,1	183,8	628	158,2	1,47	5,00	1,26	125,4	0,95	4,01													
[°F]	20	130	95	115																						
[°C]	-10	55	32	55	140,3	479	120,8	1,19	4,06	1,02	118,0	0,93	3,39													
[°F]	14	131	89,6	131																						
[°C]	-10	45	20	45	161,9	553	139,3	1,45	4,97	1,25	111,3	0,91	3,79													
[°F]	14	113	68	113																						

Performance tables

220-240V/50Hz 1~, CSIR, static, VDE, UL, CCC

	pe	Cooling capacity			COP			EER			P1	I	m
	[°C]	[°F]	[W]	[Btu/h]	[kcal/h]	[W/W]	[Btu/Wh]	[kcal/Wh]	[W]	[A]	[kg/h]		
[°C / °F]	-30	-22	53,2	182	45,8	0,73	2,49	0,63	73,0	0,82	1,15		
cond. pressure	-23,3	-10	81,9	280	70,5	0,96	3,27	0,82	85,7	0,85	1,78		
pc= 45/113	-15	5	130,7	446	112,5	1,28	4,39	1,11	101,8	0,88	2,85		
return gas temp.	-9,4	15	172,5	589	148,5	1,54	5,24	1,32	112,4	0,91	3,78		
RGT= 32/90	0	32	263,5	900	226,8	2,03	6,94	1,75	129,7	0,96	5,83		
liquid temp	4,4	40	316,0	1079	271,9	2,30	7,86	1,98	137,3	0,99	7,03		
Tliq= 45/113	15	59	468,8	1601	403,5	3,05	10,43	2,63	153,6	1,06	10,62		
[°C / °F]	-30	-22	40,8	139	35,1	0,57	1,94	0,49	71,7	0,82	0,97		
cond. pressure	-23,3	-10	65,1	222	56,0	0,75	2,57	0,65	86,5	0,85	1,56		
pc= 55/131	-15	5	107,5	367	92,5	1,01	3,46	0,87	106,0	0,90	2,59		
return gas temp	-9,4	15	144,4	493	124,3	1,21	4,13	1,04	119,3	0,93	3,49		
RGT= 32/90	0	32	225,9	771	194,4	1,59	5,43	1,37	142,0	1,00	5,52		
liquid temp	4,4	40	273,4	934	235,3	1,79	6,12	1,54	152,5	1,03	6,73		
Tliq= 55/131	15	59	413,2	1411	355,6	2,34	8,00	2,02	176,4	1,12	10,38		

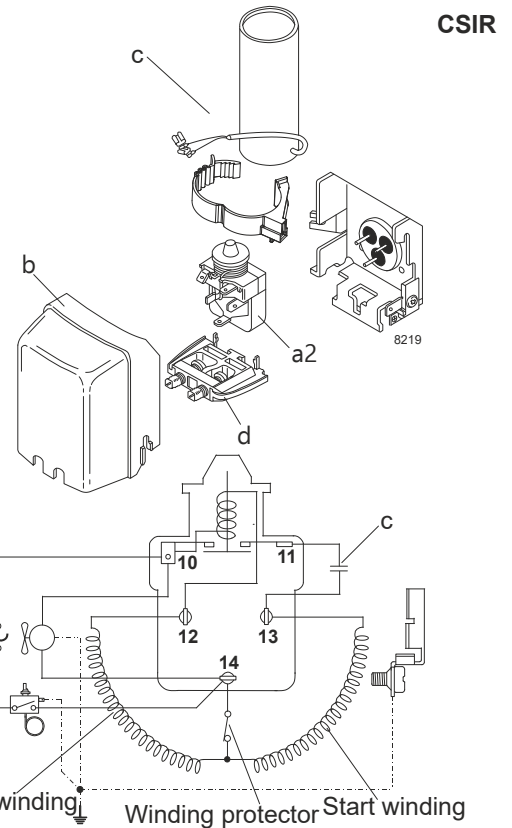
Model

Designation	TL4G	208-230V/60Hz	Conf. 2	Sales code:	102G4463
-------------	-------------	----------------------	----------------	-------------	-----------------

Configuration

Motorconfiguration	CSIR
Power supply (nominal)	208-230V/60Hz 1~
Refrigerant	R134a
Application	LBP
Voltage range	198-254V
Starting torque	HST
Approvals	VDE
	UL SA3693
	CCC

Electrical accessories / wiring diagram

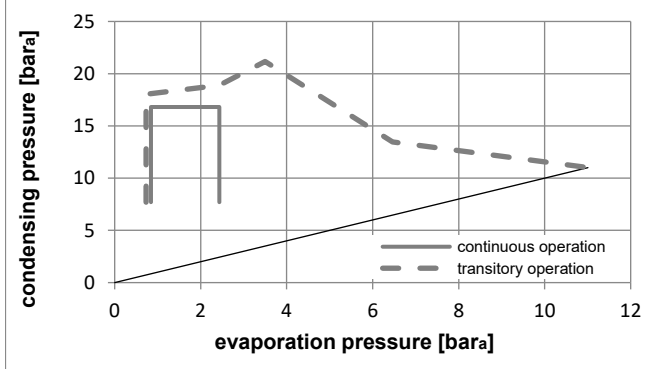
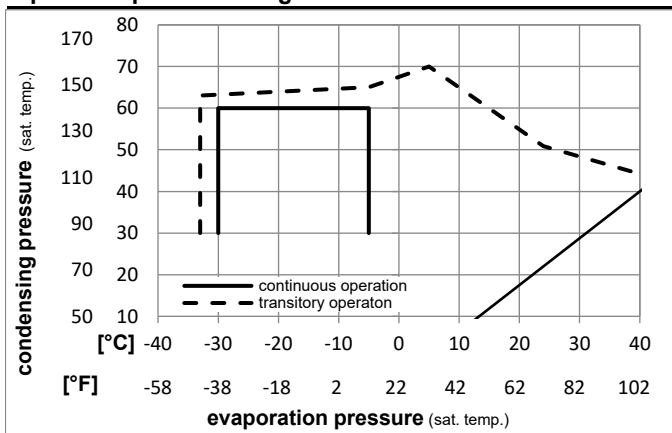


Ambient temperatures / system cooling

Ambient temperature min.:	10°C / 50°F
Ambient temperature max.:	43°C / 110°F

System cooling (n/a: outside limits)			
T ambient	LBP	MBP	HBP
32°C / 90°F	static	n/a	n/a
38°C / 100°F	static	n/a	n/a
43°C / 110°F	static	n/a	n/a

Operation pressure range



Components (already pre-assembled)

a2	current relay	117U6004
c	start capacitor (60μF)	117U5014
d	cord relief	103N1010
b	plastic cover	103N2011

Model

Designation **TL4G 208-230V/60Hz** Conf. **2** Sales code: **102G4463**

Optimization + standard conditions

208-230V/60Hz 1~, CSIR, static, VDE, UL, CCC

	Evaporating pressure (saturation temperature)				Condensing pressure (saturation temperature)						Power consumption			ASHRAE LBP
	pe	pc	RGT	Tliq	Cooling capacity			COP	EER	P1	I	Ref. mass flow		
	[°C]	[°C]	[°C]	[°C]	[W]	[Btu/h]	[kcal/h]	[W/W]	[Btu/Wh]	[kcal/Wh]	[W]	[A]	[kg/h]	
	-23,3	54,4	32,2	32,2	96,3	329	82,9	1,05	3,60	0,91	91,5	0,76	1,87	ASHRAE LBP
	[-10]	130	90	90										
	-25	55	32	55	69,5	238	59,9	0,80	2,73	0,69	86,8	0,74	1,66	cecomaf LBP
	[-13]	131	89,6	131										
	-35	40	20	40	48,3	165	41,5	0,70	2,38	0,60	69,4	0,69	1,06	EN12900 LBP
	[-31]	104	68	104										
	-6,66	54,4	35	46,1	215,8	737	185,7	1,48	5,06	1,27	145,7	0,94	4,71	ASHRAE MBP
	[20]	130	95	115										
	-10	55	32	55	165,6	565	142,5	1,23	4,20	1,06	134,5	0,90	4,00	cecomaf MBP
	[14]	131	89,6	131										
	-10	45	20	45	188,1	642	161,9	1,48	5,06	1,28	126,9	0,86	4,40	EN12900 MBP
	[14]	113	68	113										

Performance tables

208-230V/60Hz 1~, CSIR, static, VDE, UL, CCC

	pe	Cooling capacity			COP	EER	P1	I	m		
	[°C]	[°F]	[W]	[Btu/h]	[kcal/h]	[W/W]	[Btu/Wh]	[kcal/Wh]	[W]	[A]	[kg/h]
[°C / °F]	-30	-22	62,6	214	53,9	0,81	2,77	0,70	77,4	0,71	1,35
cond. pressure	-26,1	-15	81,1	277	69,8	0,94	3,22	0,81	86,1	0,73	1,76
pc= 45/113	-23,3	-10	96,3	329	82,9	1,04	3,55	0,89	92,7	0,75	2,09
return gas temp.	-20,6	-5	113,2	386	97,4	1,14	3,88	0,98	99,5	0,77	2,46
RGT= 32/90	-15	5	152,6	521	131,3	1,34	4,58	1,15	113,8	0,82	3,33
liquid temp	-9,4	15	200,3	684	172,4	1,56	5,33	1,34	128,3	0,87	4,39
Tliq= 45/113	-5	23	245,0	837	210,9	1,75	5,99	1,51	139,8	0,92	5,39
[°C / °F]	-30	-22	48,4	165	41,6	0,65	2,23	0,56	74,2	0,70	1,15
cond. pressure	-26,1	-15	64,4	220	55,5	0,77	2,62	0,66	83,9	0,73	1,54
pc= 55/131	-23,3	-10	77,7	265	66,9	0,85	2,90	0,73	91,5	0,76	1,86
return gas temp	-20,6	-5	92,5	316	79,6	0,93	3,17	0,80	99,7	0,78	2,22
RGT= 32/90	-15	5	127,5	435	109,7	1,09	3,71	0,93	117,4	0,84	3,07
liquid temp	-9,4	15	170,2	581	146,5	1,25	4,26	1,07	136,5	0,90	4,12
Tliq= 55/131	-5	23	210,6	719	181,3	1,38	4,72	1,19	152,4	0,96	5,12