



**EN 12900 Household (CECOMAF)**

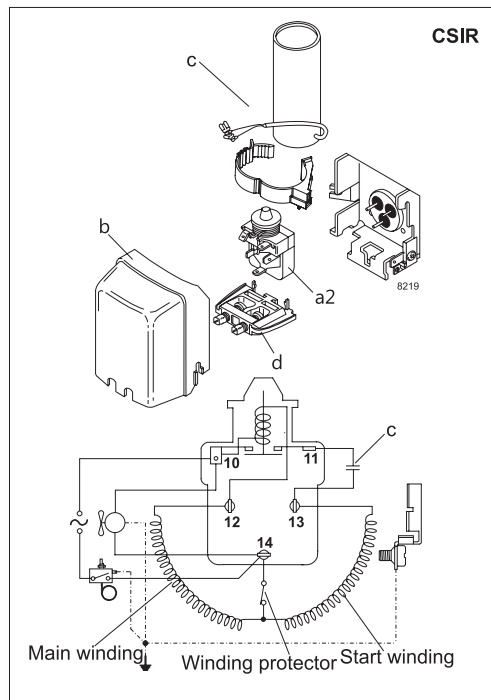
220V, 50Hz, fan cooling F<sub>2</sub>

Evap. temp. in °C	-45	-40	-35	-30	-25	-23.3	-20	-15	-10	-6.7	-5	0	5	7.2	10	15	20
Capacity in W	77	108	145	189	243	263	307	383	473	541	578						
Power cons. in W	126	152	180	210	242	253	276	313	353	380	395						
Current cons. in A	1.13	1.18	1.26	1.35	1.46	1.51	1.60	1.75	1.91	2.03	2.09						
COP in W/W	0.61	0.71	0.80	0.90	1.00	1.04	1.11	1.22	1.34	1.42	1.47						

**ASHRAE LBP\***

220V, 50Hz, fan cooling F<sub>2</sub>

Evap. temp. in °C	-45	-40	-35	-30	-25	-23.3	-20	-15	-10	-6.7	-5	0	5	7.2	10	15	20
Capacity in W	90	125	168	220	283	307	358	447	553	632	676						
Power cons. in W	126	152	180	210	242	253	276	313	353	380	395						
Current cons. in A	1.13	1.18	1.26	1.35	1.46	1.51	1.60	1.75	1.91	2.03	2.09						
COP in W/W	0.71	0.82	0.94	1.05	1.17	1.21	1.29	1.43	1.57	1.67	1.71						



Accessories for	FR6CL	Figure	Code number	Test conditions	EN 12900/CECOMAF	ASHRAE LBP*
PTC starting device	6.3 mm spade connectors	a1	–	Condensing temperature	45°C	45°C
	4.8 mm spade connectors		–	Ambient temperature	32°C	32°C
Starting relay	6.3 mm spade connectors	a2	117U6015	Suction gas temperature	32°C	32°C
Cover		b	103N2010	Liquid temperature	no subcooling	32°C
Start. capacitor 80 µF	6.3 mm spade connectors	c	117U5015			
Cord relief		d	103N1010			
Protection screen for PTC		g	–			
				<b>Mounting accessories</b>		<b>Code number</b>
				Bolt joint for one comp.	Ø: 16 mm	118-1917
				Bolt joint in quantities	Ø: 16 mm	118-1918
				Snap-on in quantities	Ø: 16 mm	118-1919

Secop accepts no responsibility for possible errors in catalogs, brochures, and other printed material. Secop reserves the right to alter its products without notice. This also applies to products already on order provided that such alterations can be made without subsequential changes being necessary to specifications already agreed. All trademarks in this material are the property of the respective companies. Secop and the Secop logotype are trademarks of Secop GmbH. All rights reserved. [www.secop.com](http://www.secop.com)