

GS21MLX MBP Compressor R404A/R507 208-230V 60Hz

General

Code number	107B0509
Approvals	UL984
Compressors on pallet	48

Application

Application	MBP			
	Hz	50	60	
Frequency	Hz	50	60	
Evaporating temperature	°C	-	-20 to 7.2	
Voltage range	V	-	187 - 254	
Max. condensing temperature continuous (short)	°C	-	50 (60)	
Max. winding temperature continuous (short)	°C	-	125 (135)	

Cooling requirements

Frequency	Hz	50			60		
		LBP	MBP	HBP	LBP	MBP	HBP
32°C		-	-	-	-	F ₂	-
38°C		-	-	-	-	F ₂	-
43°C		-	-	-	-	F ₂	-
Remarks on application:							

Motor

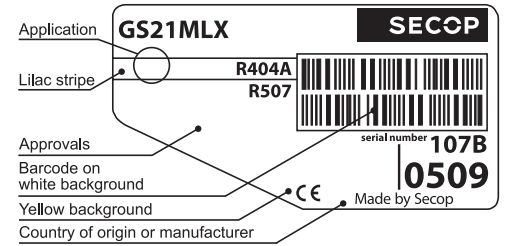
Motor type	CSR		
LRA (rated after 4 sec. UL984), HST LST	A	45.4	-
Cut in Current, HST LST	A	45.4	-
Resistance, main start winding (25°C)	Ω	1.4	5.8

Design

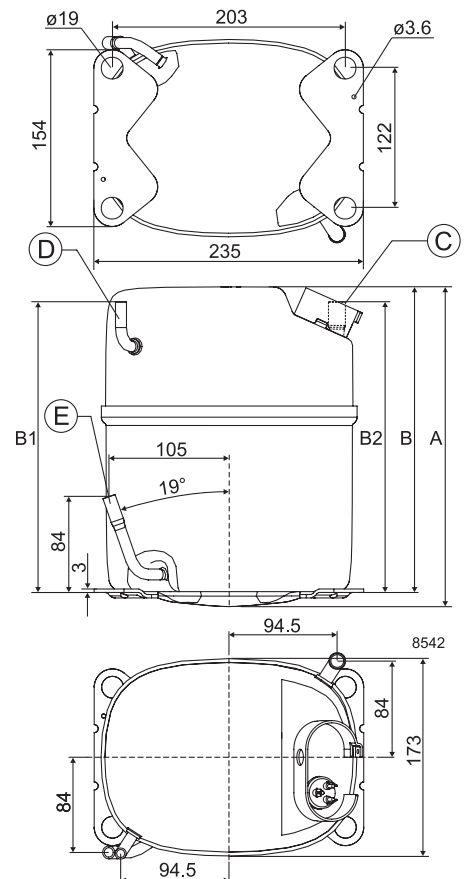
Displacement	cm ³	21.20
Oil quantity (type)	cm ³	900 (polyolester)
Maximum refrigerant charge	g	2000
Free gas volume in compressor	cm ³	3540
Weight without electrical equipment	kg	22.2

Dimensions

Height	mm	A	279
		B	267
		B1	254
		B2	254
Suction connector	location/I.D. mm angle	C	12.9 90°
	material comment		Copper Rubber plug
Process connector	location/I.D. mm angle	D	6.5 90°
	material comment		Copper Rubber plug
Discharge connector	location/I.D. mm angle	E	9.7 19°
	material comment		Copper Rubber plug
Oil cooler connector	location/I.D. mm angle	F	-
	material comment		-
Connector tolerance	I.D. mm		12.9±0.15, 9.7 ±0.05, 6.5 ±0.10
Remarks:			



- S = Static cooling normally sufficient
- O = Oil cooling
- F₁ = Fan cooling 1.5 m/s (compressor compartment temperature equal to ambient temperature)
- F₂ = Fan cooling 3.0 m/s necessary
- SG = Suction gas cooling normally sufficient
- = not applicable in this area



EN 12900

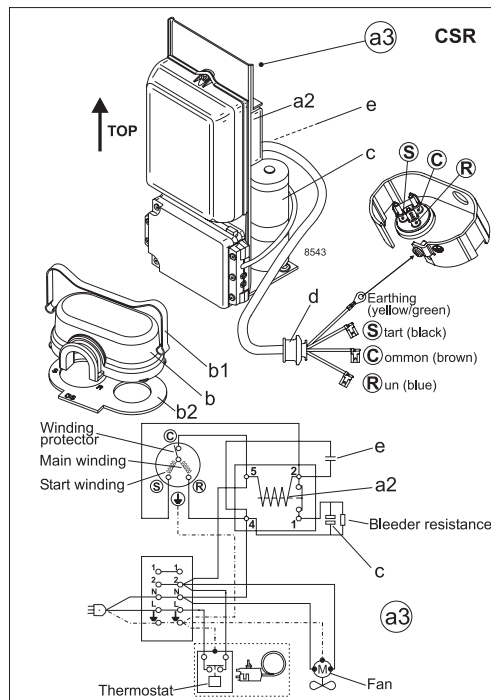
220V, 60Hz, fan cooling F₂

Evap. temp. in °C	-45	-40	-35	-30	-25	-23.3	-20	-15	-10	-6.7	-5	0	5	7.2	10	15	20
Capacity in W							1407	1775	2200	2519	2690	3252	3894	4204			
Power cons. in W							975	1078	1178	1244	1277	1375	1473	1517			
Current cons. in A							4.61	5.05	5.48	5.75	5.89	6.29	6.67	6.84			
COP in W/W							1.44	1.65	1.87	2.02	2.11	2.37	2.64	2.77			

ARI 540-99 (MBP)

220V, 60Hz, fan cooling F₂

Evap. temp. in °C	-45	-40	-35	-30	-25	-23.3	-20	-15	-10	-6.7	-5	0	5	7.2	10	15	20
Capacity in W							1205	1531	1905	2185	2335	2829					
Power cons. in W							987	1099	1207	1278	1314	1419					
Current cons. in A							4.65	5.13	5.59	5.89	6.04	6.47					
COP in W/W							1.22	1.39	1.58	1.71	1.78	1.99					



Accessories for GS21MLX	Figure	Code number	Test conditions	EN 12900	ARI 540-99 (MBP)
Starting device 600 mm cable length	a3	117-7073	Condensing temperature	45°C	48.9°C
			Ambient temperature	32°C	35°C
			Suction gas temperature	20°C	4.4°C
			Liquid temperature	no subcooling	no subcooling
Cover	b	107B9106 *)			
Clamp	b1	107B9104 *)			
Gasket	b2	107B9100 *)			
Starting relay	a2	Components of starting device	Mounting accessories		
Start. capacitor	c		Code number		
Run capacitor	e		107B9150		
*) Remarks: Cover, clamp, gasket parts of compressor			Bolt joint in quantities	-	
			Snap-on in quantities	-	

Nidec GA Compressors accepts no responsibility for possible errors in catalogs, brochures, and other printed material. Nidec GA Compressors reserves the right to alter its products without notice. This also applies to products already on order provided that such alterations can be made without consequential changes being necessary to specifications already agreed. All trademarks in this material are the property of the respective companies. Secop and the Secop logotype are trademarks of Nidec Global Appliance Germany GmbH. All rights reserved. www.secop.com