

HTK80AA KAPPA LBP Compressor Top Efficiency R600a 220-240V 50Hz

General

Code number	CDO00036
Approvals	EN 60335-2-34 w. Annex AA
Compressors on pallet	100

Application

Application	LBP		
Frequency	Hz	50	60
Evaporating temperature	°C	-35 to -5	-
Voltage range	V	187 to 264	-
Max. condensing temperature continuous (short)	°C	60 (70)	-
Max. winding temperature continuous (short)	°C	130 (130)	-

Cooling requirements

Frequency	Hz	50			60		
Application		LBP	MBP	HBP	LBP	MBP	HBP
32°C		S	-	-	-	-	-
38°C		S	-	-	-	-	-
43°C		S	-	-	-	-	-
Remarks on application:							

Motor

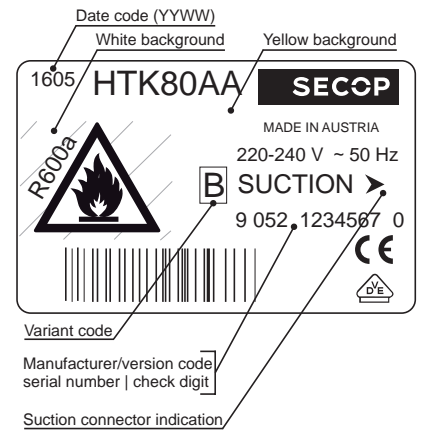
Motor type	RSCR/RSIR		
LRA (rated after 4 sec. UL984), HST LST	A	-	3.4
Cut in Current, HST LST	A	-	12.3
Resistance, main start winding (25°C)	Ω	26.4	16.7

Design

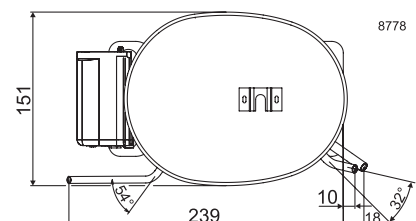
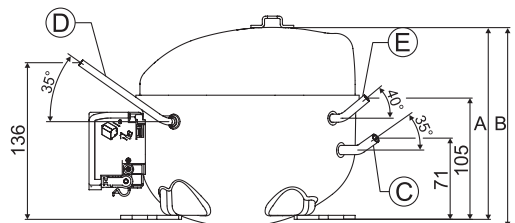
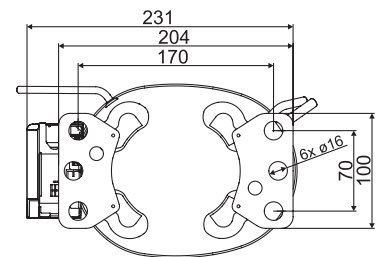
Displacement	cm ³	8.10
Oil quantity (type)	cm ³	165 (mineral)
Maximum refrigerant charge	g	150
Free gas volume in compressor	cm ³	1500
Weight without electrical equipment	kg	7.90

Dimensions

Height	mm	A	159.0
		B	165.5
Suction connector	location/I.D. mm angle	C	6.15 35°
	material comment		Copper Rubber plug
Process connector	location/O.D. mm angle	D	6.00 35°
	material comment		Copper Rubber plug
Discharge connector	location/I.D. mm angle	E	5.15 40°
	material comment		Copper Rubber plug
Oil cooler connector	location/I.D. mm angle	F	-
	material comment		-
Connector tolerance	I.D. mm		±0.05
Remarks:			



- S = Static cooling normally sufficient
- O = Oil cooling
- F₁ = Fan cooling 1.5 m/s
(compressor compartment temperature equal to ambient temperature)
- F₂ = Fan cooling 3.0 m/s necessary
- SG = Suction gas cooling normally sufficient
- = not applicable in this area



EN 12900 Household

220V, 50Hz, PTC consumption incl., static cooling

Evap. temp. in °C	-45	-40	-35	-30	-25	-23.3	-20	-15	-10	-6.7	-5	0	5	7.2	10	15	20
Capacity in W			54.9	75.7	102	112	133	170	212	243	259						
Power cons. in W			61.1	70.8	81.2	84.9	92.2	104	115	123	127						
Current cons. in A			0.39	0.46	0.51	0.53	0.56	0.61	0.65	0.68	0.70						
COP in W/W			0.90	1.07	1.25	1.32	1.44	1.64	1.84	1.98	2.05						

ASHRAE LBP

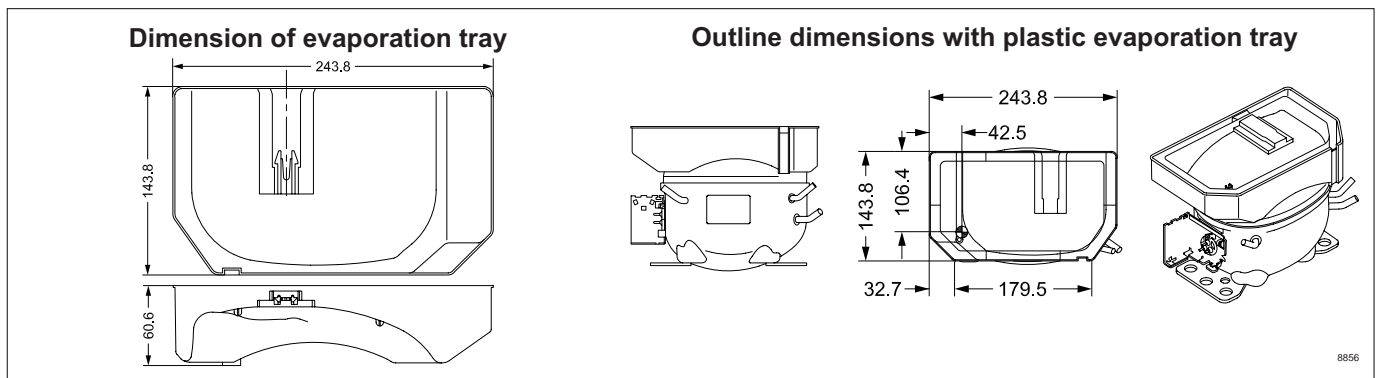
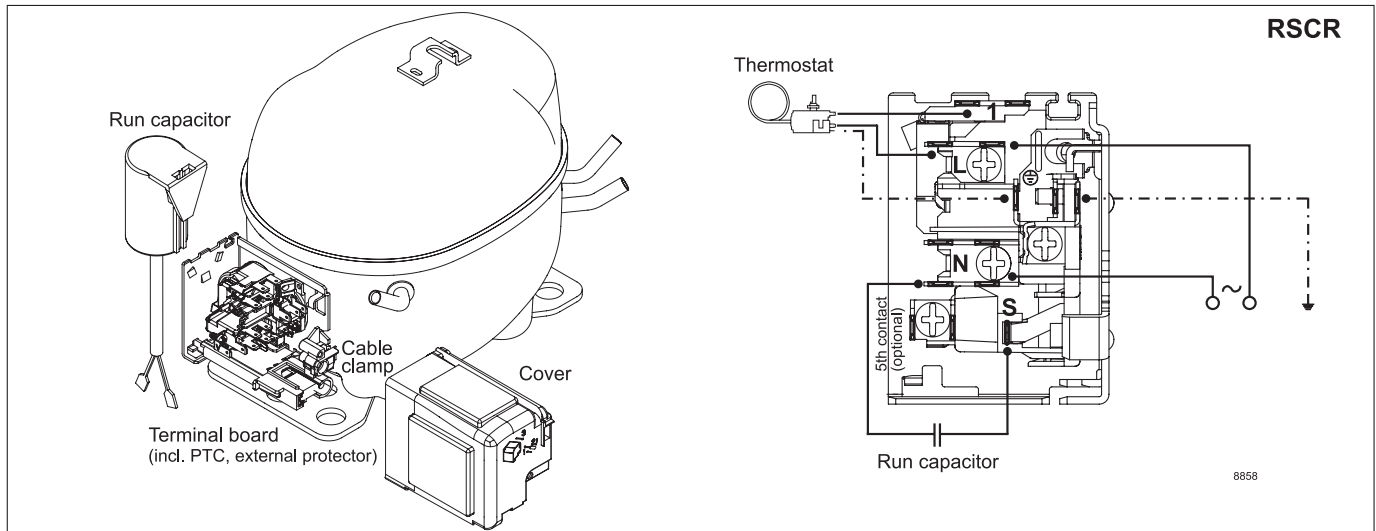
220V, 50Hz, PTC consumption incl., static cooling

Evap. temp. in °C	-45	-40	-35	-30	-25	-23.3	-20	-15	-10	-6.7	-5	0	5	7.2	10	15	20
Capacity in W			66.9	92.2	124	136	162	207	258	296	316						
Power cons. in W			61.1	70.6	80.9	84.5	91.7	103	114	122	125						
Current cons. in A			0.40	0.46	0.51	0.53	0.56	0.61	0.65	0.68	0.69						
COP in W/W			1.09	1.31	1.53	1.61	1.77	2.01	2.26	2.43	2.52						

ASHRAE LBP

220V, 50Hz, RC 3µF, PTC consumption incl., static cooling

Evap. temp. in °C	-45	-40	-35	-30	-25	-23.3	-20	-15	-10	-6.7	-5	0	5	7.2	10	15	20
Capacity in W			66.9	92.2	124	136	162	207	258	296	316						
Power cons. in W			59.1	68.5	78.5	82.1	89.1	100	111	119	123						
Current cons. in A			0.31	0.34	0.38	0.39	0.41	0.45	0.49	0.52	0.53						
COP in W/W			1.13	1.35	1.58	1.66	1.82	2.07	2.32	2.49	2.58						



Accessories for	HTK80AA	Code number
Run capacitor (optional)	4.8 mm or 6.3 mm spade connectors	3 µF
Terminal board (incl. PTC and external protector)	4.8 mm or 6.3 mm spade connectors	Z AFC / DAFC
Motor Protector	AE 15 BU x	FC
Cable clamp (screws not included)		113410_
Cover		157595_
Evaporation tray (optional)		113188_
All-in-one equipment, e.g. 4ZN		Code number
Cover / cable clamp + screws / earthing screw		16168000

Test conditions	EN 12900 Household	ASHRAE LBP
Condensing temperature	55°C	54.4°C
Ambient temperature	32°C	32.2°C
Suction gas temperature	32°C	32.2°C
Liquid temperature	no subcooling	32.2°C

Mounting accessories	Code number
on request, various options available	

Secop accepts no responsibility for possible errors in catalogs, brochures, and other printed material. Secop reserves the right to alter its products without notice. This also applies to products already on order provided that such alterations can be made without consequential changes being necessary to specifications already agreed. All trademarks in this material are the property of the respective companies. Secop and the Secop logotype are trademarks of Secop GmbH. All rights reserved. www.secop.com