

HXD35AA DELTA LBP Compressor Superior Efficiency R600a 220-240V 50Hz

General

| | |
|--|---------------------------|
| Code number (pre-assembled RSIR start equipment) | CDO00098 |
| Approvals | EN 60335-2-34 w. Annex AA |
| Compressors on pallet | 168 |

Application

| Application | LBP | | |
|--|-----|------------|----|
| Frequency | Hz | 50 | 60 |
| Evaporating temperature | °C | -35 to -5 | - |
| Voltage range | V | 187 to 264 | - |
| Max. condensing temperature continuous (short) | °C | 60 (70) | - |
| Max. winding temperature continuous (short) | °C | 120 (130) | - |

Cooling requirements

| Frequency | Hz | 50 | | | 60 | | |
|-------------------------|----|-----|-----|-----|-----|-----|-----|
| Application | | LBP | MBP | HBP | LBP | MBP | HBP |
| 32°C | | S | - | - | - | - | - |
| 38°C | | S | - | - | - | - | - |
| 43°C | | S | - | - | - | - | - |
| Remarks on application: | | | | | | | |

Motor

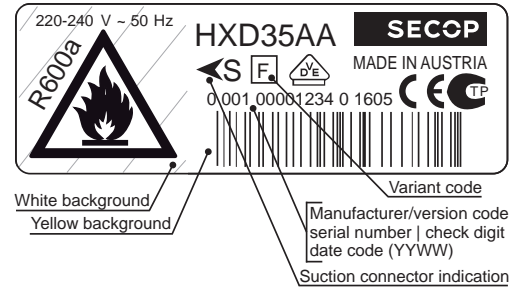
| Motor type | RSCR | | |
|---|------|------|------|
| LRA (rated after 4 sec. UL984), HST LST | A | - | 1.4 |
| Cut in Current, HST LST | A | - | 3.8 |
| Resistance, main start winding (25°C) | Ω | 83.4 | 64.6 |

Design

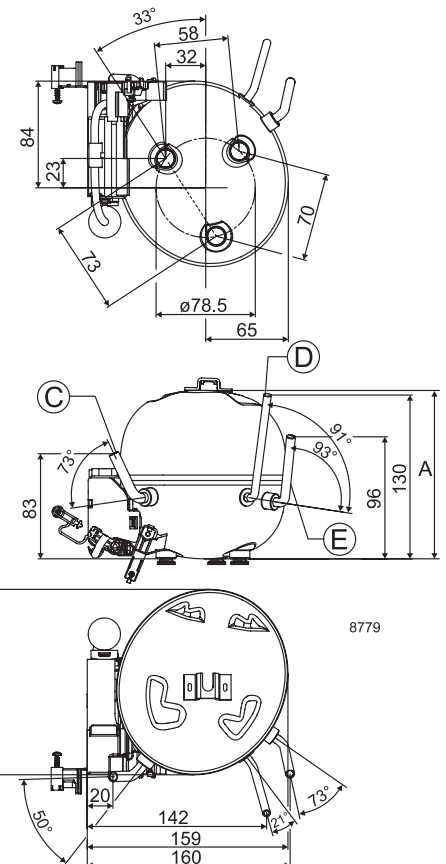
| | | |
|-------------------------------------|-----------------|--------------|
| Displacement | cm ³ | 3.5 |
| Oil quantity (type) | cm ³ | 84 (mineral) |
| Maximum refrigerant charge | g | 150 |
| Free gas volume in compressor | cm ³ | 837 |
| Weight without electrical equipment | kg | 3.7 |

Dimensions

| | | | |
|----------------------|--------------------------|-------------------------------|-----------|
| Height | mm | A | 133 |
| | | B | - |
| Suction connector | location/I.D. mm angle | C | 6.2 73° |
| | material comment | Copper Rubber plug | |
| Process connector | location/O.D. mm angle | D | 6.0 91° |
| | material comment | Copper Rubber plug | |
| Discharge connector | location/I.D. mm angle | E | 5.0 93° |
| | material comment | Cu-plated steel Rubber plug | |
| Oil cooler connector | location/I.D. mm angle | F | - |
| | material comment | - | |
| Connector tolerance | I.D. mm | | ±0.1 |
| Remarks: | | | |



- S = Static cooling normally sufficient
- O = Oil cooling
- F₁ = Fan cooling 1.5 m/s (compressor compartment temperature equal to ambient temperature)
- F₂ = Fan cooling 3.0 m/s necessary
- SG = Suction gas cooling normally sufficient
- = not applicable in this area



CECOMAF LBP

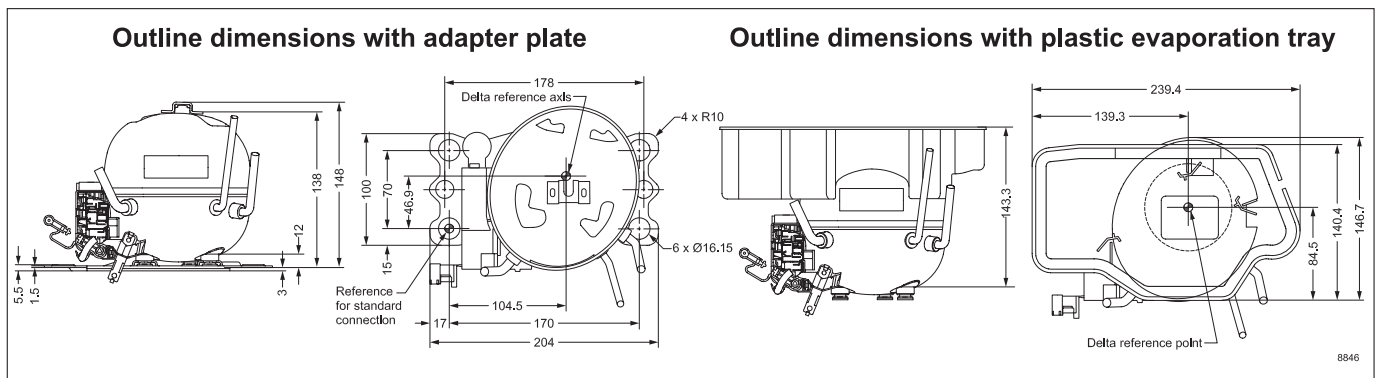
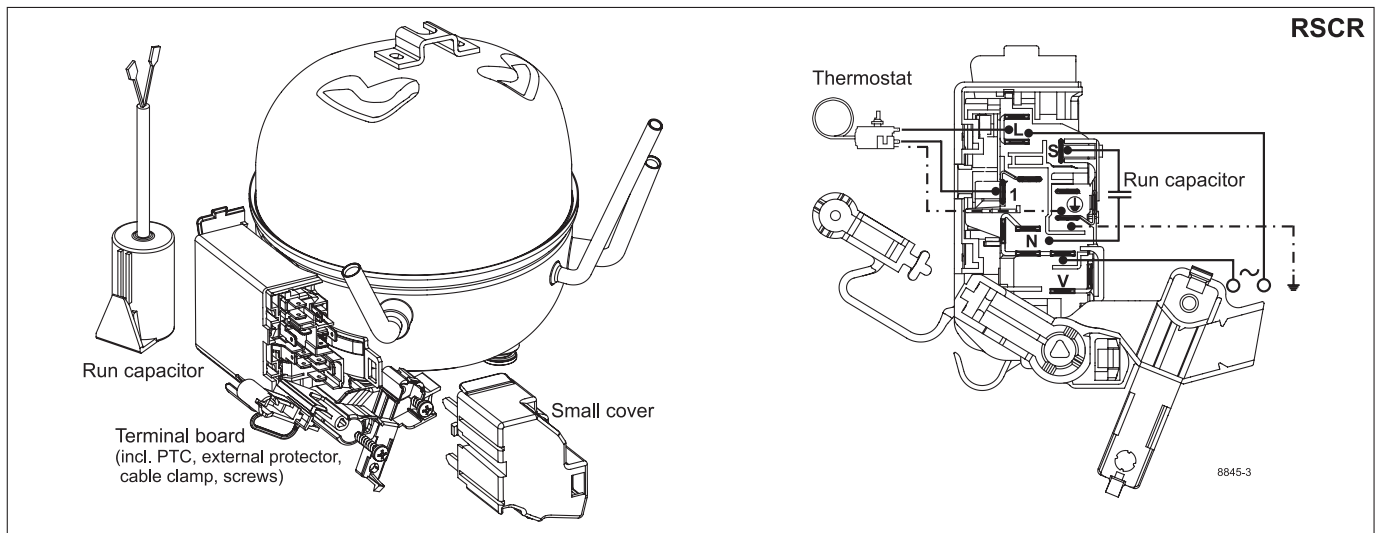
220V, 50Hz, RC 1.5µF, PTC consumption incl., static cooling

| | | | | | | | | | | | | | | | | | |
|--------------------|-----|-----|------|------|------|-------|------|------|------|------|------|---|---|-----|----|----|----|
| Evap. temp. in °C | -45 | -40 | -35 | -30 | -25 | -23.3 | -20 | -15 | -10 | -6.7 | -5 | 0 | 5 | 7.2 | 10 | 15 | 20 |
| Capacity in W | | | 24.6 | 25.6 | 49.7 | 54.9 | 65.8 | 84.9 | 107 | 124 | 133 | | | | | | |
| Power cons. in W | | | 25.6 | 26.6 | 29.7 | 31.0 | 33.5 | 37.6 | 42.1 | 45.4 | 47.3 | | | | | | |
| Current cons. in A | | | 0.12 | 0.14 | 0.16 | 0.16 | 0.17 | 0.19 | 0.21 | 0.23 | 0.23 | | | | | | |
| COP in W/W | | | 1.11 | 1.39 | 1.67 | 1.77 | 1.96 | 2.26 | 2.55 | 2.72 | 2.81 | | | | | | |

ASHRAE LBP

220V, 50Hz, RC 1.5µF, PTC consumption incl., static cooling

| | | | | | | | | | | | | | | | | | |
|--------------------|-----|-----|------|------|------|-------|------|------|------|------|------|---|---|-----|----|----|----|
| Evap. temp. in °C | -45 | -40 | -35 | -30 | -25 | -23.3 | -20 | -15 | -10 | -6.7 | -5 | 0 | 5 | 7.2 | 10 | 15 | 20 |
| Capacity in W | | | 27.2 | 39.9 | 55.1 | 60.8 | 73.0 | 94.2 | 119 | 137 | 147 | | | | | | |
| Power cons. in W | | | 22.1 | 26.0 | 29.7 | 31.0 | 33.5 | 37.6 | 42.1 | 45.4 | 47.2 | | | | | | |
| Current cons. in A | | | 0.12 | 0.14 | 0.16 | 0.16 | 0.17 | 0.19 | 0.21 | 0.23 | 0.23 | | | | | | |
| COP in W/W | | | 1.23 | 1.54 | 1.85 | 1.96 | 2.18 | 2.51 | 2.83 | 3.03 | 3.12 | | | | | | |



| Accessories for | HXD35AA | Code number |
|--|-------------------------|-------------|
| Run capacitor (compulsory) | 4.8 mm spade connectors | 1.5 µF |
| Small cover (compulsory, delivered separately) | | 160943_ |
| Adapter plate | | 157008_ |
| Evaporator tray | | 162531_ |

| Test conditions | CECOMAF LBP | ASHRAE LBP |
|-------------------------|---------------|------------|
| Condensing temperature | 45°C | 45°C |
| Ambient temperature | 32°C | 32.2°C |
| Suction gas temperature | 32°C | 32.2°C |
| Liquid temperature | no subcooling | 32.2°C |

| Spare parts for | HXD35AA | Code number |
|---|-------------------------|-------------|
| Terminal board (incl. PTC, external protector, cable clamp, screws) | 4.8 mm spade connectors | BN E7 |
| Motor protector | AE90AHM | E7 |

| Mounting accessories (for adapter plate) | Code number |
|--|-------------------|
| Bolt joint for one comp. | Ø: 16 mm 118-1917 |
| Bolt joint in quantities | Ø: 16 mm 118-1918 |
| Snap-on in quantities | Ø: 16 mm 118-1919 |

Nidec GA Compressors accepts no responsibility for possible errors in catalogs, brochures, and other printed material. Nidec GA Compressors reserves the right to alter its products without notice. This also applies to products already on order provided that such alterations can be made without consequential changes being necessary to specifications already agreed. All trademarks in this material are the property of the respective companies. Secop and the Secop logotype are trademarks of Nidec Global Appliance Germany GmbH. All rights reserved. www.secop.com