

## HXK12AT KAPPA Tropical Compressor Superior Efficiency R600a 200-240V 50Hz, 208-230V 60Hz

### General

Code number	CDO00138
Approvals	EN 60335-2-34 w. Annex AA
Compressors on pallet	100

### Application

Application	LBP		
Frequency	Hz	50	60
Evaporating temperature	°C	-35 to -10	-35 to -10
Voltage range	V	170 to 264	198 to 253
Max. condensing temperature continuous (short)	°C	65 (70)	65 (70)
Max. winding temperature continuous (short)	°C	120 (130)	120 (130)

### Cooling requirements

Frequency	Hz	50			60		
Application		LBP	MBP	HBP	LBP	MBP	HBP
32°C		S	-	-	S	-	-
38°C		S	-	-	S	-	-
43°C		S	-	-	S	-	-
Remarks on application:							

### Motor

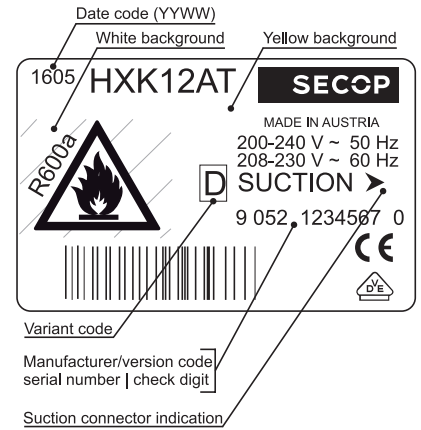
Motor type	RSCR/RSIR		
LRA (rated after 4 sec. UL984), HST   LST	A	-	6.6
Cut in Current, HST   LST	A	-	16.4
Resistance, main   start winding (25°C)	Ω	12.4	12.6

### Design

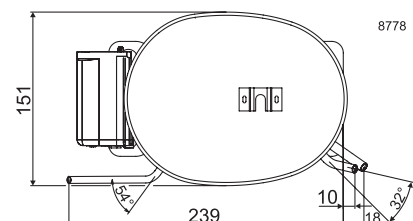
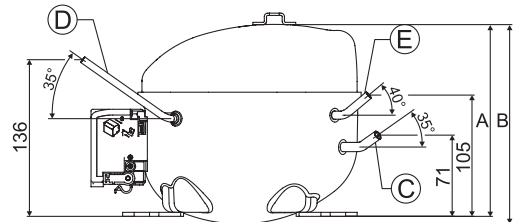
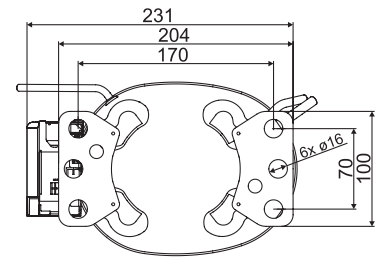
Displacement	cm <sup>3</sup>	11.10
Oil quantity (type)	cm <sup>3</sup>	165 (mineral)
Maximum refrigerant charge	g	150
Free gas volume in compressor	cm <sup>3</sup>	1560
Weight without electrical equipment	kg	8.90

### Dimensions

Height	mm	A	167.0
		B	173.5
Suction connector	location/I.D. mm   angle	C	6.15   35°
	material   comment	Cu-plated steel   Rubber plug	
Process connector	location/O.D. mm   angle	D	6.00   35°
	material   comment	Copper   Rubber plug	
Discharge connector	location/I.D. mm   angle	E	5.15   40°
	material   comment	Cu-plated steel   Rubber plug	
Oil cooler connector	location/I.D. mm   angle	F	-
	material   comment	-	
Connector tolerance	I.D. mm		±0.05
Remarks:			



- S = Static cooling normally sufficient
- O = Oil cooling
- F<sub>1</sub> = Fan cooling 1.5 m/s  
(compressor compartment temperature equal to ambient temperature)
- F<sub>2</sub> = Fan cooling 3.0 m/s necessary
- SG = Suction gas cooling normally sufficient
- = not applicable in this area



**EN 12900 Household**

200V, 50Hz, PTC consumption incl., static cooling

Evap. temp. in °C	-45	-40	-35	-30	-25	-23.3	-20	-15	-10	-6.7	-5	0	5	7.2	10	15	20
Capacity in W			94.1	117	150	163	191	242	301								
Power cons. in W			99.9	104	112	116	124	140	158								
Current cons. in A			0.57	0.58	0.61	0.63	0.66	0.73	0.82								
COP in W/W			0.94	1.13	1.34	1.41	1.54	1.73	1.91								

**EN 12900 Household**

200V, 50Hz, RC 4 µF, PTC consumption incl., static cooling

Evap. temp. in °C	-45	-40	-35	-30	-25	-23.3	-20	-15	-10	-6.7	-5	0	5	7.2	10	15	20
Capacity in W			95	119	151	164	193	244	304								
Power cons. in W			97.3	101	109	113	121	136	154								
Current cons. in A			0.55	0.56	0.59	0.61	0.64	0.71	0.79								
COP in W/W			0.98	1.17	1.39	1.46	1.60	1.80	1.98								

**ASHRAE LBP**

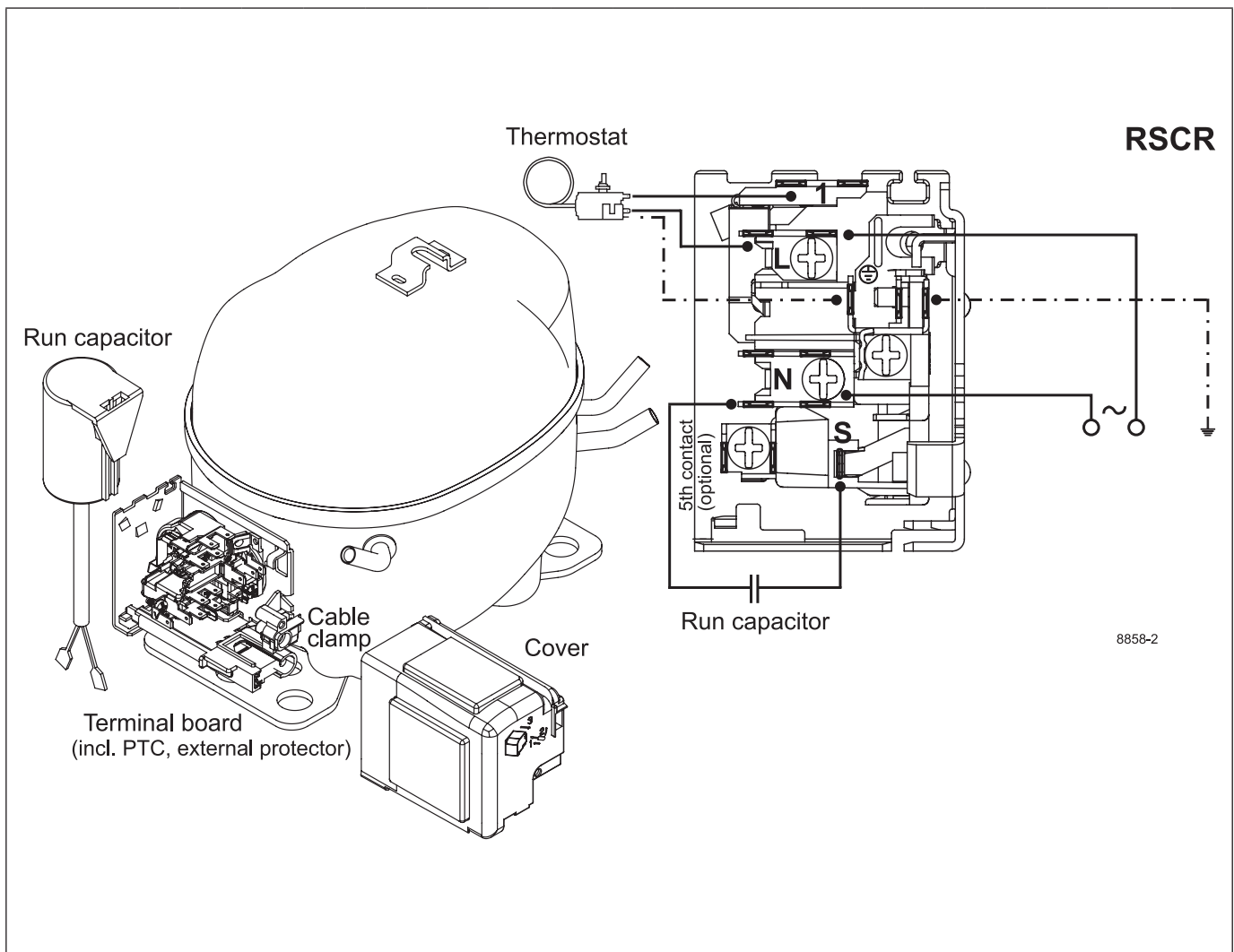
200V, 50Hz, PTC consumption incl., static cooling

Evap. temp. in °C	-45	-40	-35	-30	-25	-23.3	-20	-15	-10	-6.7	-5	0	5	7.2	10	15	20
Capacity in W			115	143	183	198	233	295	367								
Power cons. in W			99.6	104	112	115	123	139	157								
Current cons. in A			0.57	0.58	0.61	0.63	0.66	0.73	0.81								
COP in W/W			1.15	1.38	1.64	1.72	1.89	2.12	2.34								

**ASHRAE LBP**

200V, 50Hz, RC 4 µF, PTC consumption incl., static cooling

Evap. temp. in °C	-45	-40	-35	-30	-25	-23.3	-20	-15	-10	-6.7	-5	0	5	7.2	10	15	20
Capacity in W			116	145	184	200	235	298	371								
Power cons. in W			96.9	101	109	112	120	135	153								
Current cons. in A			0.55	0.56	0.59	0.6	0.64	0.7	0.78								
COP in W/W			1.20	1.44	1.70	1.79	1.96	2.20	2.43								



8858-2

**EN 12900 Household**

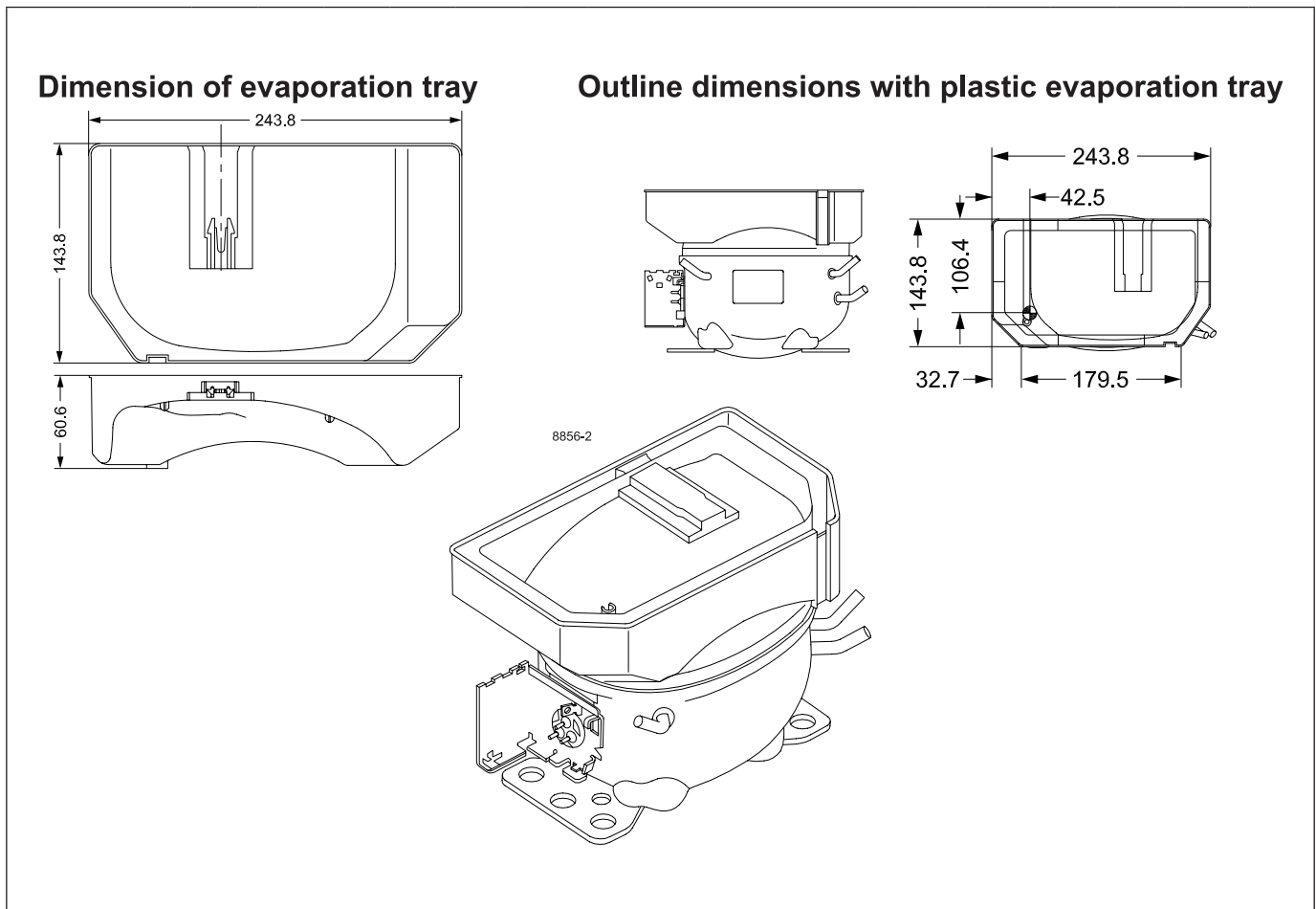
220V, 60Hz, RC 4 µF, PTC consumption incl., static cooling

Evap. temp. in °C	-45	-40	-35	-30	-25	-23.3	-20	-15	-10	-6.7	-5	0	5	7.2	10	15	20
Capacity in W			112	140	178	194	227	288	359								
Power cons. in W			115	120	130	134	144	162	184								
Current cons. in A			0.66	0.67	0.71	0.73	0.77	0.85	0.95								
COP in W/W			0.97	1.16	1.37	1.45	1.58	1.78	1.95								

**ASHRAE LBP**

220V, 60Hz, RC 4 µF, PTC consumption incl., static cooling

Evap. temp. in °C	-45	-40	-35	-30	-25	-23.3	-20	-15	-10	-6.7	-5	0	5	7.2	10	15	20
Capacity in W			137	170	217	236	277	350	437								
Power cons. in W			115	120	129	133	143	161	183								
Current cons. in A			0.66	0.67	0.71	0.72	0.77	0.85	0.95								
COP in W/W			1.19	1.43	1.68	1.77	1.94	2.18	2.39								



Accessories for	HXK12AT	Code number	Test conditions	EN 12900 Household	ASHRAE LBP
50 Hz: run capacitor (optional)	6.3 mm spade connectors	4 µF	Condensing temperature	55°C	54.4°C
60 Hz: run capacitor (compulsory)	6.3 mm spade connectors	4 µF	Ambient temperature	32°C	32°C
Terminal board	6.3 mm spade connectors	DCFP	Suction gas temperature	32°C	32°C
(incl. PTC and external protector)			Liquid temperature	no subcooling	32°C
Motor protector	AE 72 FU x	FP			
Cable clamp (screws not included)		11341000			
Cover		15759500			
Evaporation tray (optional)		11318802			
<b>All-in-one equipment, e.g. 4ZN</b>		<b>Code number</b>	<b>Mounting accessories</b>	<b>Code number</b>	
Cover / cable clamp + screws / earthing screw		16168000	on request, various options available		

Nidec GA Compressors accepts no responsibility for possible errors in catalogs, brochures, and other printed material. Nidec GA Compressors reserves the right to alter its products without notice. This also applies to products already on order provided that such alterations can be made without consequential changes being necessary to specifications already agreed. All trademarks in this material are the property of the respective companies. Secop and the Secop logotype are trademarks of Nidec Global Appliance Germany GmbH. All rights reserved. [www.secop.com](http://www.secop.com)