

HXK87AT KAPPA Tropical Compressor Superior Efficiency R600a 200-240V 50Hz, 208-230V 60Hz

General

Code number	CDO00136
Approvals	EN 60335-2-34 w. Annex AA
Compressors on pallet	100

Application

Application	LBP		
Frequency	Hz	50	60
Evaporating temperature	°C	-35 to -10	-35 to -10
Voltage range	V	170 to 264	198 to 253
Max. condensing temperature continuous (short)	°C	65 (70)	65 (70)
Max. winding temperature continuous (short)	°C	120 (130)	120 (130)

Cooling requirements

Frequency	Hz	50			60		
Application		LBP	MBP	HBP	LBP	MBP	HBP
32°C		S	-	-	S	-	-
38°C		S	-	-	S	-	-
43°C		S	-	-	S	-	-
Remarks on application:							

Motor

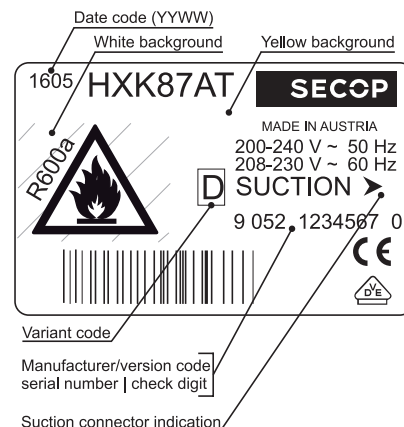
Motor type	RSCR/RSIR		
LRA (rated after 4 sec. UL984), HST LST	A	-	6.6
Cut in Current, HST LST	A	-	12.8
Resistance, main start winding (25°C)	Ω	19.6	11.5

Design

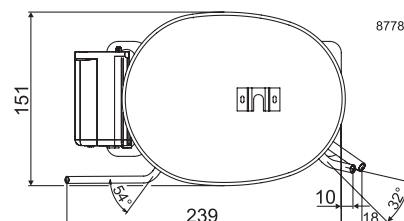
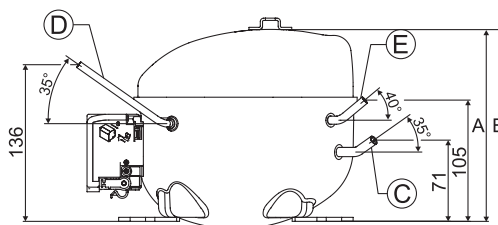
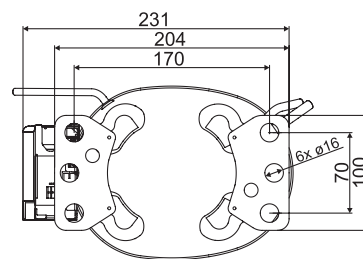
Displacement	cm ³	8.80
Oil quantity (type)	cm ³	165 (mineral)
Maximum refrigerant charge	g	150
Free gas volume in compressor	cm ³	1620
Weight without electrical equipment	kg	8.60

Dimensions

Height	mm	A	167.0
		B	173.5
Suction connector	location/I.D. mm angle	C	6.15 35°
	material comment	Cu-plated steel Rubber plug	
Process connector	location/O.D. mm angle	D	6.00 35°
	material comment	Copper Rubber plug	
Discharge connector	location/I.D. mm angle	E	5.15 40°
	material comment	Cu-plated steel Rubber plug	
Oil cooler connector	location/I.D. mm angle	F	-
	material comment	-	
Connector tolerance	I.D. mm		±0.05
Remarks:			



- S = Static cooling normally sufficient
- O = Oil cooling
- F₁ = Fan cooling 1.5 m/s
(compressor compartment temperature equal to ambient temperature)
- F₂ = Fan cooling 3.0 m/s necessary
- SG = Suction gas cooling normally sufficient
- = not applicable in this area



EN 12900 Household

200V, 50Hz, PTC consumption incl., static cooling

Evap. temp. in °C	-45	-40	-35	-30	-25	-23.3	-20	-15	-10	-6.7	-5	0	5	7.2	10	15	20
Capacity in W			72.2	90.1	116	126	149	188	233								
Power cons. in W			70.4	78.7	88.7	92.5	100	112	125								
Current cons. in A			0.26	0.37	0.45	0.48	0.52	0.57	0.62								
COP in W/W			1.03	1.15	1.31	1.37	1.49	1.68	1.87								

EN 12900 Household

200V, 50Hz, RC 4 µF, PTC consumption incl., static cooling

Evap. temp. in °C	-45	-40	-35	-30	-25	-23.3	-20	-15	-10	-6.7	-5	0	5	7.2	10	15	20
Capacity in W			72.2	90.1	116	126	149	188	233								
Power cons. in W			67.2	75.1	84.7	88.3	95.6	107	119								
Current cons. in A			0.25	0.36	0.43	0.46	0.49	0.55	0.59								
COP in W/W			1.07	1.20	1.37	1.43	1.56	1.76	1.96								

ASHRAE LBP

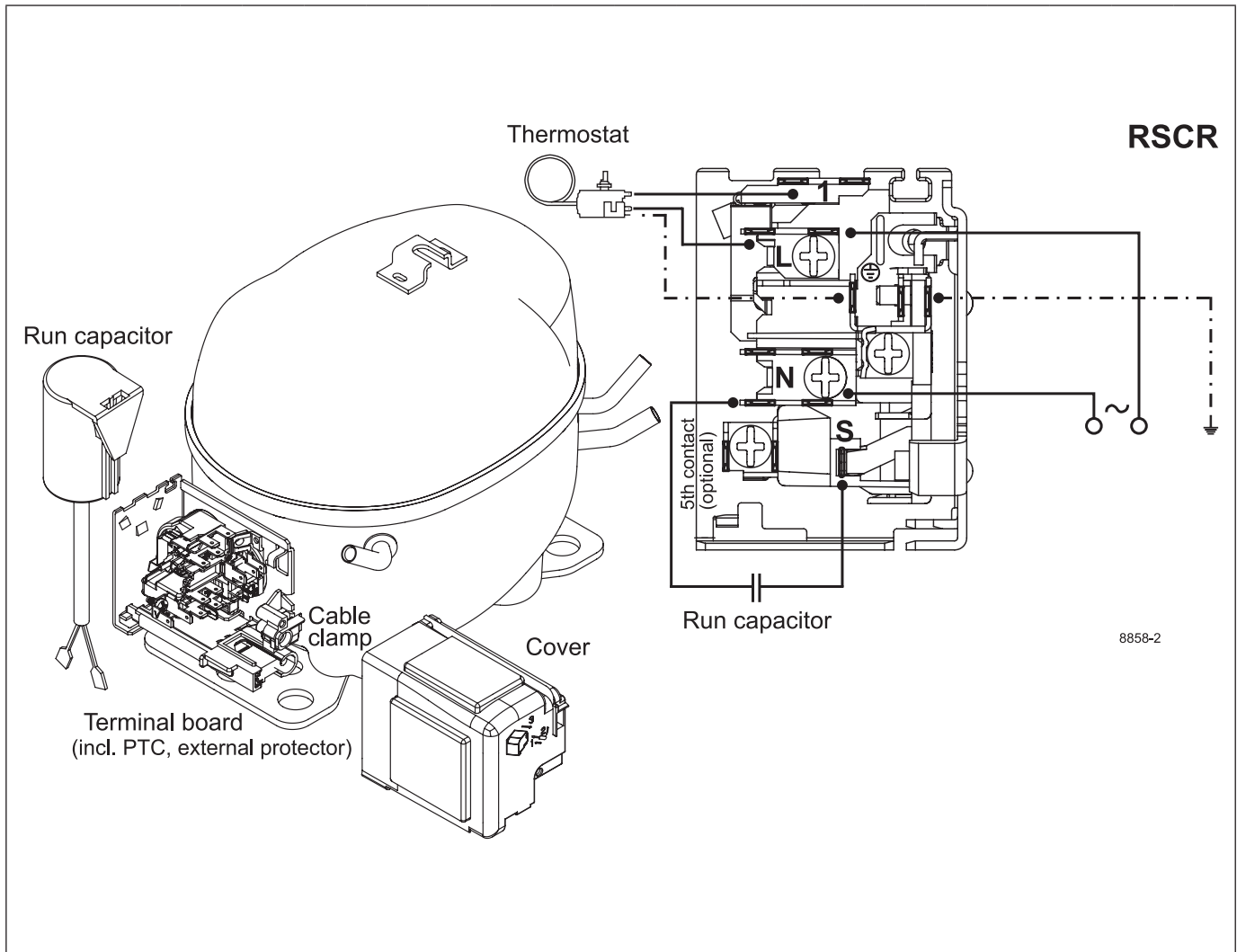
200V, 50Hz, PTC consumption incl., static cooling

Evap. temp. in °C	-45	-40	-35	-30	-25	-23.3	-20	-15	-10	-6.7	-5	0	5	7.2	10	15	20
Capacity in W			88.6	110	141	154	181	229	284								
Power cons. in W			70.4	78.6	88.5	92.2	99.7	112	124								
Current cons. in A			0.27	0.37	0.45	0.48	0.52	0.57	0.62								
COP in W/W			1.26	1.40	1.60	1.67	1.82	2.05	2.29								

ASHRAE LBP

200V, 50Hz, RC 4 µF, PTC consumption incl., static cooling

Evap. temp. in °C	-45	-40	-35	-30	-25	-23.3	-20	-15	-10	-6.7	-5	0	5	7.2	10	15	20
Capacity in W			88.6	110	141	154	181	229	284								
Power cons. in W			67.3	75	84.5	88	95.2	107	118								
Current cons. in A			0.25	0.36	0.43	0.45	0.49	0.54	0.59								
COP in W/W			1.32	1.47	1.67	1.75	1.91	2.15	2.40								



EN 12900 Household

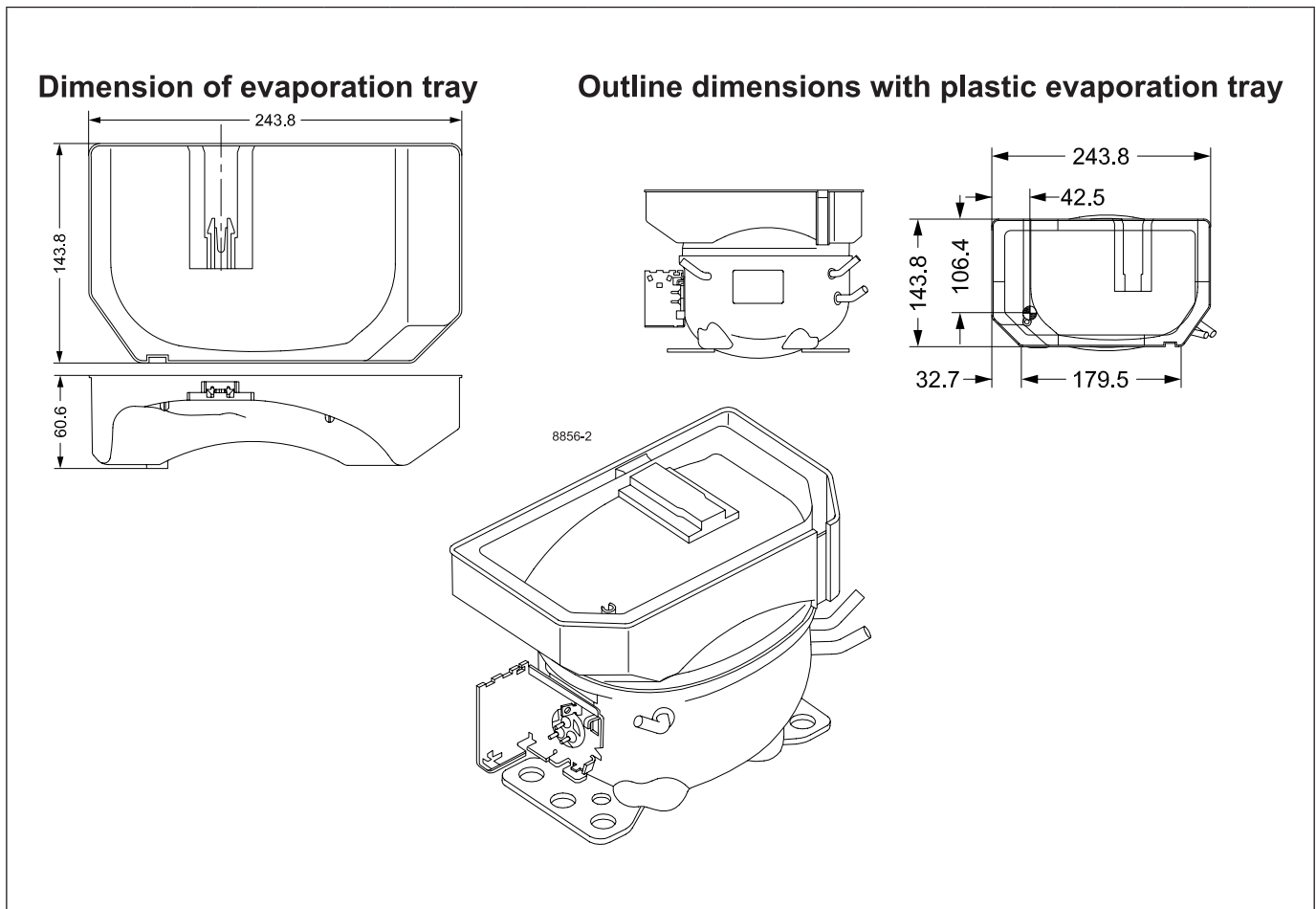
220V, 60Hz, RC 4 µF, PTC consumption incl., static cooling

Evap. temp. in °C	-45	-40	-35	-30	-25	-23.3	-20	-15	-10	-6.7	-5	0	5	7.2	10	15	20
Capacity in W			87	108	138	151	178	224	278								
Power cons. in W			79.3	88.7	100	104	113	126	140								
Current cons. in A			0.30	0.42	0.51	0.54	0.58	0.64	0.70								
COP in W/W			1.10	1.22	1.38	1.45	1.57	1.77	1.98								

ASHRAE LBP

220V, 60Hz, RC 4 µF, PTC consumption incl., static cooling

Evap. temp. in °C	-45	-40	-35	-30	-25	-23.3	-20	-15	-10	-6.7	-5	0	5	7.2	10	15	20
Capacity in W			107	132	169	184	216	274	339								
Power cons. in W			79.4	88.6	99.7	104	112	126	140								
Current cons. in A			0.30	0.42	0.51	0.54	0.58	0.64	0.70								
COP in W/W			1.35	1.49	1.69	1.77	1.93	2.17	2.43								



Accessories for	HXK87AT	Code number	Test conditions	EN 12900 Household	ASHRAE LBP
50 Hz: run capacitor (optional)	6.3 mm spade connectors	4 µF	Condensing temperature	55°C	54.4°C
60 Hz: run capacitor (compulsory)	6.3 mm spade connectors	4 µF	Ambient temperature	32°C	32°C
Terminal board	6.3 mm spade connectors	DCFC	Suction gas temperature	32°C	32°C
(incl. PTC and external protector)			Liquid temperature	no subcooling	32°C
Motor protector	AE 15 BU x	FC			
Cable clamp (screws not included)		11341000			
Cover		15759500			
Evaporation tray (optional)		11318802			
All-in-one equipment, e.g. 4ZN		Code number	Mounting accessories	Code number	
Cover / cable clamp + screws / earthing screw		16168000	on request, various options available		

Nidec GA Compressors accepts no responsibility for possible errors in catalogs, brochures, and other printed material. Nidec GA Compressors reserves the right to alter its products without notice. This also applies to products already on order provided that such alterations can be made without subsequential changes being necessary to specifications already agreed. All trademarks in this material are the property of the respective companies. Secop and the Secop logotype are trademarks of Nidec Global Appliance Germany GmbH. All rights reserved. www.secop.com