

HXK95AA KAPPA LBP Compressor Superior Efficiency R600a 220-240V 50Hz

General

Code number	CDO00085
Approvals	EN 60335-2-34 w. Annex AA
Compressors on pallet	100

Application

Application	LBP		
Frequency	Hz	50	60
Evaporating temperature	°C	-35 to -5	-
Voltage range	V	187 to 264	-
Max. condensing temperature continuous (short)	°C	60 (70)	-
Max. winding temperature continuous (short)	°C	130 (130)	-

Cooling requirements

Frequency	Hz	50			60		
Application		LBP	MBP	HBP	LBP	MBP	HBP
32°C		S	-	-	-	-	-
38°C		S	-	-	-	-	-
43°C		S	-	-	-	-	-
Remarks on application:							

Motor

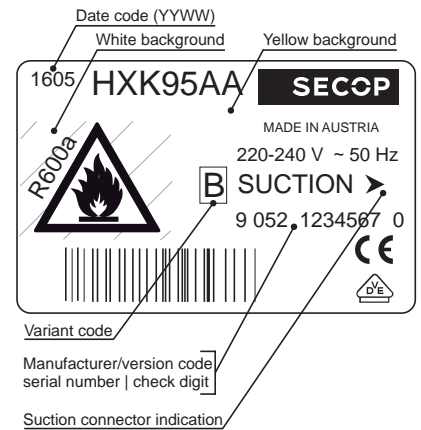
Motor type	RSCR		
LRA (rated after 4 sec. UL984), HST LST	A	-	3.8
Cut in Current, HST LST	A	-	11.6
Resistance, main start winding (25°C)	Ω	22,4	15,3

Design

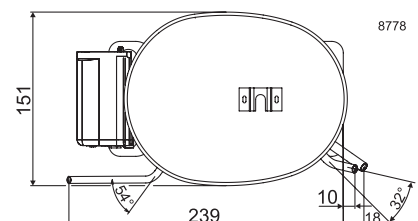
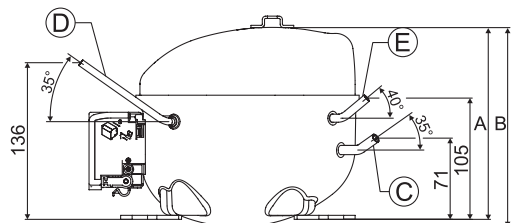
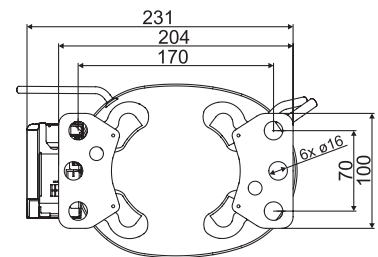
Displacement	cm ³	9.6
Oil quantity (type)	cm ³	165 (mineral)
Maximum refrigerant charge	g	150
Free gas volume in compressor	cm ³	1560
Weight without electrical equipment	kg	8.60

Dimensions

Height	mm	A	167.0
		B	173.5
Suction connector	location/I.D. mm angle	C	6.15 35°
	material comment		Copper Rubber plug
Process connector	location/O.D. mm angle	D	6.00 35°
	material comment		Copper Rubber plug
Discharge connector	location/I.D. mm angle	E	5.15 40°
	material comment		Copper Rubber plug
Oil cooler connector	location/I.D. mm angle	F	-
	material comment		-
Connector tolerance	I.D. mm		±0.05
Remarks:			



- S = Static cooling normally sufficient
- O = Oil cooling
- F₁ = Fan cooling 1.5 m/s
(compressor compartment temperature equal to ambient temperature)
- F₂ = Fan cooling 3.0 m/s necessary
- SG = Suction gas cooling normally sufficient
- = not applicable in this area



EN 12900 Household

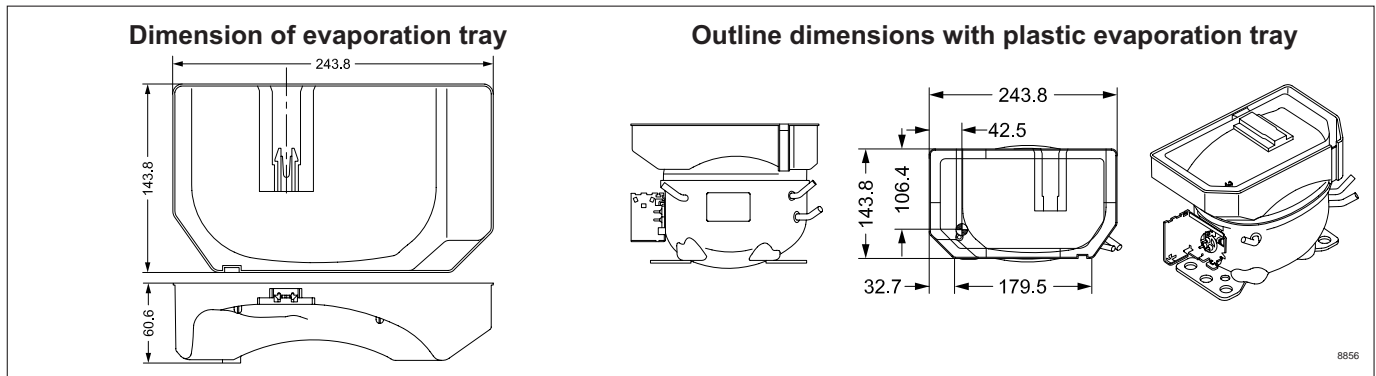
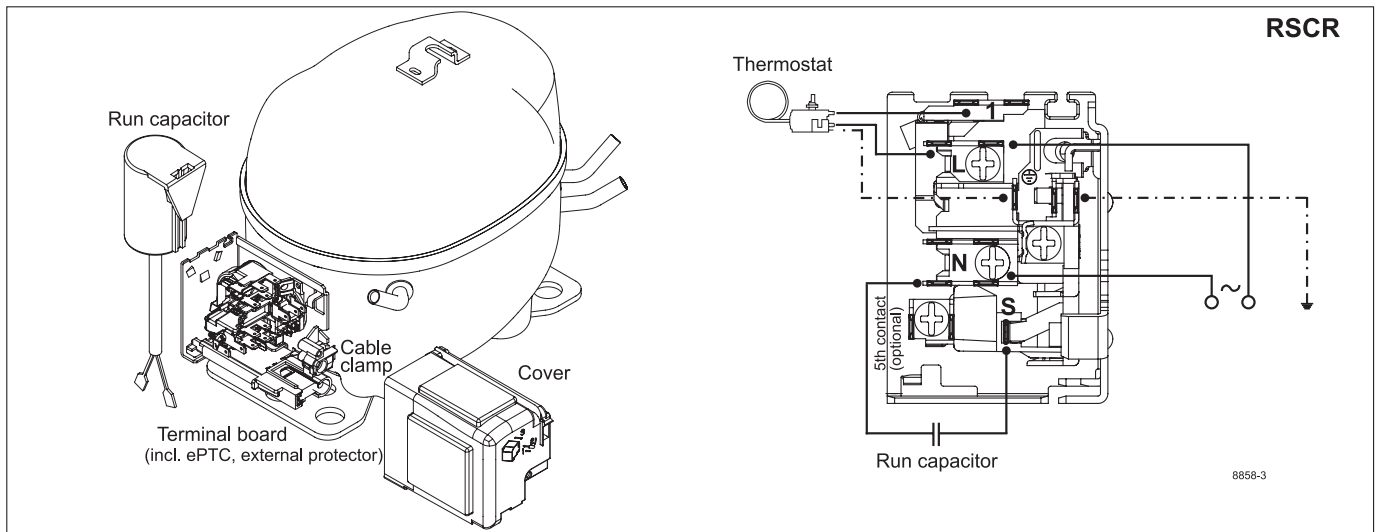
220V, 50Hz, RC 4µF, ePTC consumption incl., static cooling (alternative use of PTC +2W)

Evap. temp. in °C	-45	-40	-35	-30	-25	-23.3	-20	-15	-10	-6.7	-5	0	5	7.2	10	15	20
Capacity in W			72.9	97.7	129	140	166	208	257	292	312						
Power cons. in W			64.0	74.1	85.6	89.8	98.3	112	126	135	140						
Current cons. in A			0.32	0.35	0.39	0.40	0.43	0.47	0.52	0.57	0.59						
COP in W/W			1.14	1.32	1.50	1.56	1.68	1.87	2.04	2.16	2.22						

ASHRAE LBP

220V, 50Hz, RC 4µF, ePTC consumption incl., static cooling (alternative use of PTC +2W)

Evap. temp. in °C	-45	-40	-35	-30	-25	-23.3	-20	-15	-10	-6.7	-5	0	5	7.2	10	15	20
Capacity in W			88.8	119	157	171	202	254	313	356	380						
Power cons. in W			63.9	73.9	85.4	89.5	97.9	111	125	134	139						
Current cons. in A			0.32	0.35	0.39	0.40	0.43	0.47	0.52	0.56	0.59						
COP in W/W			1.39	1.61	1.84	1.91	2.06	2.28	2.50	2.65	2.72						



Accessories for	HXK95AA	Code number	Test conditions	EN 12900 Household	ASHRAE LBP
Run capacitor (compulsory)	4.8 mm or 6.3 mm spade connectors	4 µF	Condensing temperature	55°C	54.4°C
Terminal board (incl. ePTC and external protector)	4.8 mm spade connectors	ZX F5	Ambient temperature	32°C	32.2°C
Terminal board (incl. PTC and external protector)	6.3 mm spade connectors	DA F5	Suction gas temperature	32°C	32.2°C
Motor Protector	AE18 FU x	F5	Liquid temperature	no subcooling	32.2°C
Cable clamp (screws not included)		113410_			
Cover		157595_			
Evaporation tray (optional)		113188_			
All-in-one equipment, e.g. 4ZN		Code number	Mounting accessories	Code number	
Cover / cable clamp + screws / earthing screw		16168000	on request, various options available		

Nidec GA Compressors accepts no responsibility for possible errors in catalogs, brochures, and other printed material. Nidec GA Compressors reserves the right to alter its products without notice. This also applies to products already on order provided that such alterations can be made without subsequential changes being necessary to specifications already agreed. All trademarks in this material are the property of the respective companies. Secop and the Secop logotype are trademarks of Nidec Global Appliance Germany GmbH. All rights reserved. www.secop.com