

## HXK95AT KAPPA Tropical Compressor Superior Efficiency R600a 200-240V 50Hz

### General

Code number	CDO00123
Approvals	EN 60335-2-34 w. Annex AA
Compressors on pallet	100

### Application

Application	LBP		
Frequency	Hz	50	60
Evaporating temperature	°C	-35 to -10	-
Voltage range	V	170 to 264	-
Max. condensing temperature continuous (short)	°C	65 (70)	-
Max. winding temperature continuous (short)	°C	130 (130)	-

### Cooling requirements

Frequency	Hz	50			60		
Application		LBP	MBP	HBP	LBP	MBP	HBP
32°C		S	-	-	-	-	-
38°C		S	-	-	-	-	-
43°C		S	-	-	-	-	-
Remarks on application:							

### Motor

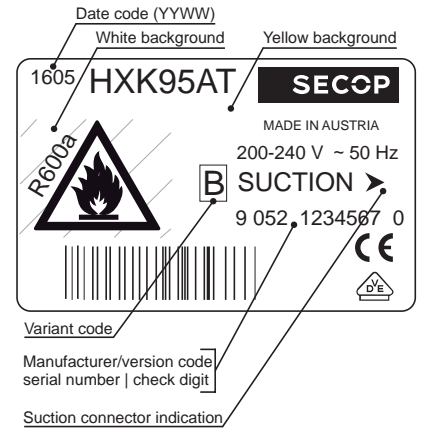
Motor type	RSCR/RSIR		
LRA (rated after 4 sec. UL984), HST   LST	A	-	6.0
Cut in Current, HST   LST	A	-	17.2
Resistance, main   start winding (25°C)	Ω	15.8	10.1

### Design

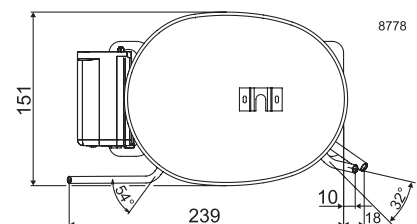
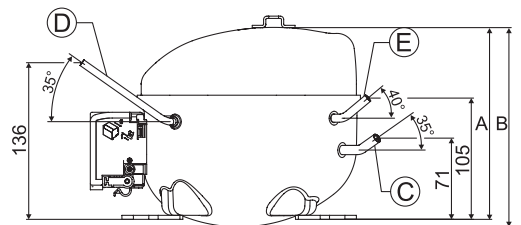
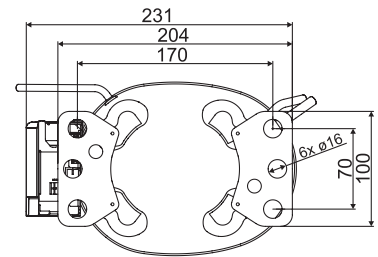
Displacement	cm <sup>3</sup>	9.60
Oil quantity (type)	cm <sup>3</sup>	165 (mineral)
Maximum refrigerant charge	g	150
Free gas volume in compressor	cm <sup>3</sup>	1560
Weight without electrical equipment	kg	8.6

### Dimensions

Height	mm	A	167.0
		B	173.5
Suction connector	location/I.D. mm   angle	C	6.15   35°
	material   comment		Cu-plated steel   Rubber plug
Process connector	location/O.D. mm   angle	D	6.00   35°
	material   comment		Copper   Rubber plug
Discharge connector	location/I.D. mm   angle	E	5.15   40°
	material   comment		Cu-plated steel   Rubber plug
Oil cooler connector	location/I.D. mm   angle	F	-
	material   comment		-
Connector tolerance	I.D. mm		±0.05
Remarks:			



- S = Static cooling normally sufficient
- O = Oil cooling
- F<sub>1</sub> = Fan cooling 1.5 m/s (compressor compartment temperature equal to ambient temperature)
- F<sub>2</sub> = Fan cooling 3.0 m/s necessary
- SG = Suction gas cooling normally sufficient
- = not applicable in this area



**EN 12900 Household**

200V, 50Hz, PTC consumption incl., static cooling

Evap. temp. in °C	-45	-40	-35	-30	-25	-23.3	-20	-15	-10	-6.7	-5	0	5	7.2	10	15	20
Capacity in W			60.4	95.2	130	142	167	209	256								
Power cons. in W			57.7	81.3	99.2	104	113	125	137								
Current cons. in A			0.41	0.50	0.57	0.59	0.62	0.67	0.72								
COP in W/W			1.05	1.17	1.31	1.37	1.48	1.66	1.86								

**ASHRAE LBP**

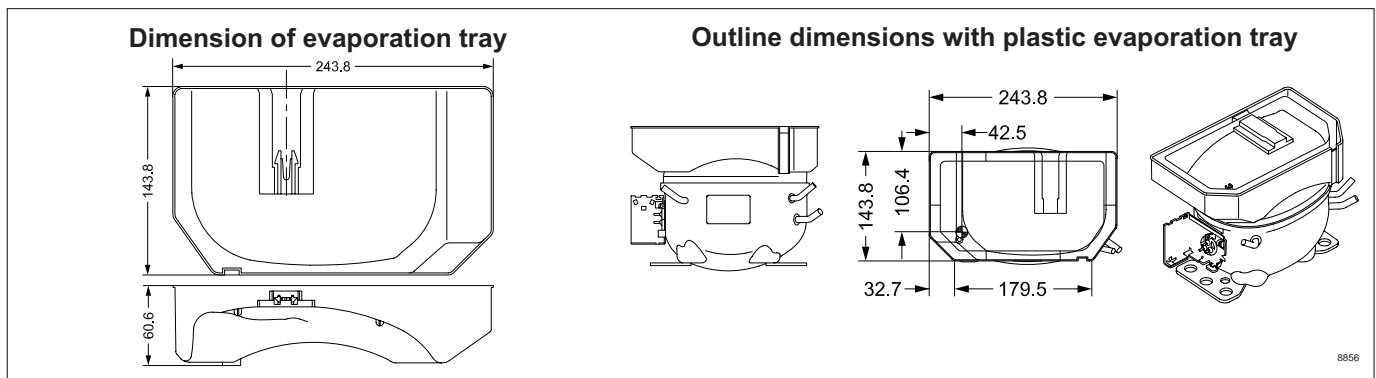
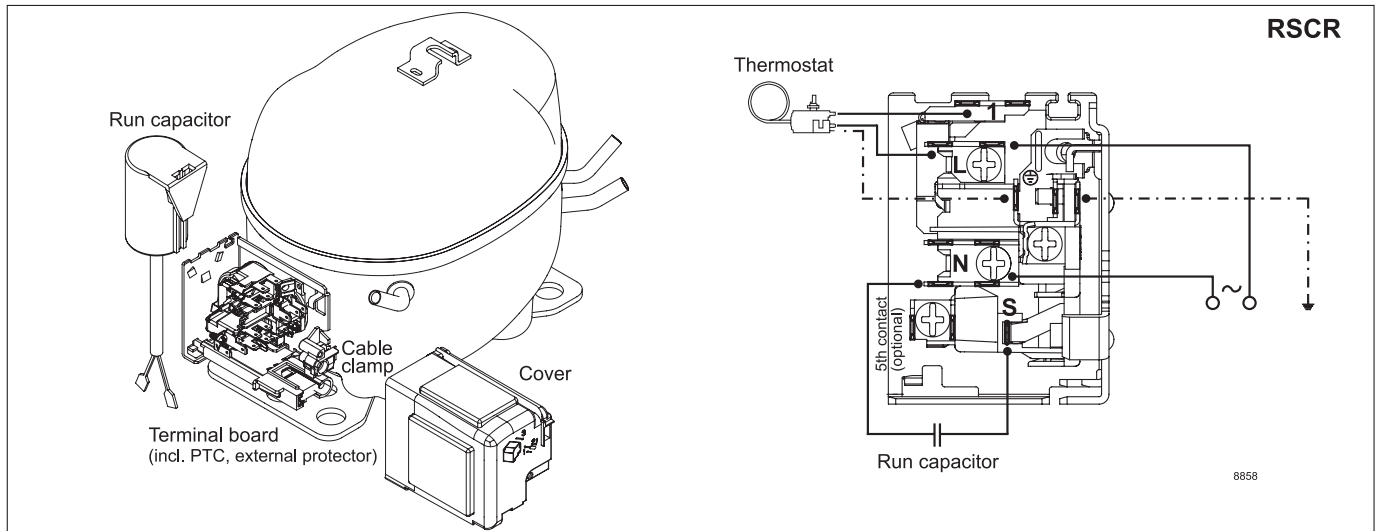
200V, 50Hz, PTC consumption incl., static cooling

Evap. temp. in °C	-45	-40	-35	-30	-25	-23.3	-20	-15	-10	-6.7	-5	0	5	7.2	10	15	20
Capacity in W			75.8	117	159	174	204	254	312								
Power cons. in W			58.4	81.5	99	104	113	125	136								
Current cons. in A			0.41	0.50	0.56	0.58	0.62	0.67	0.72								
COP in W/W			1.30	1.44	1.61	1.67	1.81	2.04	2.28								

**ASHRAE LBP**

200V, 50Hz, RC 4 µF, PTC consumption incl., static cooling

Evap. temp. in °C	-45	-40	-35	-30	-25	-23.3	-20	-15	-10	-6.7	-5	0	5	7.2	10	15	20
Capacity in W			75.8	117	159	174	204	254	312								
Power cons. in W			55.7	77.8	94.5	99.2	108	119	130								
Current cons. in A			0.39	0.47	0.54	0.56	0.59	0.64	0.69								
COP in W/W			1.36	1.51	1.68	1.75	1.89	2.13	2.39								



Accessories for	HXK95AT	Code number
Run capacitor (optional)	6.3 mm spade connectors	4 µF
Terminal board (incl. PTC and external protector)	6.3 mm spade connectors	DAFP
Motor protector	AE 72 FU x	FP
Cable clamp (screws not included)		11341000
Cover		15759500
Evaporation tray (optional)		11318802
All-in-one equipment, e.g. 4ZN		Code number
Cover / cable clamp + screws / earthing screw		16168000

Test conditions	EN 12900 Household	ASHRAE LBP
Condensing temperature	55°C	54.4°C
Ambient temperature	32°C	32°C
Suction gas temperature	32°C	32°C
Liquid temperature	no subcooling	32°C

Mounting accessories	Code number
on request, various options available	

Nidec GA Compressors accepts no responsibility for possible errors in catalogs, brochures, and other printed material. Nidec GA Compressors reserves the right to alter its products without notice. This also applies to products already on order provided that such alterations can be made without consequential changes being necessary to specifications already agreed. All trademarks in this material are the property of the respective companies. Secop and the Secop logotype are trademarks of Nidec Global Appliance Germany GmbH. All rights reserved. [www.secop.com](http://www.secop.com)